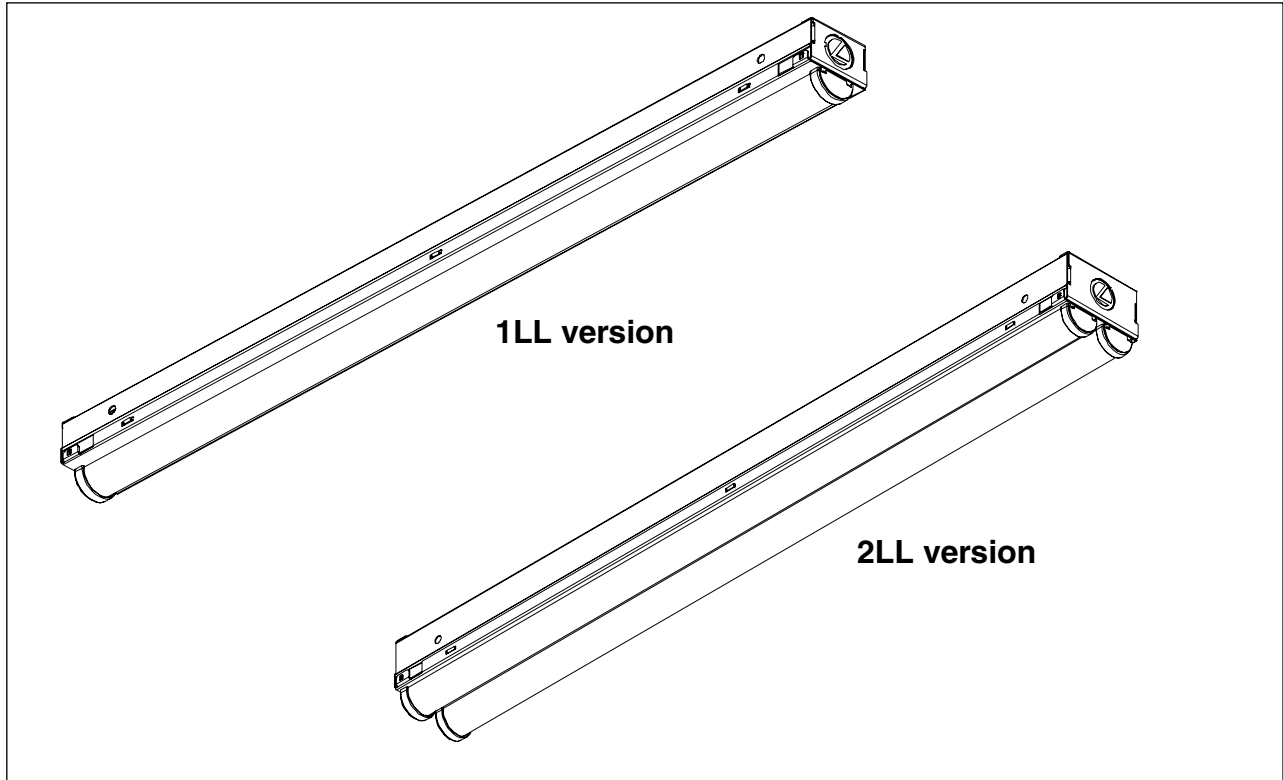


# LED Strip



Model Number

**CMNS**

This fixture can be Ceiling, Wall or Suspended mounted.

This product comes with a:  
**FIVE YEAR LIMITED WARRANTY**  
Register your warranty on  
[www.lightahome.com/warranty](http://www.lightahome.com/warranty)  
Your prompt product registration confirms your right to the protection available  
under the terms and conditions of your Lithonia Lighting warranty.



**Protect yourself.** Before installing,  
read these instructions carefully and  
save them for future reference.

**Date Installed:** \_\_\_\_\_

# INSTALLATION FIGURES

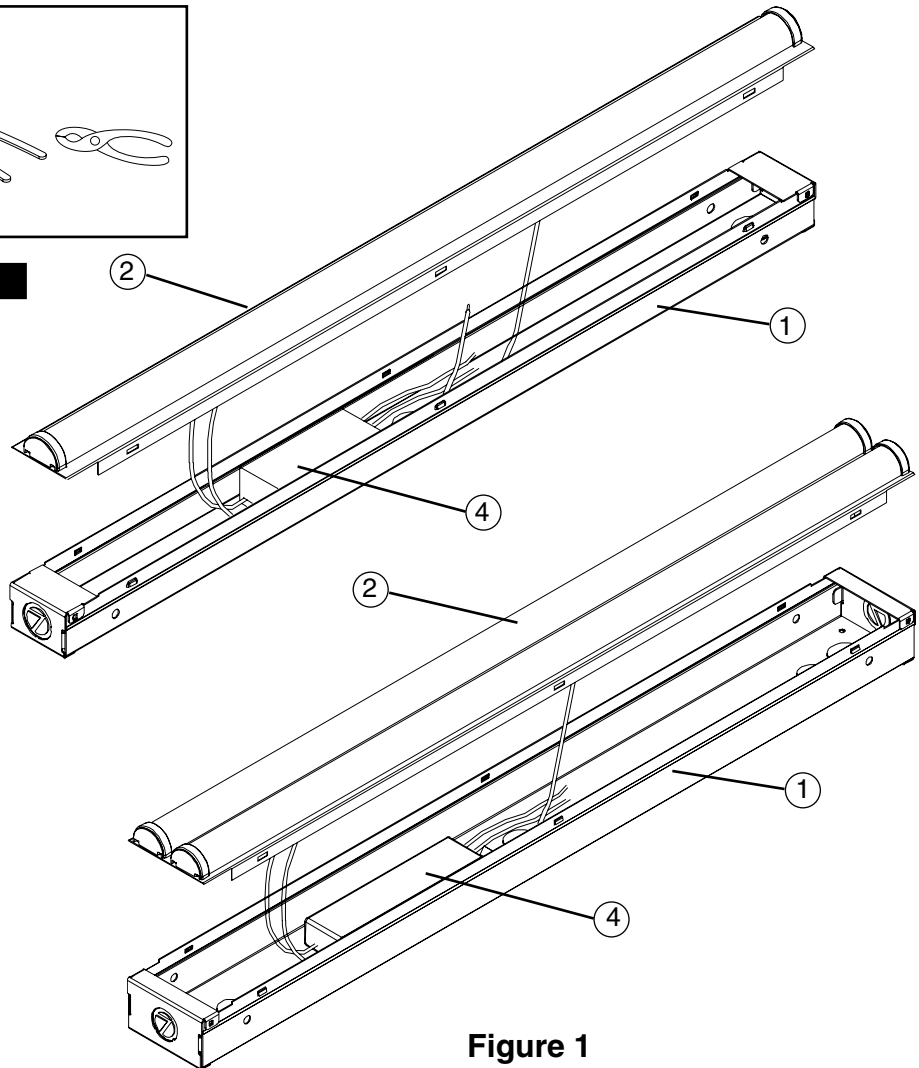
## REQUIRED TOOLS



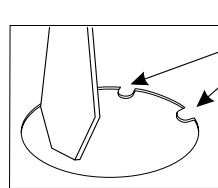
## FIXTURE PACKING LIST

Description	Quantity
1) Housing Assembly .....	1
2) Wireway Cover Assembly .....	1
2) Wireway Cover Assembly (L96 2LL)..	2
3) Wirenuts* .....	3
4) LED Driver.....	1
5) Alignment Bracket- 2LL only.....	1
6) Bracket Screw- 2LL only.....	2

\*Contained in Part Packs

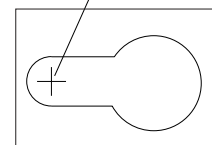


**Figure 1**



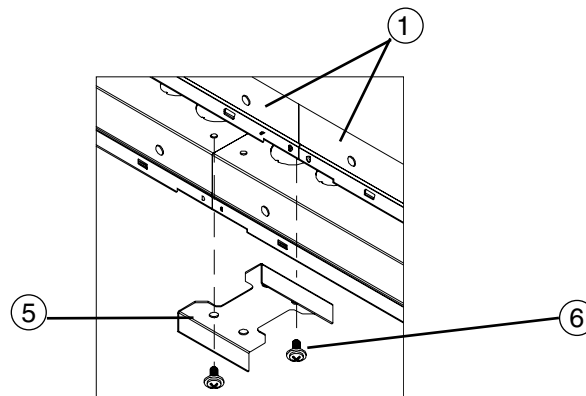
**Figure 2**

Retaining Tabs



**Figure 3**

Screw Hole Location



**Figure 4**

## IMPORTANT SAFETY INSTRUCTIONS

- Fixture can NOT be used with a dimmer switch.
- To reduce the risk of death, personal injury or property damage from fire, electric shock, falling parts, cuts/abrasions, and other hazards read all warnings and instructions included with and on the the fixture box and all fixture labels.
- Before installing, servicing, or performing routine maintenance upon this equipment, follow these general precautions.
- Commercial installation, service and maintenance of luminaires should be performed by a qualified licensed electrician.
- For Residential installation: If you are unsure about the installation or maintenance of the luminaires, con-sult a qualified licensed electrician and check your local electrical code.
- DO NOT INSTALL DAMAGED PRODUCT!
- Recycle: For information on how to recycle LED electronic products, please visit [www.epa.gov](http://www.epa.gov).
- This fixture should not be used in areas with limited ventilation or high ambient temperatures.
- This fixture is intended to be connected to a properly installed and grounded UL listed junction box.
- These instructions do not purport to cover all details or variations in equipment nor to provide every possible contingency to meet in connection with installation, operation, or maintenance. Should further information be desired or should particular problems arise which are not covered sufficiently for the purchaser's or owner's purpose, this matter should be referred to Acuity Brands Lighting, Inc.



### WARNING: RISK OF ELECTRICALSHOCK

- Turn off electrical power at fuse or circuit breaker box before wiring fixture to the power supply.
- Turn off the power when you perform any maintenance
- Verify that supply voltage is correct by comparing it with the luminaire label information.
- Make all electrical and grounded connections in accordance with the National Electrical Code and any applicable local code requirements.
- All wiring connections should be capped with UL approved wire connectors.



### CAUTION: RISK OF INJURY

- Wear gloves and safety glasses at all times when removing luminaire from carton, installing, servicing or performing maintenance.
- Avoid direct eye exposure to the light source while it is on.
- Account for small parts and destroy packing material, as these may be hazardous to children.



### WARNING: RISK OF BURN

- Allow fixture to cool before handling. Do not touch enclosure or light source.
- Do not exceed maximum wattage marked on lumi-naire label.
- Follow all lamp manufacturer's warnings, recom-mendations and restrictions for: driver type, burning position, mounting locations/methods, replacement, and recycling.
- Use only lamps that comply with ANSI standards.



### CAUTION: RISK OF FIRE

- Keep combustible and other materials that can burn away from luminaire and lamp/lens.
- Minimum 90° C supply conductors.

## STEP-BY-STEP GUIDE

1. Remove fixture components and parts pack(s). Check that all parts are included. **See Fig. 1.**

Note: Turn off power at circuit breaker box!

2. **Remove Wireway Cover (2) by lifting upward** on exposed edges of part. Start in the middle and work outward.

3. **Determine appropriate knockout** on Housing assembly (1) for removal in relationship to incoming power supply. (Knockouts are located on each end and back of the fixture.)

### **To remove knockouts:**

Place standard screwdriver on edge of circle (on opposite side from retaining tabs) and gently strike with hammer. Grip edge with pliers and flex back and forth until removed.

**See Fig. 2.**

4. **If using romex strain relief bushing**, install the bushing into the open hole.
5. **Insert house power supply cable** through open hole or strain relief bushing.
6. **Position the Fixture Housing (1) against** the mounting surface and with a pencil, mark the screw hole locations to be located at the narrow section of the keyholes. **See Fig. 3.**
7. **Using a drill with a 1/16" drill bit**, make two small pilot holes at the marked screw hole locations. If drill bit does not encounter a stud or wood surface, use toggle bolts or suitable fastener depending on structural conditions. If drill bit does encounter wood surface, use #10 wood screw.
8. **Partially install the Mounting Screws.** Position the Fixture Housing against the mounting surface with the screw heads through the keyhole mounting holes. Slide the fixture until the screw heads are through the narrow section of the key holes. Finish tightening the screws to secure the fixture against the mounting surface.

### **For Continuous Row installation (2LL versions only)**

9. **Remove endplate from Housing assembly (1)** to install alignment bracket.
10. **With fixtures installed end to end-** install bracket (5) with two screws (6) provided. One screw per fixture as noted in **Fig. 4.**

### **WIRING AND FIXTURE OPERATION CAUTION:** **Connect fixture to supply wires rated for at least 90°C (194°F).**

**Do not use fixture on dimming circuits.**

11. **Cut supply cable to desired length.** Strip black and white wire leads with wire strippers to expose 3/8"-7/16" of bare metal.
12. **Using Wirenuts (3) provided, connect supply** (house) wires to fixture wires - white to white, black to black, and green to green or bare copper ground wire.
13. **Bundle wires in tight grouping to be** out of the way and reinstall Wireway Cover assembly (2)

### **Trouble Shooting Guide**

If this fixture fails to operate properly, use the guide below to diagnose and correct the problem.

- Verify that fixture is wired properly.
- Verify that fixture is grounded correctly.
- The line voltage at the fixture is correct.

If further assistance is required, contact:  
**Technical Support at: (800) 315-4963**