



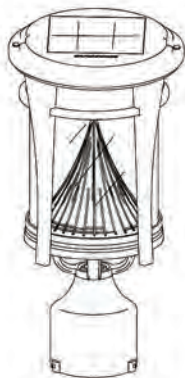
## AURORA SOLAR LAMP

w/changeable mounting options

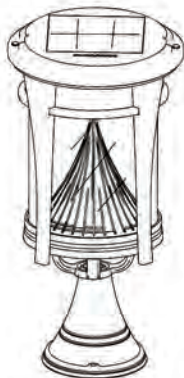
*US Patent # 7172307*

### Instruction Manual

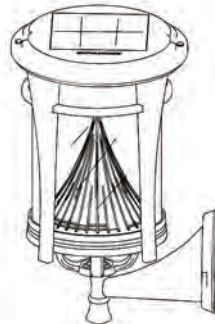
Model: GS-124FPW



GS-124F



GS-124P



GS-124W

## Introduction

Thank you for your purchase. GAMA SONIC® solar charged accent lighting eliminates the problems associated with most solar lighting available today. GAMA SONIC® solar charged lights are brighter and last all night with a typical solar charge. Unique design, superior light output and numerous installation options confirm the outstanding value of our product.

GAMA SONIC® has been recognized as a worldwide leader in the lighting industry for over 20 years. The company also offers unique multi-purpose rechargeable products that range from fans with built in radios to emergency lighting products.

For technical assistance and more information call our Toll Free number:

**1-800-835-4113**

(only within the US)

Please read the instruction manual carefully to obtain the best results from your purchase.

Tools that are needed but not supplied with the solar post lamps are: a screw driver, power drill.

### **Solar Lamp Location:**

For optimum light duration throughout the night, it is very important to place your solar lamp in a spot where it will receive the maximum amount of direct sunlight throughout the day.

*Note: The unit will operate optimally after 2 full days of charging.*

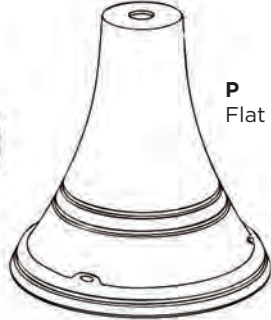
# What's Inside

Open your package and remove the contents. Check to make sure all pieces are present and accounted for.

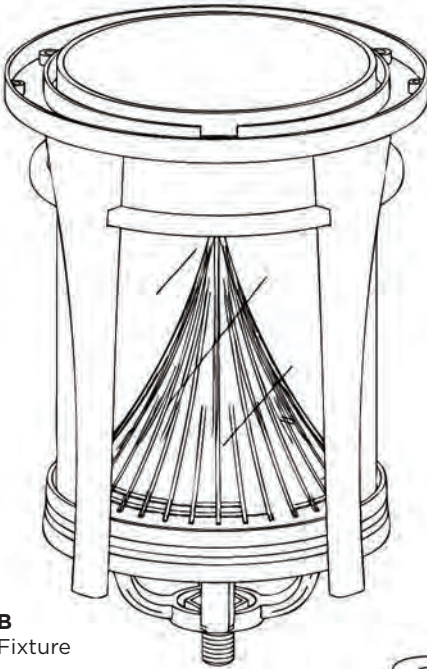
## GS-124FPW PARTS



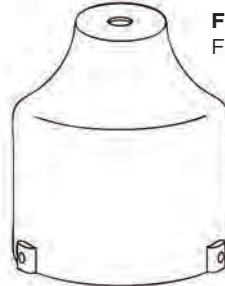
**A**  
Top



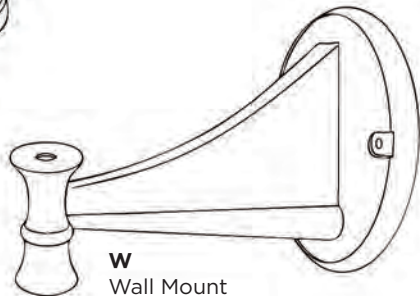
**P**  
Flat Base



**B**  
Fixture



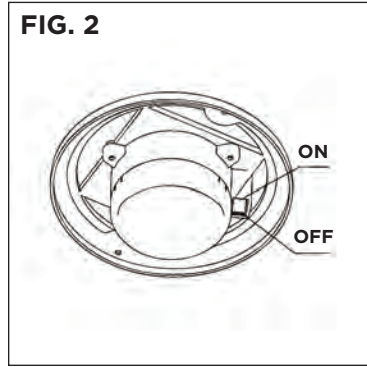
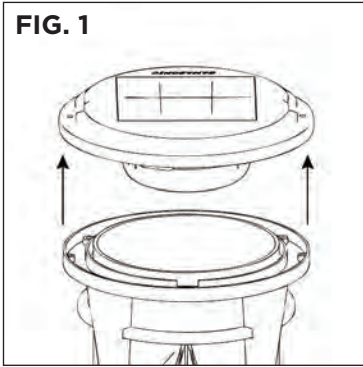
**F**  
Filter



**W**  
Wall Mount

## Operation Instructions

1. Remove part (A) from part (B) by removing the 2 screws as shown in Fig. 1. Turn the operation switch (Fig. 2) to the ON position, and the solar lamp will automatically operate from dusk to dawn.
2. Reattach part (A) to part (B) and secure with the 2 screws.

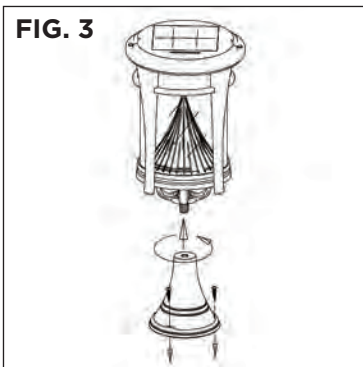


## Installation Instructions

### GS-124P (Fig. 3)

1. Screw the fixture (B) into the flat base (P).
2. Use a drill to make two holes in the desired surface.
3. Use the appropriate mounting hardware to secure your lamp to the desired surface.

**Note:** There are specific types of screws for specific surfaces. If unsure of the appropriate type of screw to use on your desired surface please consult a professional.

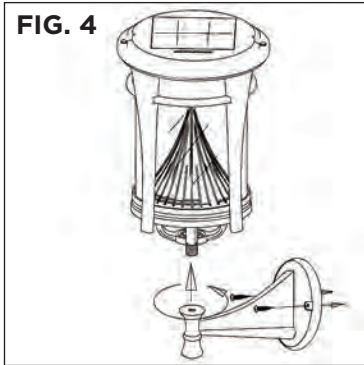


## Installation Instructions

### GS-124W (Fig. 4)

1. Screw the fixture (B) into the wall mount (W).
2. Use a drill to make two holes in the wall, place appropriate hardware into holes, place the wall bracket in line with the holes and secure bracket to wall.
3. Assemble part (W) into the wall bracket by turning it using the screws provided.

**Note:** For best results, position your lamp so it is facing south.

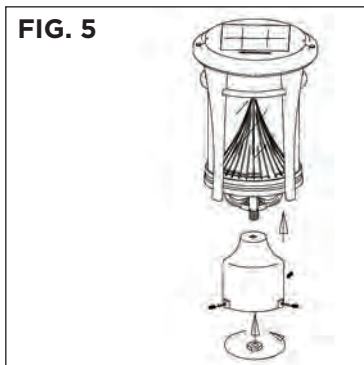


## Installation Instructions

### GS-124F (Fig. 5)

1. Screw the fixture (B) into the fitter (F), securing it with the nut.
2. Place the unit on top of the existing 3" post and tighten it using the screws provided.

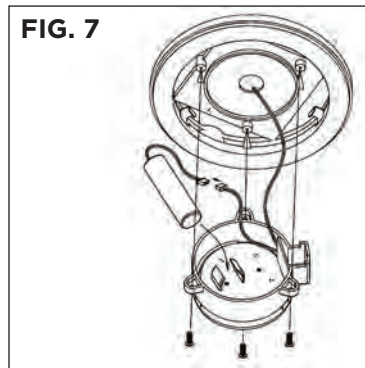
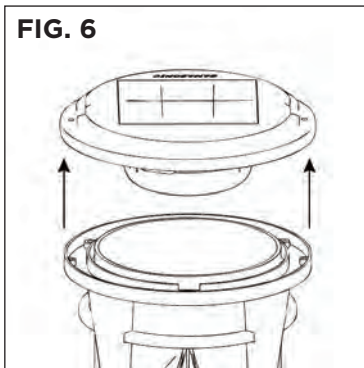
**Note:** If you are replacing an existing gas/electric post light, you must consult a certified technician to disconnect them prior to installation of your solar lamp.



## Replacing the Batteries

*After several years of use, the battery may need replacing.*

1. Remove the 2 screws from the top of the lamp and remove the top from the fixture. (Fig. 6)
2. Remove the screws from the LED dome on the underside of the top.
3. Take the battery out of its secured position, and unclip it's wire.
4. Clip your new battery in and reinstall the lamp in reverse order.



***This lamp takes a 3.2V/1500 Mah Li-Ion battery pack.  
Extra batteries can be purchased through our authorized  
dealers or by going to [www.gamasonicstore.com](http://www.gamasonicstore.com)***

***WARNING: Do not dispose of Li-Ion battery in the regular trash, municipal waste stream or by fire as batteries may leak or explode. Do not open, short circuit, or mutilate batteries as injury may occur. Preserve our environment by recycling Li-Ion batteries or disposing of them in accordance with local, state and federal regulations. Do not mix old and new batteries.***

## Maintenance

Clean the solar panels regularly with a damp towel to guarantee optimum performance. Do not use any type of solvent for cleaning and be careful not to put too much pressure on the solar panels while cleaning.

## Troubleshooting

If your solar charged light does not come on at dusk despite observance of all the instructions, please try the following steps:

1. Make sure that the solar lamp is not being affected by any other light source.
2. Ensure the solar lamp is not positioned in the shade during the day.
3. Make sure the switch in the lamp head is the ON position.
4. Check that the batteries are installed correctly.

**Note:** *The performance of the solar lamp will vary with the time of year. It will deliver more light when it has had a full day in the sun rather than a day in overcast weather.*

**Wintertime Tips:** *For optimal performance, be sure to remove any snow or debris accumulation from solar panel(s). A solar panel free of debris will charge the batteries much more efficiently.*

**WARNING:** *Please keep out of reach of children.*

