



Value and versatility defined

OLWP 11 is compact and efficient — consumes 80% less energy than a 70W HPS wall pack. Slim modern design fits well with any building style. There's even a standard photocell which turns the light on at dusk and off at dawn. Now that's smart!



OLWP 11 replaces up to **70W HPS**



Value and versatility defined

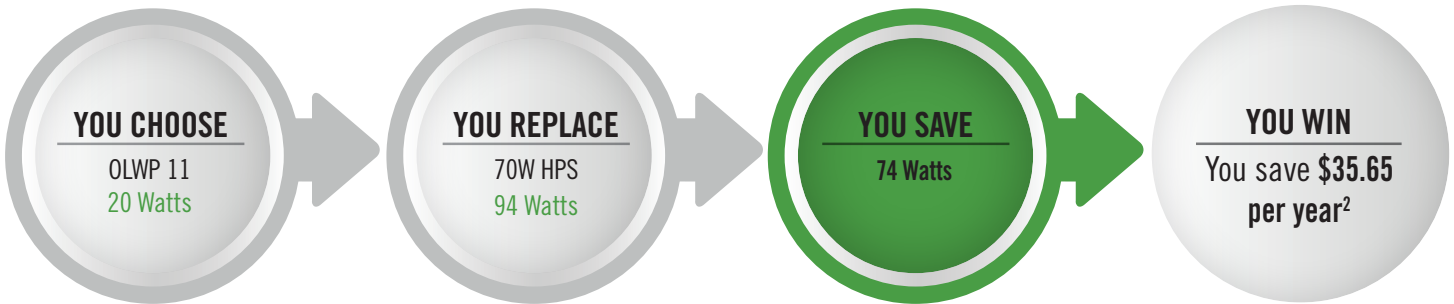
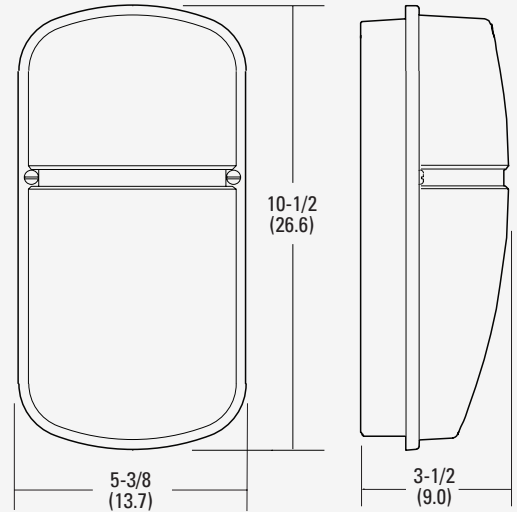


Mounts to a recessed junction box

- 2 high-powered LEDs provide 1096 lumens in a neutral 4000K CCT
- **Fully gasketed polycarbonate lens** provides an **even light distribution** and protects electronics
- 50,000 hour LED life¹
- **Cast aluminum back plate** dissipates heat from LEDs to promote long life
- Includes standard photo cell for dusk to dawn operation
- Highly efficient LEDs provide **55 lumens per watt**

¹ LED lifespan based on IESNA LM-80-08 results and calculated per IESNA TM-21-11 methodology.

Product Dimensions



² Based on 12 hours operation per day and energy costs of \$.11 per kWh

ORDERING INFORMATION

Example: OLWP 11 PE BZ

Series		Lumens / Color Temperature (CCT)	Voltage	Controls	Finish
OLWP	LED Wall Pack	11 1096 lumens / 4000K ³	(blank) 120V	PE button photocell	BZ Bronze



Notes

³ Correlated Color Temperature (CCT) shown is nominal per ANSI C78,377-2008.