

SPECIFICATION SHEET: FHSCP-UNV-17WL

This Is An Original Product From Fulham Co., Inc

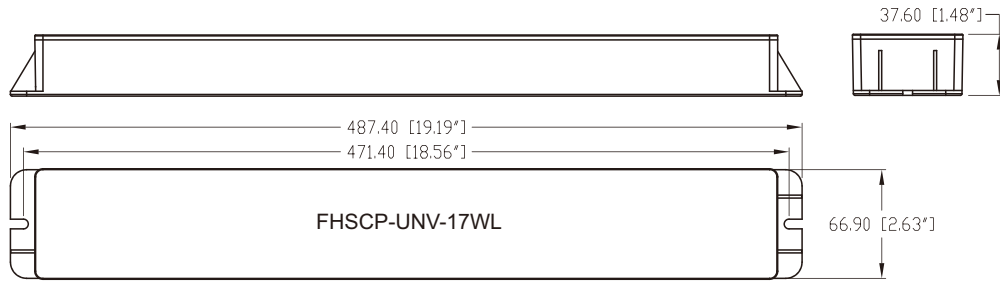
Description: Emergency LED Driver - Output 17W (Constant) - Universal Voltage - 340-850mA - 20-50V Forward Voltage - Long Case with Wire

This Driver Will Operate The Following LED Modules:
Any LED module designed to accept constant input current of 340-850mA and that has a forward input voltage range of 20-50VDC.

ELECTRICAL DATA

| | |
|-------------------------------------|---|
| Input Voltage | 120-277VAC, 50/60Hz |
| Input Current | 0.11A Max. |
| Input Power | 7.9W |
| Output Current | 340-850mA |
| Output Voltage Range | 20-50Vdc |
| Output Power/ Lumens | 17.0W (Constant)/ 2700lm |
| Battery Type/ Model Number | Ni-Cd 14.4Vdc |
| Battery Capacity Available | 40.3WH |
| Recharge Time | 24 Hours |
| Number of Output Channels | 1 |
| RFI/EMI | FCC Part 15A Non-Consumer |
| Output Type | Class 2 |
| Ambient Operating Temperature Range | 0°C to 50°C |
| Surge Protection | Per C62.41 (TVS) |
| Protections | Input Overcurrent Protection (Fusible link) |
| Service Life | 50,000 Hours |
| Approvals / Class | ULus Class 2; Damp Locations |

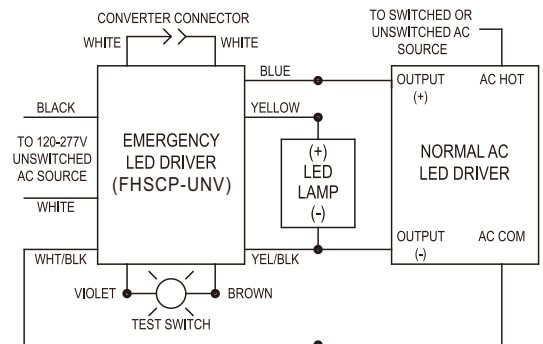
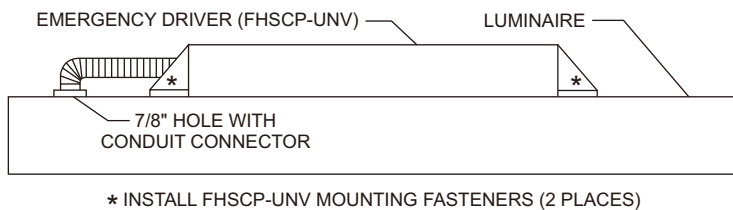
MECHANICAL DATA



Tolerance=±0.02"

NOTE : This Driver Must Be Grounded

WIRING DIAGRAMS



Fulham extends a limited warranty only to the original purchaser or to the first user for a period of **5 years** from the date of manufacture when properly installed and operated under normal conditions of use. For complete terms and conditions, please reference the Fulham Product Catalog. Due to a program of continuous improvement, Fulham reserves the right to make modifications or variations in design or construction to the equipment described. © Fulham Company Limited, All Rights Reserved.