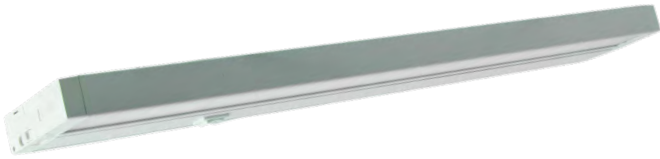


UNDER CABINET FIXTURES

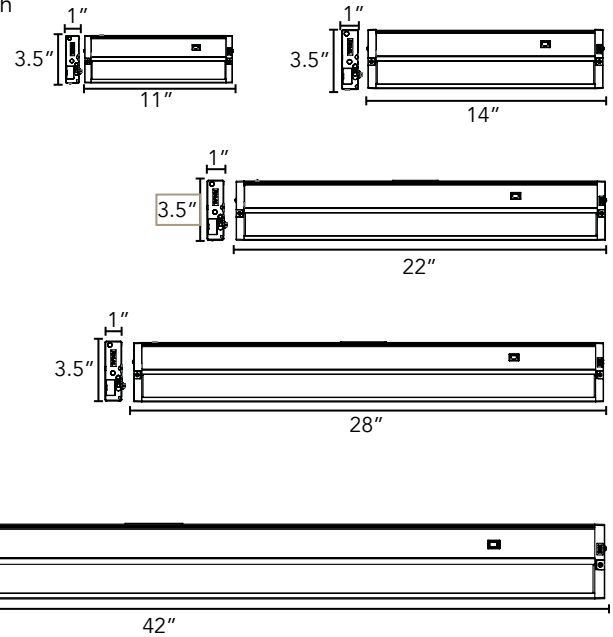
11" 14" 22" 28" 42"


SPECIFICATIONS

| | |
|--------------------|------------------------|
| AVERAGE RATED LIFE | 36,000 hrs |
| HOUSING | Aluminum/Plastic |
| POWER | 120V |
| LENS | Frosted Polycarbonate |
| BEAM | 100° |
| COLOR (K) | 2700, 3000, 4000, 5000 |

BENEFITS

- Long life and low maintenance costs
- Dimmable when used with approved dimming switch
- Mercury and Lead free, as well as UV and IR free
- Instant on to full brightness
- Front access to wiring (UC Series)
- On/off switch


DIMMER COMPATIBILITY*

Lutron: MACL-153M, LGCL-153PLH, TAL06P-C1-K-L, TGCL-153PH, AYCL-153P, DVCL-153P, DVSCCL-153P, SCL-153P, MSCL-OP153M, CTCL-153P, TTCL-100, SELV-300P, DVELV-300P, DV-600PR-LA, DV-600PR-BL, DV-600PR-WH, S-2-LH, CT-600PR-WH, DVW-603-PGH-WH, CT-600PR-IV, S-600PR-LA, MA-T51H-WH **Cooper:** ASPIRE-9573, DEVINE-DLC03P, SKYE-SLC03P, SAL06P, AAL06-C1-K-L, DAL06P-C1-K-L **Leviton:** 6631, 6633

*The listed dimmers have been tested and proven to work under limited laboratory conditions. All possible electrical conditions cannot be accurately simulated, and therefore some discrepancy may exist.

APPLICATION INFORMATION

| Applications | Market Segments | Fixture Includes |
|------------------|--|--|
| - Under Cabinets | - Residential - Hospitality - Office - Retail | <ul style="list-style-type: none"> • (6) 3/8" knockouts • Cable Connector for Direct Wiring • Mounting Hardware • Wiring Hardware • Installation Instructions • End to End Connector |

Application Notes

1. Operating temperature range between -20°C and +45°C (-4°F and +113°F)
2. Suitable for indoor/damp locations and sheltered outdoor use

This device complies with Part 15 of the FCC rules and has been tested and found to comply with the limits for a Class B digital device. These limits are designed to provide reasonable protection against harmful interference in a residential installation. This equipment uses and can radiate radio frequency energy and, if not installed and used in accordance with the instructions, may cause harmful interference to radio communications. Any changes or modifications not expressly approved by the manufacturer could void the user's authority to operate the equipment.

CERTIFICATIONS


LM79 reports and IES files are available upon request.



Based on 12 hours of use per day.

Under Cabinet Fixtures

ORDERING INFORMATION

UC Series

| Order Code | Part Number | Length (Inch) | Fixture Color | Wattage (W) | Voltage (V) | CCT ¹ | Typical Lumens ² | CRI ³ | Dim | Beam | CBCP | Weight (lbs) | Case Quantity | Energy Star | Lighting Facts |
|------------|-------------|---------------|---------------|-------------|-------------|------------------|-----------------------------|------------------|-----|------|------|--------------|---------------|-------------|----------------|
| K7M0 | UC11-30-WH | 11" | White | 6 | 120 | 3000 | 350 | >90 | YES | 100° | 136 | 0.75 | 12 | YES | YES |
| K7M1 | UC11-40-WH | 11" | White | 6 | 120 | 4000 | 350 | >90 | YES | 100° | 144 | 0.75 | 12 | YES | YES |
| K7M2 | UC11-50-WH | 11" | White | 6 | 120 | 5000 | 350 | >90 | YES | 100° | 144 | 0.75 | 12 | YES | YES |
| K7M3 | UC11-30-BZ | 11" | Bronze | 6 | 120 | 3000 | 350 | >90 | YES | 100° | 136 | 0.75 | 12 | YES | YES |
| K7M4 | UC11-40-BZ | 11" | Bronze | 6 | 120 | 4000 | 350 | >90 | YES | 100° | 144 | 0.75 | 12 | YES | YES |
| K7M5 | UC11-50-BZ | 11" | Bronze | 6 | 120 | 5000 | 350 | >90 | YES | 100° | 144 | 0.75 | 12 | YES | YES |
| K7M6 | UC14-30-WH | 14" | White | 8 | 120 | 3000 | 500 | >90 | YES | 100° | 194 | 0.95 | 12 | YES | YES |
| K7M7 | UC14-40-WH | 14" | White | 8 | 120 | 4000 | 500 | >90 | YES | 100° | 196 | 0.95 | 12 | YES | YES |
| K7M8 | UC14-50-WH | 14" | White | 8 | 120 | 5000 | 500 | >90 | YES | 100° | 196 | 0.95 | 12 | YES | YES |
| K7M9 | UC14-30-BZ | 14" | Bronze | 8 | 120 | 3000 | 500 | >90 | YES | 100° | 194 | 0.95 | 12 | YES | YES |
| K8M0 | UC14-40-BZ | 14" | Bronze | 8 | 120 | 4000 | 500 | >90 | YES | 100° | 196 | 0.95 | 12 | YES | YES |
| K8M1 | UC14-50-BZ | 14" | Bronze | 8 | 120 | 5000 | 500 | >90 | YES | 100° | 196 | 0.95 | 12 | YES | YES |
| K8M2 | UC22-30-WH | 22" | White | 10 | 120 | 3000 | 650 | >90 | YES | 100° | 256 | 1.40 | 6 | YES | YES |
| K8M3 | UC22-40-WH | 22" | White | 10 | 120 | 4000 | 650 | >90 | YES | 100° | 260 | 1.40 | 6 | YES | YES |
| K8M4 | UC22-50-WH | 22" | White | 10 | 120 | 5000 | 700 | >90 | YES | 100° | 267 | 1.40 | 6 | YES | YES |
| K8M5 | UC22-30-BZ | 22" | Bronze | 10 | 120 | 3000 | 650 | >90 | YES | 100° | 256 | 1.40 | 6 | YES | YES |
| K8M6 | UC22-40-BZ | 22" | Bronze | 10 | 120 | 4000 | 650 | >90 | YES | 100° | 260 | 1.40 | 6 | YES | YES |
| K8M7 | UC22-50-BZ | 22" | Bronze | 10 | 120 | 5000 | 700 | >90 | YES | 100° | 267 | 1.40 | 6 | YES | YES |
| K8M8 | UC28-30-WH | 28" | White | 12 | 120 | 3000 | 750 | >90 | YES | 100° | 296 | 1.80 | 6 | YES | YES |
| K8M9 | UC28-40-WH | 28" | White | 12 | 120 | 4000 | 750 | >90 | YES | 100° | 291 | 1.80 | 6 | YES | YES |
| K9M0 | UC28-50-WH | 28" | White | 12 | 120 | 5000 | 800 | >90 | YES | 100° | 308 | 1.80 | 6 | YES | YES |
| K9M1 | UC28-30-BZ | 28" | Bronze | 12 | 120 | 3000 | 750 | >90 | YES | 100° | 296 | 1.80 | 6 | YES | YES |
| K9M2 | UC28-40-BZ | 28" | Bronze | 12 | 120 | 4000 | 750 | >90 | YES | 100° | 291 | 1.80 | 6 | YES | YES |
| K9M3 | UC28-50-BZ | 28" | Bronze | 12 | 120 | 5000 | 800 | >90 | YES | 100° | 308 | 1.80 | 6 | YES | YES |
| K9M4 | UC42-30-WH | 42" | White | 18 | 120 | 3000 | 1250 | >90 | YES | 100° | 436 | 2.65 | 6 | YES | YES |
| K9M5 | UC42-40-WH | 42" | White | 18 | 120 | 4000 | 1350 | >90 | YES | 100° | 436 | 2.65 | 6 | YES | YES |
| K9M6 | UC42-50-WH | 42" | White | 18 | 120 | 5000 | 1300 | >90 | YES | 100° | 458 | 2.65 | 6 | YES | YES |
| K9M7 | UC42-30-BZ | 42" | Bronze | 18 | 120 | 3000 | 1250 | >90 | YES | 100° | 436 | 2.65 | 6 | YES | YES |
| K9M8 | UC42-40-BZ | 42" | Bronze | 18 | 120 | 4000 | 1350 | >90 | YES | 100° | 436 | 2.65 | 6 | YES | YES |
| K9M9 | UC42-50-BZ | 42" | Bronze | 18 | 120 | 5000 | 1300 | >90 | YES | 100° | 458 | 2.65 | 6 | YES | YES |

1. Thermally stable typical CCT (±10%) 2. Thermally stable typical lumens (±10%) 3. CRI - Color Rendering Index

For the most up-to-date specifications and installation instructions, visit kobielectric.com.



Specifications are typical values and may change without notification.
©2016 Kobi Electric, Inc. All Rights Reserved

Undercabinet Fixtures
Rev 1.01

Under Cabinet Fixtures

ORDERING INFORMATION

LIF Series

| Order Code | Part Number | Length (In.) | Wattage (W) | Voltage (V) | CCT ¹ | Typical Lumens ² | CRI ³ | Dim | Beam | Weight (lbs) | Case Quantity |
|------------|------------------------|--------------|-------------|-------------|------------------|-----------------------------|------------------|-----|------|--------------|---------------|
| K6Q1 | LIF-UC-28-700-120-W-27 | 29" | 12.8 | 120 | 2700K | 700 | 90 | Yes | 100° | 2 | 6 |
| K6Q2 | LIF-UC-28-900-120-W-50 | 29" | 12.8 | 120 | 5000K | 900 | 83 | Yes | 100° | 2 | 6 |

1. Thermally stable typical CCT (±10%) 2. Thermally stable typical lumens (±10%) 3. CRI - Color Rendering Index

IES files are available upon request.

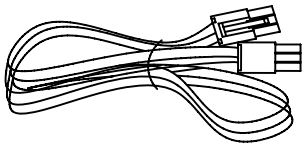
Accessories Included

- 3/8 Connector
- Power Cable
- Mounting Hardware
- Wiring Hardware
- Installation Instructions
- End to End Connector

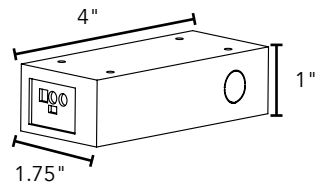
Accessories Sold Separately

| Order Code | Part Number | Color |
|------------|-------------|--------|
| K6M7 | JB-WH | White |
| K6M8 | JB-BZ | Bronze |
| K6M6 | UC-C-WH-24 | White |
| K6M9 | UC-C-BZ-24 | Bronze |

Linkable Cable 24"



Junction Box



For the most up-to-date specifications and installation instructions, visit kobielectric.com.



Specifications are typical values and may change without notification.
©2016 Kobi Electric, Inc. All Rights Reserved

Undercabinet Fixtures
Rev 1.01