

LED Shoe Box light/ Parking Lot light

BY RN/26Y /7M/AAA 1"BY RN/6: Y /7M/AAA



I . Application :

Parking Lot lighting, wall lighting area, street lighting.etc.

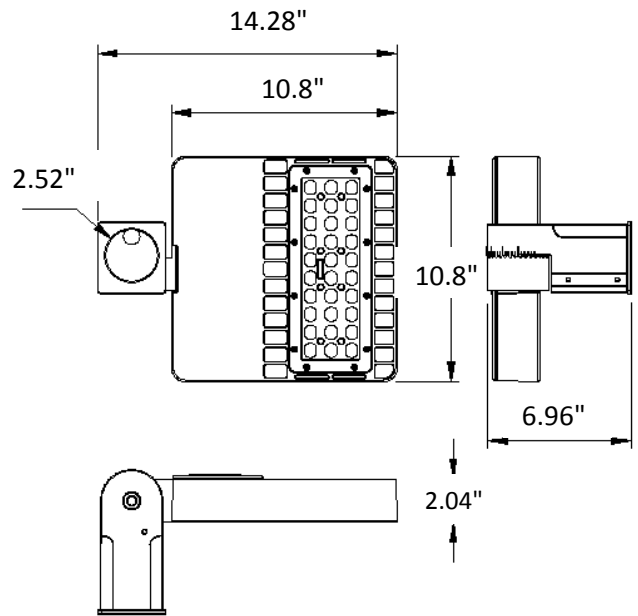
II . Features:

- 1 Module lens design makes the lamp own well suited lighting distributing for LED parking lot lighting.
 - 2 Hollow out heat sink design makes the lamp lighter and better at heat dissipation.
 - 3 Installation angle $-90\sim+90^{\circ}$ adjustable.
 - 4 Beautiful appearance, using Samsung LED chips and high quality driver.
 - 5 IP65. Owing ETL & DLC certificates.
 - 6 Multifarious mounting brackets and beam angles are available.
-

III. Picture/ Product Size/ Technical Parameter:

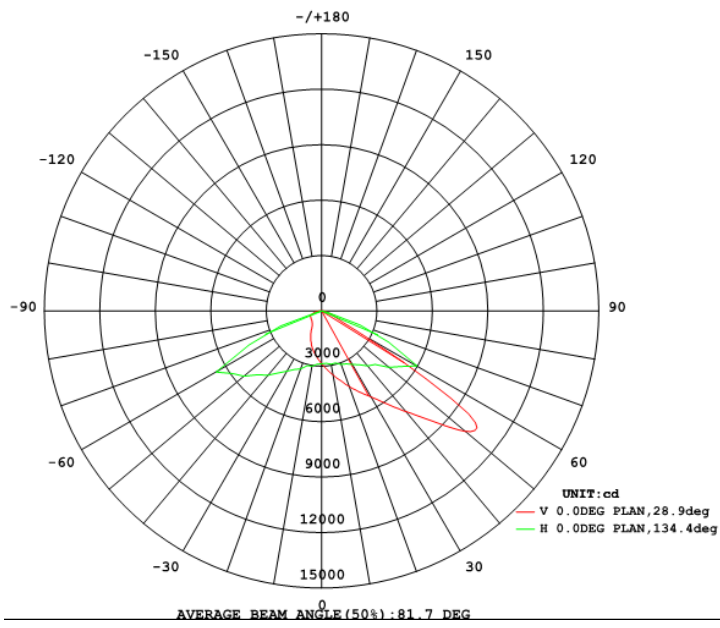
DY RN/46Y /7M~~KKC~~ / BY RN/6: Y /7M~~KKC~~

Type A

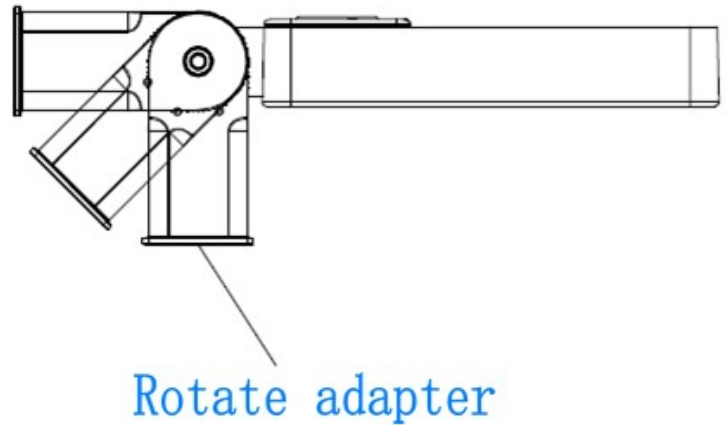
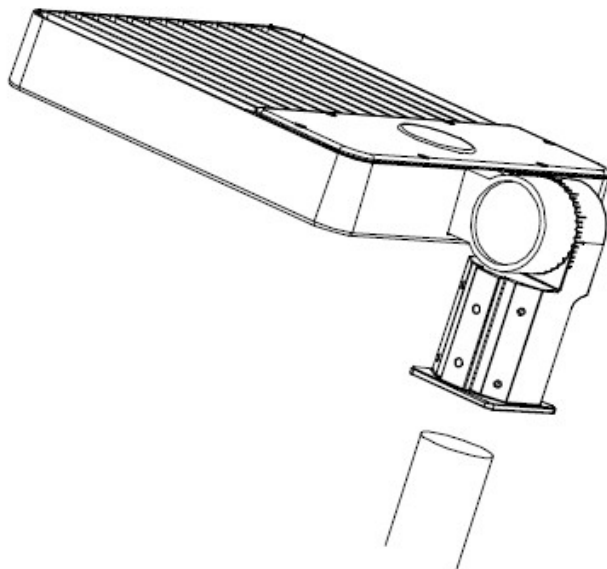


Model	CCT	CRI	Lumious Flux	System Power	Product Size (in)	Package Size (in)	Quantity of LED chip	N.G.	W.G.
DY RN/46Y /7M KKC	7222M	≥70	2400 LM	44W	10.8*14.28*6.96	21.48*13.8*5.28	10 pcs	4.4 KG	4.9 KG
DY RN/6: Y /7M KKC	7222M	≥70	6800 NM	48W	10.8*14.28*6.96	21.48*13.8*5.28	20 pcs	4.4 KG	5.1 KG
Input Voltage: AC 90V~277V									
Efficiency of power supply>0.9									
Storage Temperature: - 40 ~ 50°C									

IV. Optical data: Type 3



Type A Pole diameter: \varnothing 0.2'



VI. Installation Caution

- 1、 Make sure the power has been turned off before maintenance.
 - 2、 Clean the lens cover regularly to maintain high transmission of light.
 - 3、 Clean up the dust from the reflector and heat sink regularly to keep sound heat dispersion.
 - 4、 Be careful not to use water or corrosive solution for cleaning, preferably with a dry cloth.
 - 5、 When install or replace power supply, directly open the back cover with a screwdriver, then remove the power supply. There are three-core cable of AC power, red corresponds to the power of “L”, blue to “N”, and green or yellow to “G ”
-