

The MLED Series is a multi-voltage, high performance, high-impact thermoplastic adjustable LED lamp head designed to increase center-to-center spacing. Suitable for indoor and outdoor applications.

FEATURES

- Compatible with CLED, VLED, LED-RX, VEX-RC, VEX-WPC or LED-90 exits only
- Each 1.5W lamp head contains twelve long lasting, efficient, ultra-bright white LEDs in a high performance reflector with glass lens (outdoor) or plastic lens (indoor)
- Rugged, injection-molded 5VA flame retardant, high-temperature thermoplastic housing
- Adjustable LED lamp heads optimize spacing
- Low cost - easy installation
- Multi-voltage (3.6V, 6V, 9.6V, 12V)
- Single and double head configurations available
- Suitable for ceiling or wall mount
- Optional wet location rating (WP) available for outdoor applications
- Standard finishes: Black or White for indoor, Black or Gray for outdoor
- All options include mounting plate



MLED1-G-WP



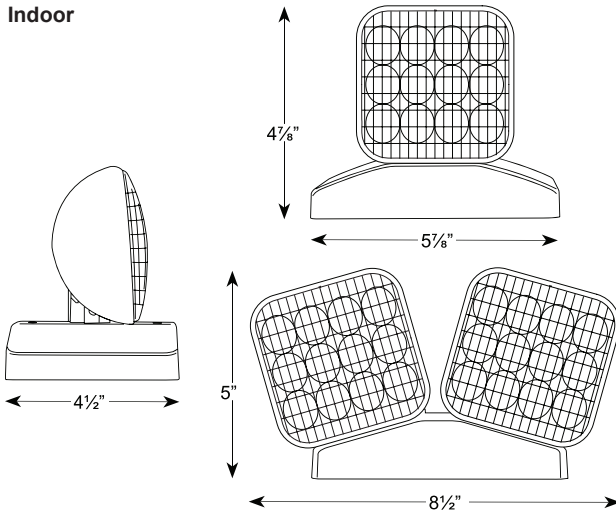
MLED2-W



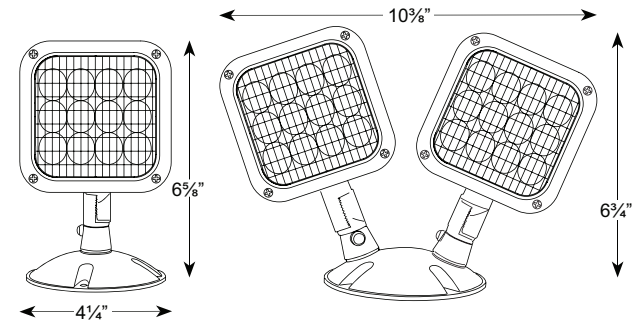
WARRANTY

Any component that fails due to manufacturers defect is guaranteed for 5 years. The warranty does not cover physical damage, abuse or acts of God. See the full Exitronix warranty document for detailed information.

Indoor



Outdoor (WP Option)



ORDERING INFORMATION Example: MLED1-B-G2-WP

Series ³	Finish	Options
MLED1 = Single Remote Lamp	B ² = Black	G2 ¹ = Self-Test/Self-Diagnostics Compatible
MLED2 = Double Remote Lamp	G ² = Gray	WP ² = Weatherproof Applications
	W = White	

Notes

- ¹ Unit powering remote lamp head must also have G2 option
- ² WP option available in Black or Gray finish only
- ³ MLED series only compatible with CLED, VLEC, LED-RX, VEX-RC, VEX-WPC and LED-90 exits