

LED PLL LAMPS

INSTALL INSTRUCTIONS

PLEASE FIND A QUALIFIED ELECTRICIAN FOR INSTALLATION. Please read the instructions before you install and use the luminaire.

WARNING: THIS PRODUCT MUST BE INSTALLED IN ACCORDANCE WITH THE APPLICABLE INSTALLATION CODE BY A PERSON FAMILIAR WITH THE CONSTRUCTION AND OPERATION OF THE PRODUCT AND THE HAZARDS INVOLVED

RISK OF SHOCK: DISCONNECT POWER BEFORE INSTALLATION

Risk of fire or electric shock - Retrofit kit installation requires knowledge of electrical systems. If not qualified, do not attempt installation. Contact a qualified electrician.

Risk of fire or electric shock. - Install this kit only in the luminaires that have the construction features and dimensions shown in the photographs and/or drawings and where the input rating of the retrofit kit does not exceed the input rating of the luminaire.

To prevent wiring damage or abrasion, do not expose wiring to edges of sheet metal or other sharp objects.

Installers should not disconnect existing wires from the lampholder terminals to make new connections at lampholder terminals. Instead installers should cut existing lampholder leads away from the lampholder and make new electrical connections to lampholder lead wires by employing application connectors.

THIS RETROFIT IS ACCEPTED AS A COMPONENT OF A LUMINAIRE WHERE THE SUITABILITY OF THE COMBINATION SHALL BE DETERMINED BY AUTHORITIES HAVING JURISDICTION.

This device complies with Part 15 of the FCC Rules. Operation is subject to the following two conditions: (1) this device may not cause harmful interference, and (2) this device must accept any interference received, including interference that may cause undesired operation.

IMPORTANT SAFETY INSTRUCTIONS

- Product should be installed by a qualified electrician.
- Do not use LED driver with the product.
- Not for use with dimmers.
- The end retrofit luminaire has been modified and can no longer operate the originally intended lamp.
- Caution - Risk of Electric Shock - Use in Dry and Damp Locations Only.
- Not for use with totally enclosed fixtures.
- Risk of Electric shock - Do Not Use Where Directly Exposed To Water.
- This device is not intended for use with emergency exit fixtures or emergency exit lights.

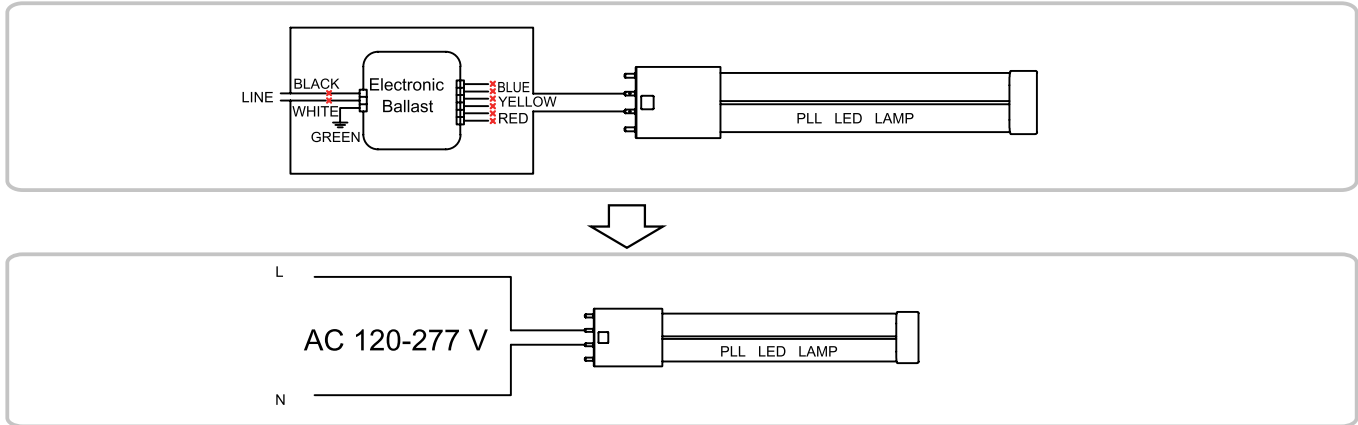
The units covered in this report were intended to retrofit surface mount, Type IC or Non-IC recessed mount listed fluorescent luminaires that use a maximum of two lamps. The minimum dimensions of lamp compartment of luminaries are tabulated below.

ITEM#	DESCRIPTION	WATT	mA	VOLT	MAX. LAMPS	MIN. LAMP COMPARTMENT
PLT-10776	LED PLL 23WT5/115°/FR/35K/2G11/120-277V	23	209	120-277	2	24"(L) x 23.6"(W) x 3.1"(H)
PLT-10777	LED PLL 23WT5/115°/FR/40K/2G11/120-277V					
PLT-10778	LED PLL 23WT5/115°/FR/50K/2G11/120-277V					

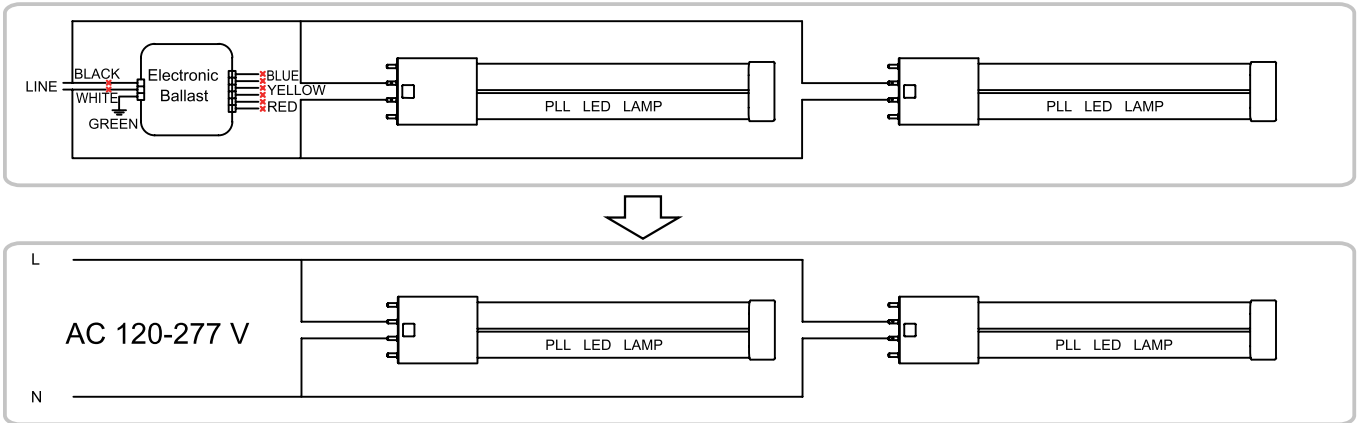
LED PLL LAMPS

INSTALL INSTRUCTIONS

RETROFIT FIXTURES WITH ONE LAMP



RETROFIT FIXTURES WITH TWO LAMPS



RETROFIT FIXTURES WITH THREE LAMPS

