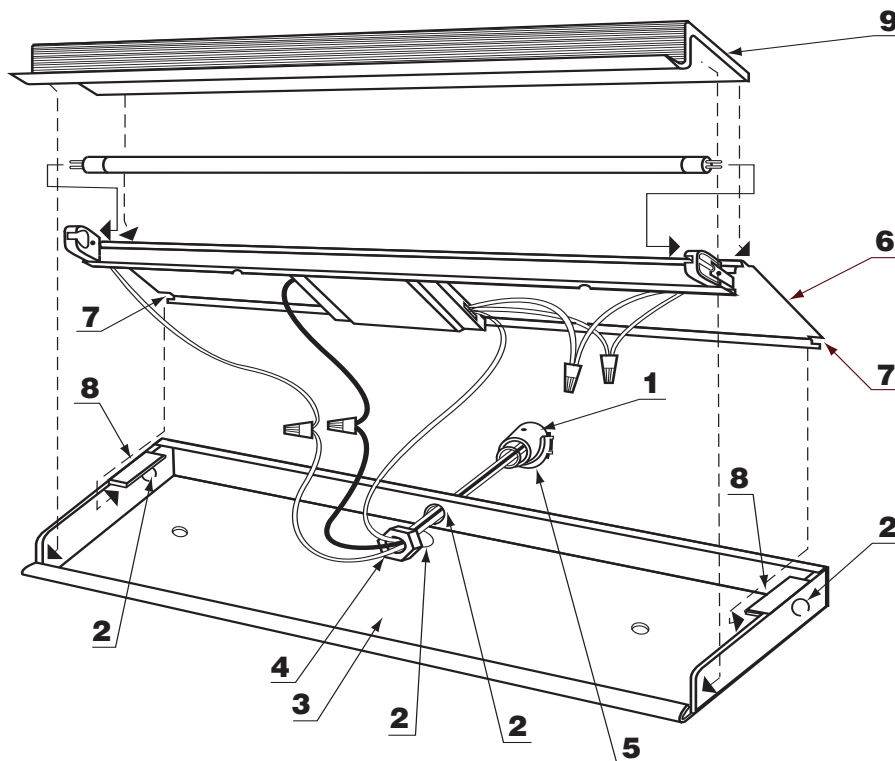


Installation Instructions

****URGENT: READ PRIOR TO ATTEMPTING INSTALLATION***

MINI INCH FLUORESCENT UNDER CABINET - NU-12, NU-21, NU-24, NU-32, NU-42

CAUTION: *Read All Instructions Carefully for Safe Operation and Installation*



FIRE/ELECTRICAL HAZARD: INSTALL ACCORDING TO NATIONAL ELECTRIC CODE AND ANY APPLICABLE MUNICIPAL CODE REQUIREMENTS.

This equipment is intended to be installed only by qualified personnel. The installation must be made in accordance with the current edition to the National Electric Code and all applicable state and local building codes. The final installation must be approved by the appropriate qualified electrical/building inspector(s). Improper installation may result in a fire or electrical hazard. Be sure the electrical power to the circuit has been disconnected before installing this electrical system.

TO INSTALL FIXTURE

- A. Insert connector (1) to desired knockout (2) in housing (3). Knockout is removed by pressing with screwdriver.
- B. Attach connector (1) to housing (3) using lock nut (4) provided. Insert 1/2" or 3/8" conduit through provided connector (1) and secure with fastener (5) provided. (*screw heads must always face up and view holes down*).
- C. Mount housing (3) to desired surface.
- D. Take wireway channel (6) and with power off attach grounding wire to green wire in wireway (6), attach black fixture wire to black supply wire, and white fixture wire to neutral. Use wire nuts (*local hardware item*) to splice connections.
- E. Place wireway tabs (7) onto housing tabs (8) and slide into place. Using provided hex nuts, secure to housing.
- F. Insert lamp(s) and test unit by restoring power. If unit does not light correctly, turn off power before making corrections.
- G. Snap diffuser (9) into place.