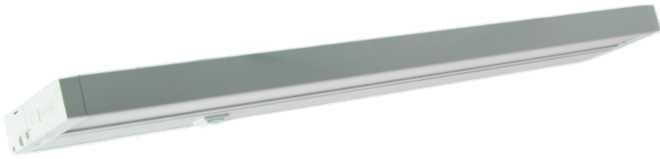


**UNDER CABINET  
FIXTURES**

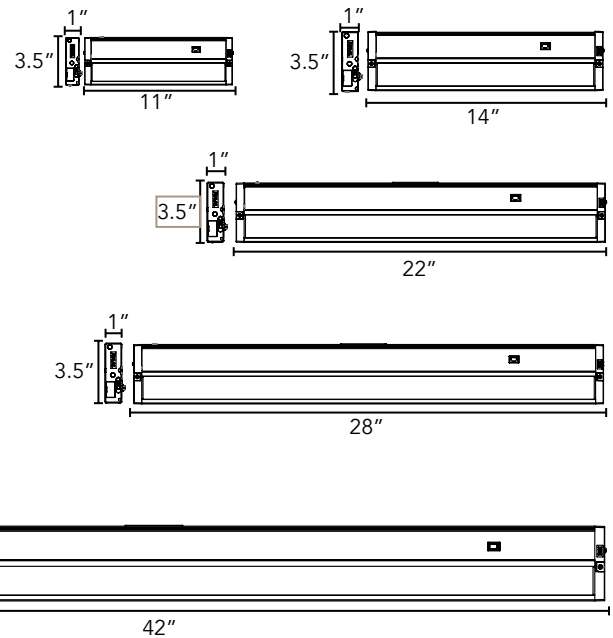
11" 14" 22" 28" 42"


**BENEFITS**

- Long life and low maintenance costs
- Dimmable when used with approved dimming switch
- Mercury and Lead free, as well as UV and IR free
- Instant on to full brightness
- Front access to wiring (UC Series)
- On/off switch
- 5 ft. power cord


**SPECIFICATIONS**

AVERAGE RATED LIFE	36,000 hrs
HOUSING	Aluminum/Plastic
POWER	120V
LENS	Frosted Polycarbonate
BEAM	100°
COLOR (K)	2700, 3000, 4000, 5000


**DIMMER COMPATIBILITY\***

**Lutron:** MACL-153M, LGCL-153PLH, TAL06P-C1-K-L, TGCL-153PH, AYCL-153P, DVCL-153P, DVSCCL-153P, SCL-153P, MSCL-OP153M, CTCL-153P, TTCL-100, SELV-300P, DVELV-300P, DV-600PR-LA, DV-600PR-BL, DV-600PR-WH, S-2-LH, CT-600PR-WH, DVW-603-PGH-WH, CT-600PR-IV, S-600PR-LA, MA-T51H-WH **Cooper:** ASPIRE-9573, DEVINE-DLC03P, SKYE-SLC03P, SAL06P, AAL06-C1-K-L, DAL06P-C1-K-L **Leviton:** 6631, 6633

\*The listed dimmers have been tested and proven to work under limited laboratory conditions. All possible electrical conditions cannot be accurately simulated, and therefore some discrepancy may exist.

**APPLICATION INFORMATION**

Applications	Market Segments	Fixture Includes
– Under Cabinets	– Residential – Hospitality – Office – Retail	<ul style="list-style-type: none"> <li>• (6) 3/8" knockouts</li> <li>• Cable Connector for Direct Wiring</li> <li>• Mounting Hardware</li> <li>• Wiring Hardware</li> <li>• Installation Instructions</li> <li>• End to End Connector</li> </ul>

**Application Notes**

1. Operating temperature range between -20°C and +45°C (-4°F and +113°F)
2. Suitable for indoor/damp locations and sheltered outdoor use

This device complies with Part 15 of the FCC rules and has been tested and found to comply with the limits for a Class B digital device. These limits are designed to provide reasonable protection against harmful interference in a residential installation. This equipment uses and can radiate radio frequency energy and, if not installed and used in accordance with the instructions, may cause harmful interference to radio communications. Any changes or modifications not expressly approved by the manufacturer could void the user's authority to operate the equipment.

**CERTIFICATIONS**


LM79 reports and IES files are available upon request.

Based on 12 hours of use per day.

# Under Cabinet Fixtures

## ORDERING INFORMATION

### UC Series

Order Code	Part Number	Length (Inch)	Fixture Color	Wattage (W)	Voltage (V)	CCT <sup>1</sup>	Typical Lumens <sup>2</sup>	CRI <sup>3</sup>	Dim	Beam	CBCP	Weight (lbs)	Case Quantity	Energy Star	Lighting Facts
K7M0	UC11-30-WH	11"	White	6	120	3000	350	>90	YES	100°	136	0.75	12	YES	YES
K7M1	UC11-40-WH	11"	White	6	120	4000	350	>90	YES	100°	144	0.75	12	YES	YES
K7M2	UC11-50-WH	11"	White	6	120	5000	350	>90	YES	100°	144	0.75	12	YES	YES
K7M3	UC11-30-BZ	11"	Bronze	6	120	3000	350	>90	YES	100°	136	0.75	12	YES	YES
K7M4	UC11-40-BZ	11"	Bronze	6	120	4000	350	>90	YES	100°	144	0.75	12	YES	YES
K7M5	UC11-50-BZ	11"	Bronze	6	120	5000	350	>90	YES	100°	144	0.75	12	YES	YES
K7M6	UC14-30-WH	14"	White	8	120	3000	500	>90	YES	100°	194	0.95	12	YES	YES
K7M7	UC14-40-WH	14"	White	8	120	4000	500	>90	YES	100°	196	0.95	12	YES	YES
K7M8	UC14-50-WH	14"	White	8	120	5000	500	>90	YES	100°	196	0.95	12	YES	YES
K7M9	UC14-30-BZ	14"	Bronze	8	120	3000	500	>90	YES	100°	194	0.95	12	YES	YES
K8M0	UC14-40-BZ	14"	Bronze	8	120	4000	500	>90	YES	100°	196	0.95	12	YES	YES
K8M1	UC14-50-BZ	14"	Bronze	8	120	5000	500	>90	YES	100°	196	0.95	12	YES	YES
K8M2	UC22-30-WH	22"	White	10	120	3000	650	>90	YES	100°	256	1.40	6	YES	YES
K8M3	UC22-40-WH	22"	White	10	120	4000	650	>90	YES	100°	260	1.40	6	YES	YES
K8M4	UC22-50-WH	22"	White	10	120	5000	700	>90	YES	100°	267	1.40	6	YES	YES
K8M5	UC22-30-BZ	22"	Bronze	10	120	3000	650	>90	YES	100°	256	1.40	6	YES	YES
K8M6	UC22-40-BZ	22"	Bronze	10	120	4000	650	>90	YES	100°	260	1.40	6	YES	YES
K8M7	UC22-50-BZ	22"	Bronze	10	120	5000	700	>90	YES	100°	267	1.40	6	YES	YES
K8M8	UC28-30-WH	28"	White	12	120	3000	750	>90	YES	100°	296	1.80	6	YES	YES
K8M9	UC28-40-WH	28"	White	12	120	4000	750	>90	YES	100°	291	1.80	6	YES	YES
K9M0	UC28-50-WH	28"	White	12	120	5000	800	>90	YES	100°	308	1.80	6	YES	YES
K9M1	UC28-30-BZ	28"	Bronze	12	120	3000	750	>90	YES	100°	296	1.80	6	YES	YES
K9M2	UC28-40-BZ	28"	Bronze	12	120	4000	750	>90	YES	100°	291	1.80	6	YES	YES
K9M3	UC28-50-BZ	28"	Bronze	12	120	5000	800	>90	YES	100°	308	1.80	6	YES	YES
K9M4	UC42-30-WH	42"	White	18	120	3000	1250	>90	YES	100°	436	2.65	6	YES	YES
K9M5	UC42-40-WH	42"	White	18	120	4000	1350	>90	YES	100°	436	2.65	6	YES	YES
K9M6	UC42-50-WH	42"	White	18	120	5000	1300	>90	YES	100°	458	2.65	6	YES	YES
K9M7	UC42-30-BZ	42"	Bronze	18	120	3000	1250	>90	YES	100°	436	2.65	6	YES	YES
K9M8	UC42-40-BZ	42"	Bronze	18	120	4000	1350	>90	YES	100°	436	2.65	6	YES	YES
K9M9	UC42-50-BZ	42"	Bronze	18	120	5000	1300	>90	YES	100°	458	2.65	6	YES	YES

1. Thermally stable typical CCT (±10%) 2. Thermally stable typical lumens (±10%) 3. CRI - Color Rendering Index

# Under Cabinet Fixtures

## ORDERING INFORMATION

### LIF Series

Order Code	Part Number	Length (In.)	Wattage (W)	Voltage (V)	CCT <sup>1</sup>	Typical Lumens <sup>2</sup>	CRI <sup>3</sup>	Dim	Beam	Weight (lbs)	Case Quantity
K6Q1	LIF-UC-28-700-120-W-27	29"	12.8	120	2700K	700	90	Yes	100°	2	6
K6Q2	LIF-UC-28-900-120-W-50	29"	12.8	120	5000K	900	83	Yes	100°	2	6

1. Thermally stable typical CCT ( $\pm 10\%$ ) 2. Thermally stable typical lumens ( $\pm 10\%$ ) 3. CRI - Color Rendering Index

IES files are available upon request.

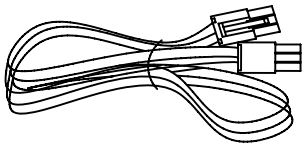
#### Accessories Included

- 3/8 Connector
- Power Cable
- Mounting Hardware
- Wiring Hardware
- Installation Instructions
- End to End Connector

### Accessories Sold Separately

Order Code	Part Number	Color
K6M7	UC-C-WH-24	White
K6M8	JB-WH	White
K6M6	JB-BZ	Bronze
K6M9	UC-C-BZ-24	Bronze

**Linkable Cable 24"**



**Junction Box**

