

LED EM16-2020ew

Part #: EBMR16DM/B/6.5W/500/38D/27K/GU5.3/EW Bulb Class: MR16



Product Description

LED EM16-2020ew delivers superior brightness, valuable energy savings and long lasting performance. This flood MR16 LED bulb is ideal for accent lighting due to its focal *warm white light (2700K) replacing conventional 50 Watt incandescent bulbs. Built-in MCOB LED Technology offers exceptional light uniformity, energy efficiency, and optimal heat dissipation guaranteeing durability and constant bulb performance. Enjoy features such as: instant on, dimming options, shatter resistance and mercury free.



Estimated Energy Cost: \$0.84 per year





*Note: Design, features and specifications subject to change without notice. Some features may not be available on all models. For more information regarding dimmer compatibility please visit: www.eurilighting.com or call 1-888-743-5766



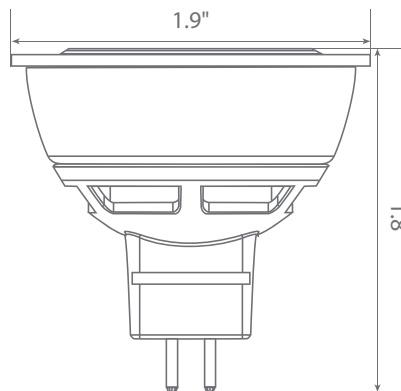
Specifications

Input Power	Input Voltage	Lumen Output	Beam Angle	Center Beam	CCT
6.5 W	12V	500 lm	38°	1323 cd	2700 K
CRI	Luminous Efficacy	Power Factor	Input Current	Base/Cap	Lamp Lifespan
80	76 lm/W	0.9	0.08 A	GU5.3	25,000 Hrs.

Product Features

-  Dimmable
-  Instant-On/Off
-  Mercury Free
-  Energy Efficient

Product Dimensions



Product Photometric Data

