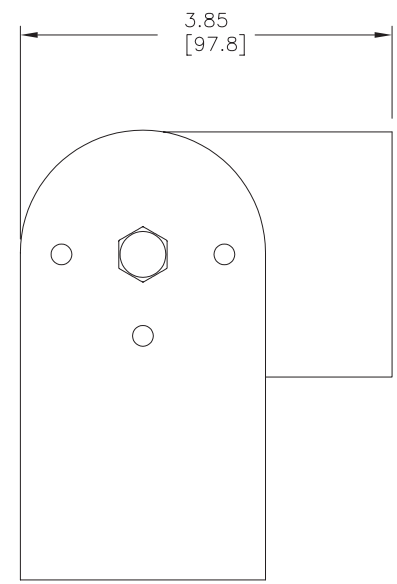
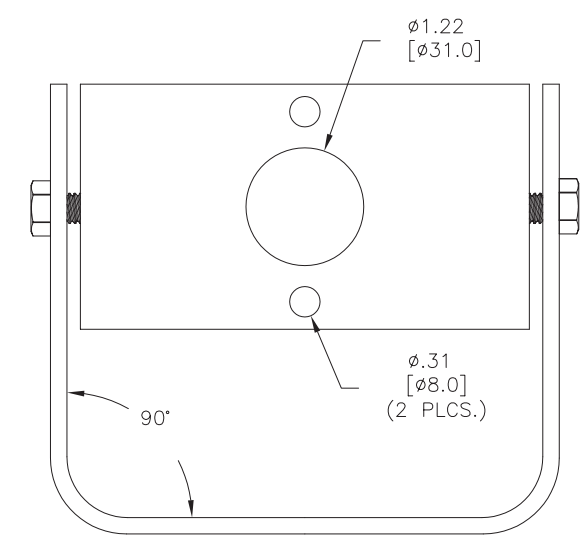


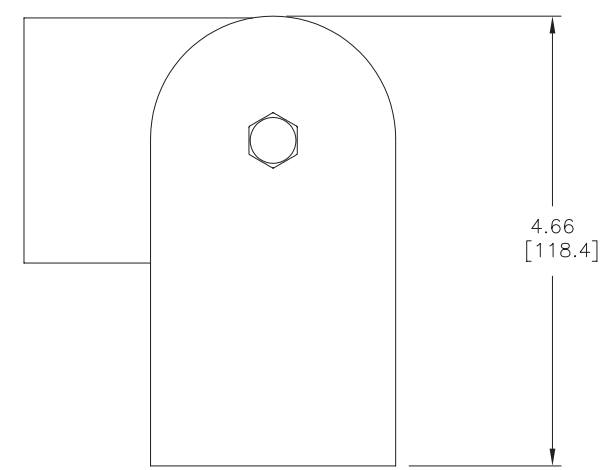
FORM	LTR	REVISION	DATE	APPD
032405-1B	-	RELEASED	01-12-12	



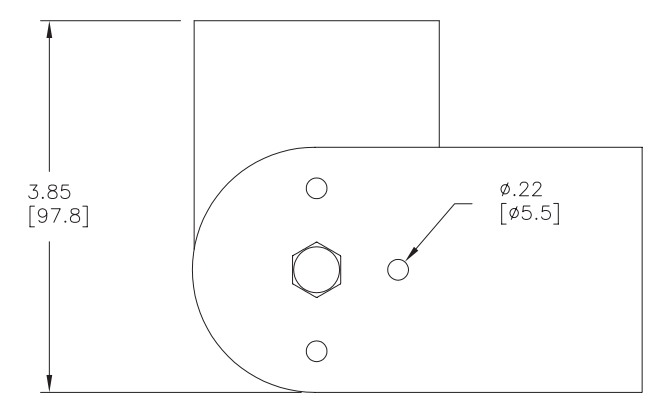
L. SIDE VIEW



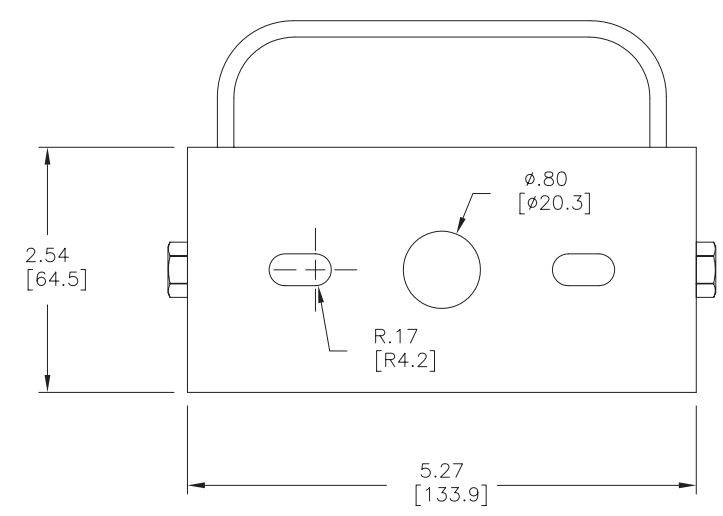
TOP VIEW



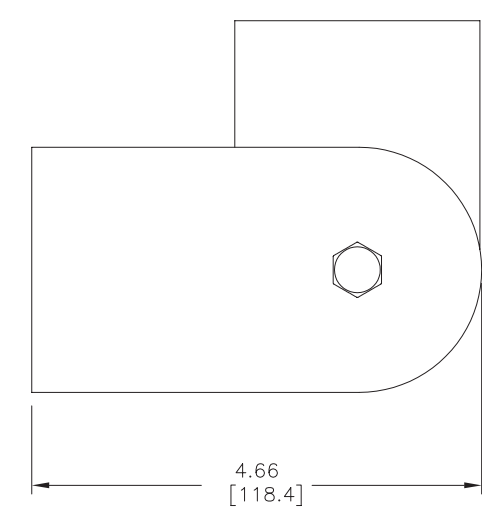
R. SIDE VIEW



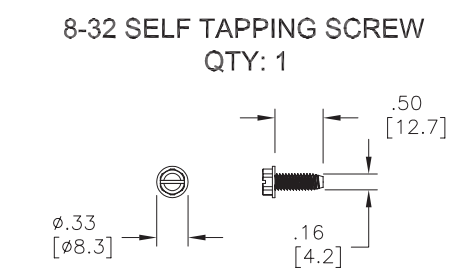
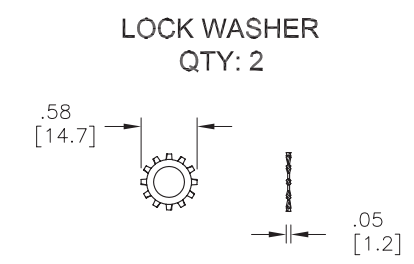
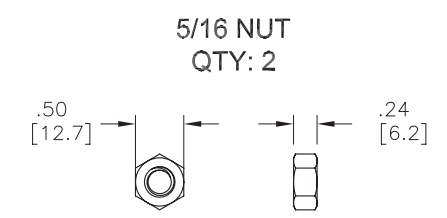
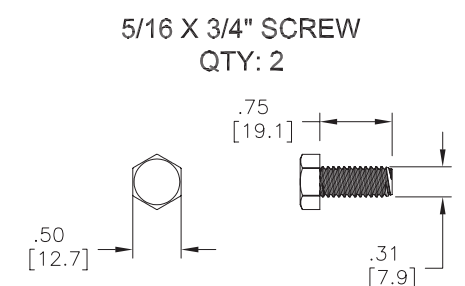
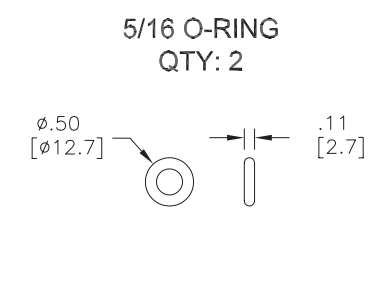
L. SIDE VIEW



FRONT VIEW



R. SIDE VIEW



RoHS
COMPLIANT
2002/95/EC

REVISION NOTIFICATION	
<input type="checkbox"/>	PMA

- NOTES:**
1. ALL DIMS ARE IN INCHES [MILLIMETERS].
 2. **MUST USE STAINLESS STEEL HARDWARE**
 3. (BRACKET) FINISH: BRONZE
 4. (BRACKET) MATERIAL: H.R.S