



Item#: **PLT-20016**
48" LED READY WRAP A-ROUND
INTERIOR FIXTURE

FEATURES

- Prismatic lens for uniform low glare light.
- Die form cold-rolled steel housing.
- LED ready with non-shunted sockets

MOUNTING

- Surface or suspended mounting.

APPLICATION

Ideal for larger warehouses, retail applications, commercial buildings and work areas.

ELECTRICAL

Lamp Type (not included)	T8
Number of Lamps	2
Voltage	120-277V

ENVIRONMENT

Operating Temperature	-4° ~ 122°F
Suitable Location	DAMP
Ingress Protection Rating	IP40

LIFESPAN

Warranty (Years)	2
------------------	----------

CONSTRUCTION

Housing	22 Gauge C.R.S
Lens	Low-Glare Prismatic
Base / Power Supply	Hard Wired
Finish	High Gloss Baked White Enamel

QUALIFICATIONS



* Operating temperature may vary depending on the lamps used.

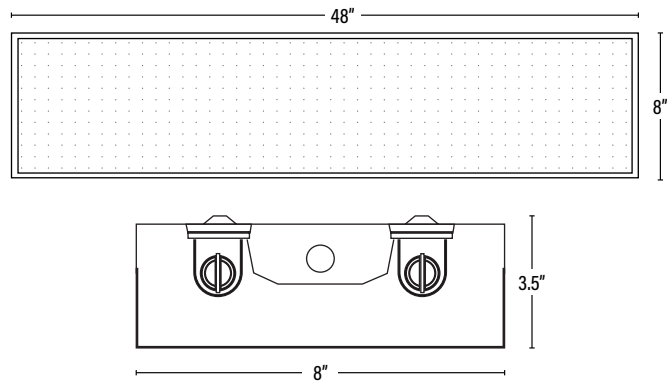
Item#: **PLT-20016**

48" LED READY WRAP A-ROUND

DIMENSIONS (Inches)

Length	48"
Width/Diameter	8"
Height	3.5"
Weight (Lbs)	--

Line drawings may not be to scale and are for general reference only.



PACKAGING

		UPC	DIMENSIONS (LxWxH)	GROSS WEIGHT (Lbs)
Master Carton	1	811768025194	48.6" x 8.5" x 3.7"	7.7
Country of Origin	China			
HS Tariff	9405.10.6020			

ORDERING

ITEM#	DESCRIPTION	CASE
PLT-20016	LED 48" GENERAL PURPOSE WRAP A-ROUND FOR 2/T8	1

ACCESSORIES/REPLACEMENT PARTS

PLT-54896	360° LED LOW/HIGH BAY FIXTURE PIR OCCUPANCY SENSOR 800W/1200W - 120-277V	50
PQL-550232	LENS ONLY FOR GENERAL PURPOSE 8" WRAP A-ROUND	1