

LED 8" WRAP A-ROUND

INSTALL INSTRUCTIONS

WARNING

PLEASE FIND A QUALIFIED ELECTRICIAN FOR INSTALLATION. Please read the instructions before you install and use the luminaire.

WARNING, CAUTIONS AND OPERATING INSTRUCTIONS

- To reduce the risk of death, personal injury or property damage from fire, electric shock, falling parts, cuts/abrasions, and other hazards read all warnings and instructions included with and on the fixture box and all fixture labels.
- Before installing, servicing, or performing routine maintenance upon this equipment, follow these general precautions.
- Commercial installation, service and maintenance of luminaires should be performed by a qualified licensed electrician.
- For The installation: If you are unsure about the installation or maintenance of the luminaires, consult a qualified licensed electrician and check your local electrical code.
- To prevent wiring damage or abrasion, do not expose wiring to edges of sheet metal or other sharp objects.
- Do not make or alter any open holes in an enclosure of wiring or electrical components during kit installation.

WARNING: RISK OF FIRE OR ELECTRICAL SHOCK

- Turn off electrical power at fuse or circuit breaker box before wiring fixture to the power supply.
- Turn off the power when you perform any maintenance.
- Verify that supply voltage is correct by comparing it with the luminaire label information.
- Make all electrical and grounded connections in accordance with the National Electrical Code and any applicable local code requirements.
- All wiring connections should be capped with UL approved wire connectors.

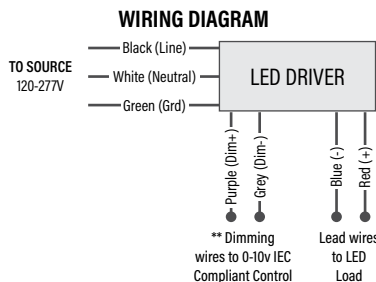
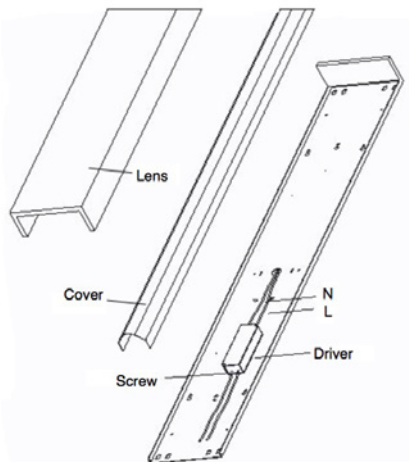
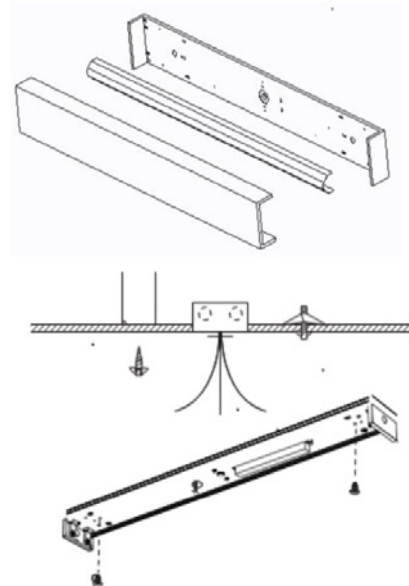
CAUTION: RISK OF INJURY

- Avoid direct eye exposure to the light source while it is on.
- Account for small parts and destroy packing material, as these may be hazardous to children.
- Suitable for Dry or Damp locations.

INSTALLATION



1. Remove lens and wire way cover. Slide lens toward one end while lifting opposite end clear of fixture housing. If not clearing easily, ensure lens has slide past retainer clip inside the end cap.
2. Next squeeze both sides of wire cover until they clear metal tabs and remove cover.
3. Select wiring access point and remove appropriate knock.
4. Select installation point and locate studs
5. For rear access points feed wires through hole
6. Using 1" mounting screw or 3"x3/16 toggle bolts secure fixture in place using keyhole slots provided.
7. After making wiring connections, replace wire cover and diffuser into place
8. Restore power to branch circuit and energize the luminaire



Please check DLC website for the most current list of approved items - www.designlights.org
Published lumens on LED products are approximate and may vary slightly.