



Item#: **50106**
LANDSCAPE LIGHTING
 BRASS CATALINA NARROW FLOOD

The Catalina narrow flood is a heavy duty low voltage outdoor flood that uses a LED MR16 lamp. The Fixture head easily adjusts for precise lighting.

FEATURES

- PTFE 250C, 300V, Teflon wire with half strip included
- Silicone Wire Nuts are included
- Borosilicate heat resistant convex glass

APPLICATION

Ideal for wall washing, area illumination and landscape lighting.

ELECTRICAL

Supported Lamp Type	MR16
Voltage	12V
Base	GU5.3

LIGHTING PERFORMANCE

Beam Angle	Flood
Dimmable Lighting Control	

ENVIRONMENT

Suitable Location	WET
Ingress Protection Rating	IP65

LIFESPAN

Warranty (Years)	5
------------------	----------

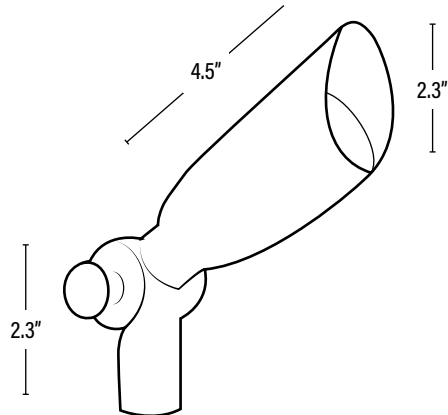
CONSTRUCTION

Housing	Brass / PC
Lens	Clear
Base / Power Supply	Hard Wired
Finish	Bronze

DIMENSIONS (Inches)

Length	4.5"
Width/Diameter	2.3"
Height	See Line Drawing
Weight (Lbs)	--

Line drawings may not be to scale and are for general reference only.



Item#: **PLT-10742**
LANDSCAPE LIGHTING

PACKAGING		UPC	DIMENSIONS (LxWxH)	GROSS WEIGHT (Lbs)
Master Carton	20	10811768027850	--	--
Individual Box	1	811768027853	--	--
Country of Origin	China			
HS Tariff	9405.40.6000			

ORDERING

ITEM#	DESCRIPTION	CASE
PLT-10742	BRASS CATALINA MR16 NARROW FLOOD/12V - W/PLASTIC SPIKE	20

ACCESSORIES/REPLACEMENT PARTS

PLT-10748	BRASS MOUNTING BASE	50
PLT-10749	ABS MOUNTING STAKE FOR LANDSCAPE FIXTURES	100
PLT-10750	LARGE PVC MOUNTING STAKE FOR LANDSCAPE FIXTURES	100