



Item#: **PLT-10739**
LANDSCAPE LIGHTING
BRASS DEL MAR FLOOD LIGHT

The Del Mar Flood is a heavy duty low voltage outdoor flood that uses a LED bi-pin lamp. The fixture head easily adjusts for precise lighting.

FEATURES

- Tempered heat resistant flat glass
- PTFE 250C, 300V, Teflon wire with half strip included.
- Silicone Wire Nuts are included.


APPLICATION

Ideal for wall washing, area illumination and landscape lighting.

ELECTRICAL

Supported Lamp Type	JC
Voltage	12V
Base Type	G4

LIGHTING PERFORMANCE

Beam Angle	45°
Dimmable Lighting Control	

ENVIRONMENT

Suitable Location	WET
Ingress Protection Rating	IP65

LIFESPAN

Warranty (Years)	5
------------------	----------

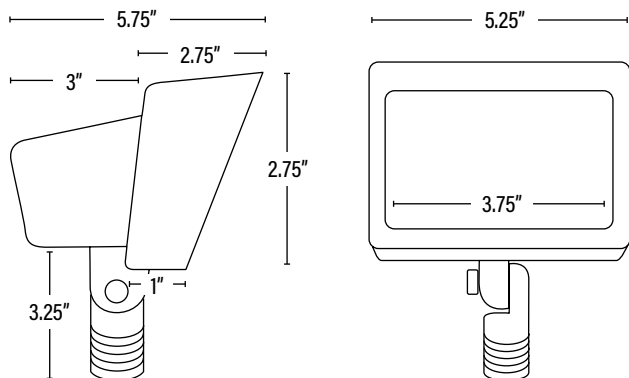
CONSTRUCTION

Housing	Brass / PC
Lens	Clear
Base / Power Supply	Hard Wired
Finish	Bronze

DIMENSIONS (Inches)

Length	5.25"
Width/Diameter	5.75"
Height	See Line Drawing
Weight (Lbs)	--

Line drawings may not be to scale and are for general reference only.



Item#: **PLT-10739**
LANDSCAPE LIGHTING

PACKAGING		UPC	DIMENSIONS (LxWxH)	GROSS WEIGHT (Lbs)
Master Carton	10	10811768027812	--	--
Individual Box	1	811768027815	--	--
Country of Origin	China			
HS Tariff	9405.40.6000			

ORDERING

ITEM#	DESCRIPTION	CASE
PLT-10739	BRASS DEL MAR FLOOD/CLEAR LENS/G4/12V - W/PLASTIC SPIKE	10

ACCESSORIES/REPLACEMENT PARTS

PLT-10748	BRASS MOUNTING BASE	50
PLT-10749	ABS MOUNTING STAKE FOR LANDSCAPE FIXTURES	100
PLT-10750	LARGE PVC MOUNTING STAKE FOR LANDSCAPE FIXTURES	100