



**READ AND FOLLOW ALL SAFETY INSTRUCTIONS!  
SAVE THESE INSTRUCTIONS AND DELIVER TO OWNER AFTER INSTALLATION**

- To reduce the risk of death, personal injury or property damage from fire, electric shock, falling parts, cuts/abrasions, and other hazards please read all warnings and instructions included with and on the fixture box and all fixture labels.
- Before installing, servicing, or performing routine maintenance upon this equipment, follow these general precautions.
- Installation and service of luminaires should be performed by a **qualified licensed electrician**.
- Maintenance of the luminaires should be performed by person(s) familiar with the luminaires' construction and operation and any hazards involved. Regular fixture maintenance programs are recommended.
- It will occasionally be necessary to clean the outside of the refractor/lens. Frequency of cleaning will depend on ambient dirt level and minimum light output which is acceptable to user. Refractor/lens should be washed in a solution of warm water and any mild, non-abrasive household detergent, rinsed with clean water and wiped dry. Should optical assembly become dirty on the inside, wipe refractor/lens and clean in above manner, replacing damaged gaskets as necessary.
- **DO NOT INSTALL DAMAGED PRODUCT!** This luminaire has been properly packed so that no parts should have been damaged during transit. Inspect to confirm. Any part damaged or broken during or after assembly should be replaced.
- Recycle: For information on how to recycle LED electronic products, please visit [www.epa.gov](http://www.epa.gov).
- These instructions do not purport to cover all details or variations in equipment nor to provide every possible contingency to meet in connection with installation, operation, or maintenance. Should further information be desired or should particular problems arise which are not covered sufficiently for the purchaser's or owner's purposes, this matter should be referred to Acuity Brands Lighting, Inc.




**WARNING**  
**RISK OF ELECTRIC SHOCK**

- ✓ Disconnect or turn off power before installation or servicing.
- ✓ Verify that supply voltage is correct by comparing it with the luminaire label information.
- ✓ Make all electrical and grounded connections in accordance with the National Electrical Code (NEC) and any applicable local code requirements.
- ✓ All wiring connections should be capped with UL approved recognized wire connectors.




**WARNING**  
**RISK OF BURN**

- ✓ Allow lamp/fixture to cool before handling. Do not touch enclosure or light source.
- ✓ Do not exceed maximum wattage marked on luminaire label.
- ✓ Follow all manufacturer's warnings, recommendations and restrictions for: driver type, burning position, mounting locations/methods, replacement and recycling.



**CAUTION**  
**RISK OF INJURY**

- ✓ Wear gloves and safety glasses at all times when removing luminaire from carton, installing, servicing or performing maintenance.
- ✓ Avoid direct eye exposure to the light source while it is on.



**CAUTION**  
**RISK OF FIRE**

- ✓ Keep combustible and other materials that can burn, away from lamp/lens.
- ✓ Do not operate in close proximity to persons, combustible materials or substances affected by heat or drying.



**CAUTION: RISK OF PRODUCT DAMAGE**

- ✓ Never connect components under load.
- ✓ Do not mount or support these fixtures in a manner that can cut the outer jacket or damage wire insulation.
- ✓ Unless individual product specifications deem otherwise: Never connect an LED product directly to a dimmer packs, occupancy sensors, timing devices, or other related control devices. LED fixtures must be powered directly off a switched circuit.
- ✓ Unless individual product specifications deem otherwise: Do not restrict fixture ventilation. Allow for some volume of airspace around fixture. Avoid covering LED fixtures with insulation, foam, or other material that will prevent convection or conduction cooling.
- ✓ Unless individual product specifications deem otherwise: Do not exceed fixtures maximum ambient temperature.
- ✓ Only use fixture in its intended location.
- ✓ LED products are Polarity Sensitive. Ensure proper Polarity before installation.
- ✓ Electrostatic Discharge (ESD): ESD can damage LED fixtures. Personal grounding equipment must be worn during all installation or servicing of the unit.
- ✓ Do not touch individual electrical components as this can cause ESD, shorten lamp life, or alter performance.
- ✓ Some components inside the fixture may not be serviceable. In the unlikely event your unit may require service, stop using the unit immediately and contact an ABL representative for assistance.
- ✓ Always read the fixtures complete installation instructions prior to installation for any additional fixture specific warnings.

**Please see product specific installation instructions for additional warnings or any applicable FCC or other regulatory statements.**

**Failure to follow any of these instructions could void product warranties. For a complete listing of product Terms and Conditions, please visit [www.acuitybrands.com](http://www.acuitybrands.com).**

<b>Our Brands</b>	Indoor/Outdoor Lithonia Lighting Carandini Holophane RELOC Light Concepts	Indoor Lighting Gotham Mark Architectural Lighting Peerless Renaissance Lighting Winona Lighting	Outdoor Lighting American Electric Lighting Antique Street Lamps Hydrel Tersen	Controls DARK TO LIGHT LC&D ROAM Sensor Switch Synergy	Daylighting SunOptics
-------------------	--	---	--	---	--------------------------

**Acuity Brands Lighting, Inc. assumes no responsibility for claims arising out of improper or careless installation or handling of its products.**

ABL LED General Warnings, Form No. 503.203

© 2010 Acuity Brands Lighting, Inc. All rights reserved. 12/01/10

### SECTION 1: INSTALLATION IBH LED 2FT length shown (Note: current IBH LED is only setup for commercial use)

- 1) Disconnect all power to the existing luminaire and remove the existing luminaire from the ceiling. Inspect the existing mounting location for damage before install the new IBH LED low bay in this location.
- 2) Remove the new LED fixture from packaging and inspect for any damages. Handle new LED fixture with care. If damaged do not use; call your local rep for replacement.
- 3) CHAIN MOUNT EXAMPLE; Install the chain into the provided wire hanger. Secure the other end of the chain to a structure using hardware rated for the load. Install the wire hanger onto the side of the top IBH LED channel. Contact factory or agency concerning areas that have high vibration, or over head cranes and/or high velocity. SEE FIGURE 1.
  - ⚠ Make sure the wiring hangers are fully engaged into the side holes on the top channel. If using "S" hooks, make sure all loops are crimped closed.
- 4) Connect the LED low bay wiring to line wire, black-to-black, white-to-white and green-to-green. Use only UL listed wiring connectors 105C (or greater) and UL listed wiring (105C or greater). Use only UL listed cords.
  - \*\*NOTE:** Purple and gray lead inside the driver compartment are 0-10V (low voltage) dimming leads. Connect to dimming low voltage wiring only.
- 5) Clean all residues/fingerprints from the new LED low bay and lens. Double check all hanging hardware before moving onto the next installation.

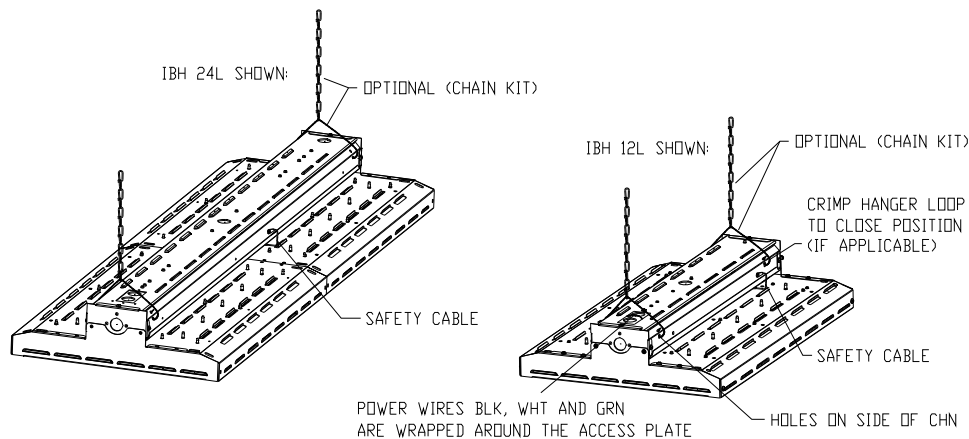
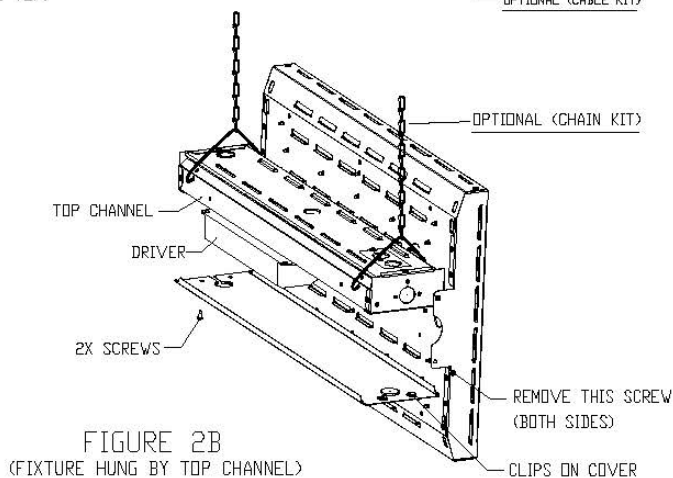
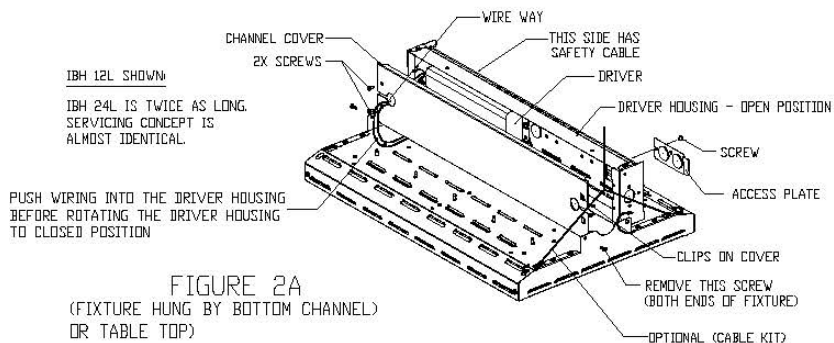


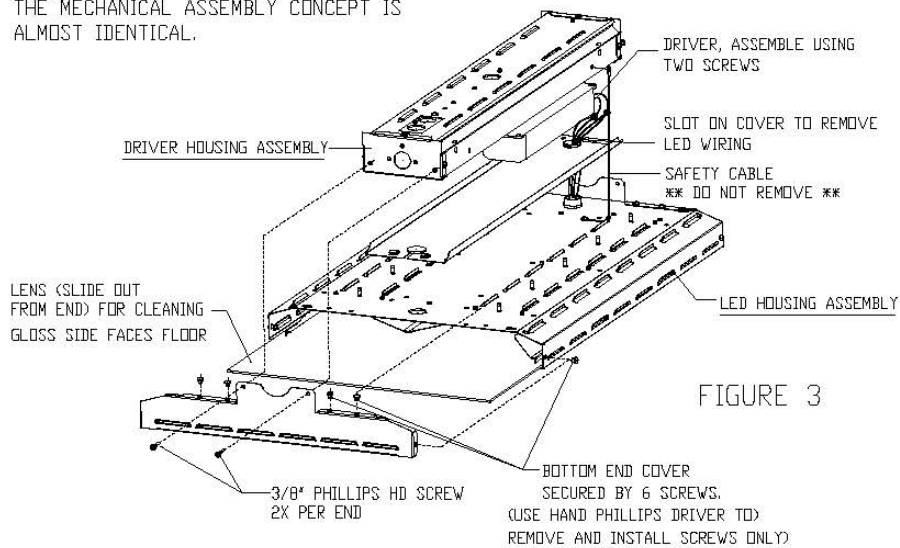
FIGURE 1

### SECTION 2: SERVICING IBH 12L SHOWN

- 1) Disconnect all power to the IBH low bay being service.
- 2) To access the driver, remove the two screws at the ends opposite the safety cable side.
- 3) Rotate top driver housing to its side and remove the two screws holding the channel cover. FIGURE 2A.
- 4) Rotate the led housing to its side (if hanging by the top channel). SEE FIGURE 2B.
- 5) Slide the channel cover off its securing clips. SEE FIGURE 2.
- 6) Install new driver if needed in the same location. Make sure the new driver has same electrical specifications as the old driver. Mark all wiring before remove the old driver.
- 7) Make sure to install the EMI ferrite core onto the power leads of the new driver. If present in your assembly.
- 8) Use only UL listed components, wiring and connectors.
- 9) When service is done, make sure to push all led wiring back into the driver housing before rotating the driver housing to closed position. SEE FIGURE 2A and FIGURE 2B. Do not let wiring get caught outside the two assemblies.
- 10) To clean lens, remove one bottom end cover and slide lens out. **NOTE:** LED housing is made from aluminum sheets. Do not over tighten screws when re-installing the end cover. Use hand held screw driver **ONLY** to remove and install screws.
- 11) Slide lens out slowly and clean both sides of lens. Clean lens will ensure optimal light output. SEE FIGURE 3.
- 12) Reinstall the lens and end cover when cleaning is done. Gloss side of lens faces floor.
- 13) Maintenance of the luminaires should be performed by person(s) familiar with the luminaires' construction and operation and any hazards involved. Regular fixture maintenance programs are recommended for optimal light output.



IBH 12L SHOWN:  
IBH 24L IS TWICE AS LONG.  
THE MECHANICAL ASSEMBLY CONCEPT IS  
ALMOST IDENTICAL.



Five-year limited warranty. Warranty terms are located at (U459430 REV F)