

LED SHOEBOX FIXTURE

24W / 48W / 100W / 150W / 200W / 300W

INSTALL INSTRUCTIONS

SPECIFICATIONS

ITEM#	DESCRIPTION	WATTS	COLOR	LUMENS	CRI	VOLT	HOURS
83505	LED SHOE BOX FIXTURE 24W/50K/90-295V-4" SQ POLE/WALL MOUNT/BRONZE - SL®	24	5000K	2274	75	90-295	50,000
83509	LED SHOE BOX FIXTURE 48W/50K/90-295V-4" SQ POLE/WALL MOUNT/BRONZE - SL®	48	5000K	5006	75	90-295	50,000
83512	LED SHOE BOX FIXTURE 100W/50K/90-295V-4" SQ POLE/WALLMOUNT/BRONZE - SL®	100	5000K	9780	75	90-295	50,000
83517	LED SHOE BOX FIXTURE 150W/50K/90-295V-4" SQ POLE/WALLMOUNT/BRONZE - SL®	150	5000K	14825	75	90-295	50,000
83520	LED SHOE BOX FIXTURE 200W/50K/90-295V-4" SQ POLE/WALLMOUNT/BRONZE - SL®	200	5000K	20424	70	90-295	50,000
83522	LED SHOE BOX FIXTURE 300W/50K/90-295V-4" SQ POLE/WALLMOUNT/BRONZE - SL®	300	5000K	29002	70	90-295	50,000

This fixture is suitable for wet locations, IP65.

Published lumens on LED products are approximate and may vary slightly.

WARNING

Installation, wiring or maintenance must be handled by professional technicians. Turn power off; to ensure reliable grounding and personal safety.

Do not cover any part of the fixture; this can cause overheating.

If wall mounting; the wall should be of sufficient strength to hold the fixture's weight.

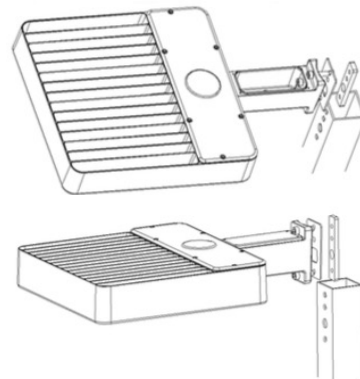
Do not use in areas that are not properly ventilated from strong fumes.

PLEASE FIND A QUALIFIED ELECTRICIAN FOR INSTALLATION



FIXED 4" SQUARE POLE MOUNT

1. Connect lamp power input line with main power cord.
2. Attach mounting bracket to pole, tighten the screws, the installation is completed.



ADJUSTABLE SLIP FITTER (Item#: 83530)

1. Lamp pole diameter should be less than connection tube diameter; loosen screws on connection tube.
2. Remove the 4" Square Pole Mount
3. Connect lamp power input line with main power cord.
4. Put lamp pole into connection tube, then tighten the screws, the installation is completed.
5. Lighting angle can be adjusted as required.



83530

