



Item#: **PLT-20051**  
**LED 48" T8 VAPOR TIGHT**  
LED READY FIXTURE

#### FEATURES

- Use 30% less energy than a traditional fluorescent fixture
- Gasketing formed to housing provides a seamless seal
- Die formed galvanized steel mounting brackets with each fixture
- Stainless steel clips
- LED ready with non-shunted sockets
- Surface or chain mounting options
- 18 AWG 3 Conductor (10A /-40°C ~ 90°C /Dia .305")

#### APPLICATION

Ideal for larger warehouses, commercial buildings and work areas.

#### ELECTRICAL

Lamps Type (not included)	T8
Number of Lamps	4
Voltage	120-277V

#### ENVIRONMENT

Operating Temperature	-20°C ~ 40°C
Suitable Location	<b>WET</b>
Ingress Protection Rating	IP65

#### LIFESPAN

Warranty (Years)	<b>2</b>
------------------	----------

#### CONSTRUCTIONS

Housing	Polycarbonate
Base / Power Supply	Hard Wired / Non-Shunted Sockets
Clips	Stainless Steel
Finish	White

#### CERTIFICATIONS



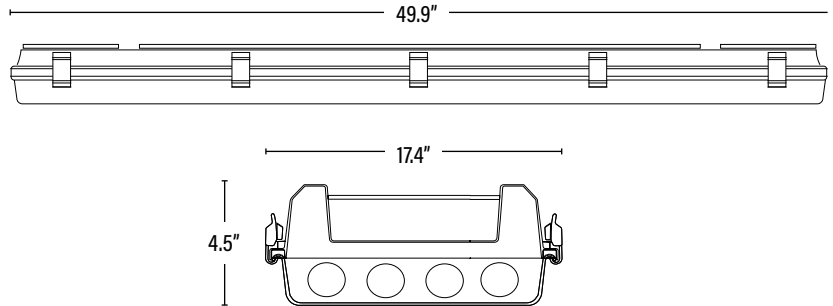
*Operating temperature may vary depending on lamps used.*

Item#: **PLT-20051**  
**LED 48" T8 VAPOR TIGHT**

**DIMENSIONS** (Inches)

Length	49.9"
Width/Diameter	17.4"
Height	4.5"
Weight (Lbs)	--

Line drawings may not be to scale and are for general reference only.



**PACKAGING**

		UPC	DIMENSIONS (LxWxH)	GROSS WEIGHT (Lbs)
Master Carton	1	10811768027591	--	--
Individual Box	--	811768027587		
Country of Origin	China			
HS Tariff	9405.10.6020			

**ORDERING**

ITEM#	DESCRIPTION	CASE
PLT-20051	LED VAPOR TIGHT 48" (4) T8/FROSTED LENS	1