

sunlite®

INSTALLATION INSTRUCTIONS

85140-SU | LFX/SHOP/40W/E/40K | LED SHOPLIGHT FIXTURE

Please read and understand this entire manual before attempting to assemble, operate or install the product.



WARNING: Avoid fire or electric shock. Follow installation instructions carefully. If unsure about electrical installation, consult a qualified electrician. Wear rubber-soled shoes and work on a sturdy wooden ladder. Ground fixture to avoid potential electric shock. Handle metal parts carefully to prevent cuts. To avoid a hazard to children, account for all parts and destroy all packing materials. This device complies with part 18 of the FCC rules.

CAUTION: Turn off the power at fuse or circuit breaker box before installation and maintenance. NOTE: This fixture should be used on a 120-Volt fused circuit (check fixture labeling). Fixture must be installed according to National Electric Code and local building codes. If you are unsure about wiring, consult a qualified electrician. DO NOT USE ON A DIMMING CIRCUIT.



Introduction

Select suitable location that can support the weight of the fixture. Determine method of mounting before drilling.

Measure the appropriate distance required for installing the screws based on the method being used.

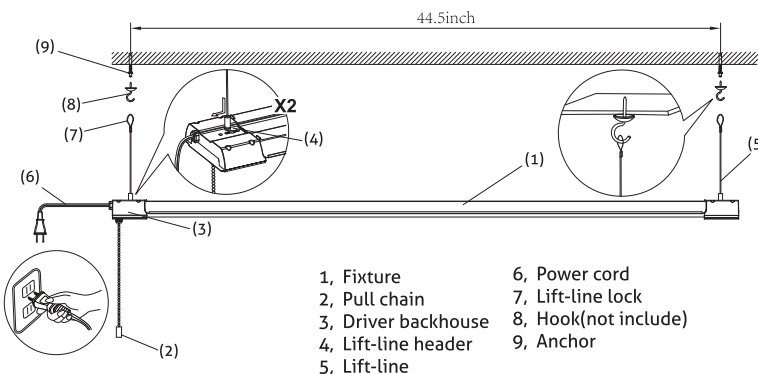
Suitable for use in the following locations:

- Ambient Temp: -20~+40°C
- Indoor use only
- Damp locations

Installation

Hanging method

1. Drill two holes 44.5" apart using the appropriately sized drill bit into ceiling. Insert the provided anchors (9) into the holes.*
2. Screw provided hooks (8) into anchors (9)
3. Secure the Lift-line loop (7) to the installed hooks (8)
4. Put the Lift-line header (4) through the Driver backhouse(3) and slide the lift-line header to left or right.
5. Plug the power cord (6) into the power supply, then pull the Pull-Chain down to turn on.



*Securing fixture to ceiling method

2. Install screws into anchors.
3. Push fixture up to ceiling until installed screw heads are in the fixture mounting holes and then slide the fixture left or right to secure.

You may need to adjust the depth of the screws to ensure a tight fit.

