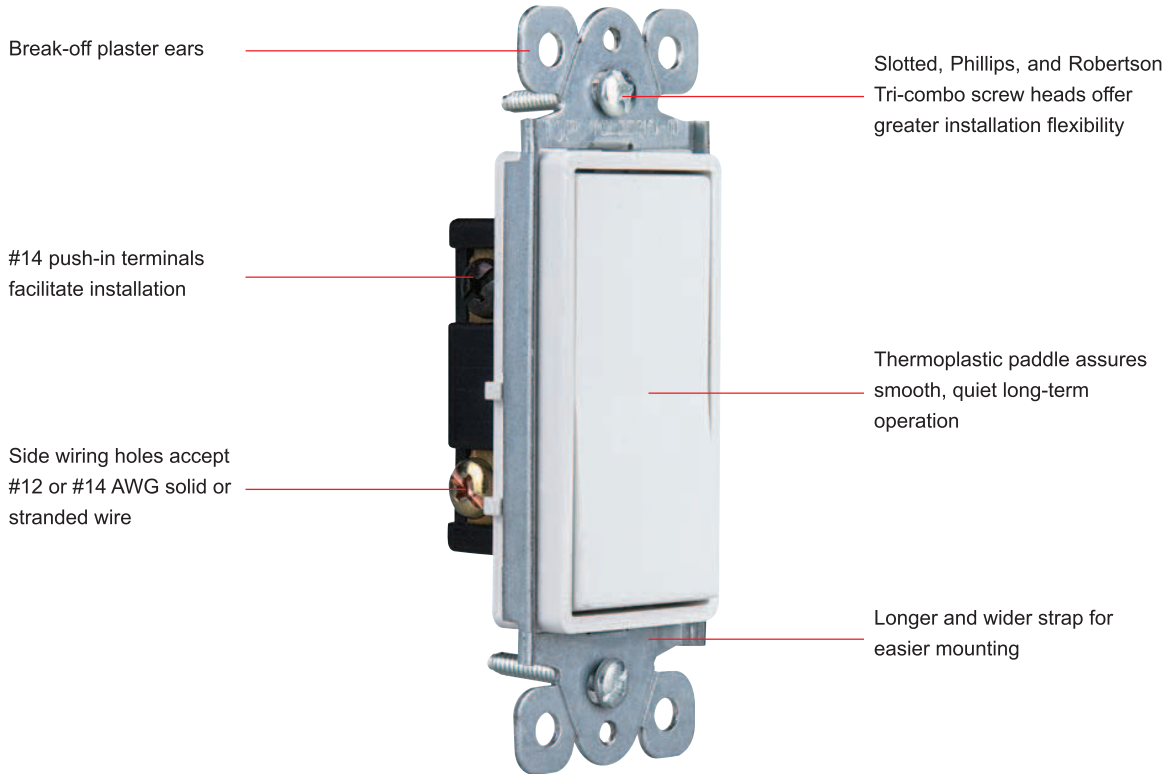
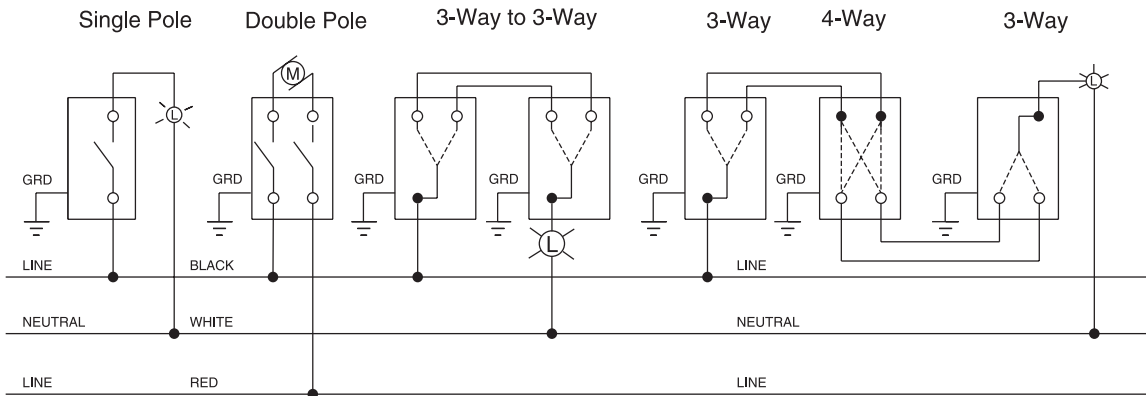


Decorator Switches



93150-W

Wiring Diagrams: Single Pole, Double Pole, 3-Way, 4-Way



Residential Grade

Features:

- Made of thermoplastic material
- Smooth, quiet paddle action
- Narrow body leaves more room for wires in the box
- High-impact resistant thermoplastic construction
- Washer-type break-off plaster ears for best flush alignment
- Captive mounting screws
- Push in terminals for quick installation
- Easy-access green hex head ground screw
- Various colors available

- Two years warranty

Material Characteristics:

- Environmental: Flammability UL94, V2 Rating
- Operating Temperatures: From -104°F (without impact) to 167°F maximum continuous

Testing & Code Compliance:

- UL Listed
- ISO9001 Registered Manufacturing Facility

E



91150-W in S18831-W



94150-W in S18831-W

AC Quiet Decorator Switches,
15 AMP Push-In and Side Wired 120/277 VAC

DESCRIPTION	CAT. NO.	COLOR
Single-Pole	91150-A	Almond
	91150-BK	Black
	91150-BR	Brown
	91150-I	Ivory
	91150-LA	Light Almond
	91150-W	White
Three-Way	93150-A	Almond
	93150-BK	Black
	93150-BR	Brown
	93150-I	Ivory
	93150-LA	Light Almond
	93150-W	White
Four-Way	94150-A	Almond
	94150-BR	Brown
	94150-I	Ivory
	94150-W	White

