

# Quartz Light Adapter, slip fit 2-3/8" tenon

For 1/2" NPT threads



- External Mounting
- Finish Dark Bronze
- Shipped with hardware assembled

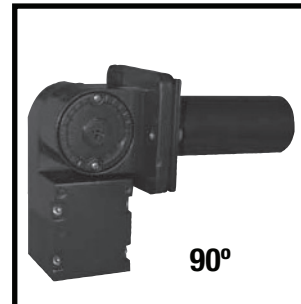
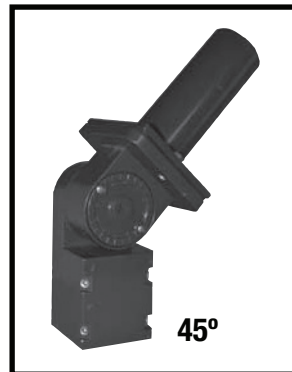
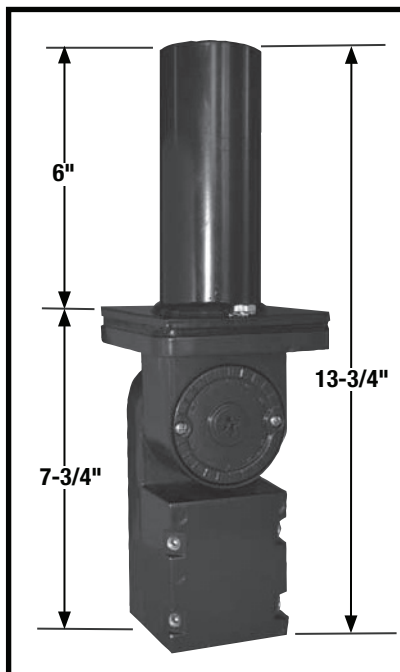
### Catalog Number

QLA2.5

Quartz light adapter slip fits 2-3/8"

# Heavy Duty Adjustable Knuckle Fitter

Tenon Mount



- Adjustable Knuckle
- 2-3/8" x 6" Long tenon (Shown)
- Powder coat dark bronze
- Slip fits 2-3/8" O.D. tenon

### Catalog Number

◆ FXSF-DB

Heavy Duty Adjustable Knuckle Fitter