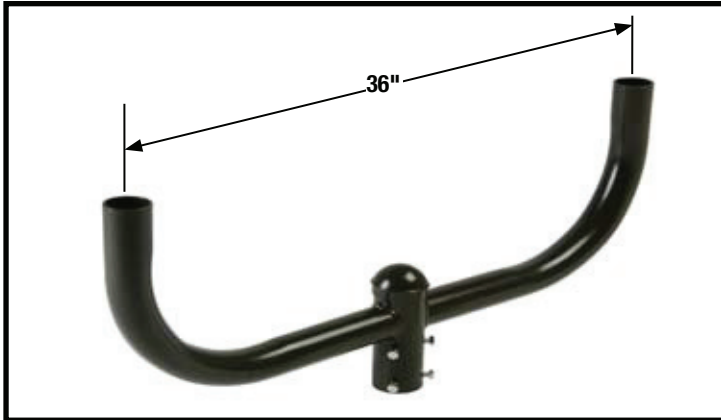


# Bull Horn Bracket - Two Light

## Pole Top Mounting



• Shipped with removable cap & mounting hardware assembled

### Finish :

Dark Bronze = DB  
 Black = BLK  
 White = WH  
 Grey = GRY  
 Natural Aluminum = NA  
 Hot Dip Galvanized = G

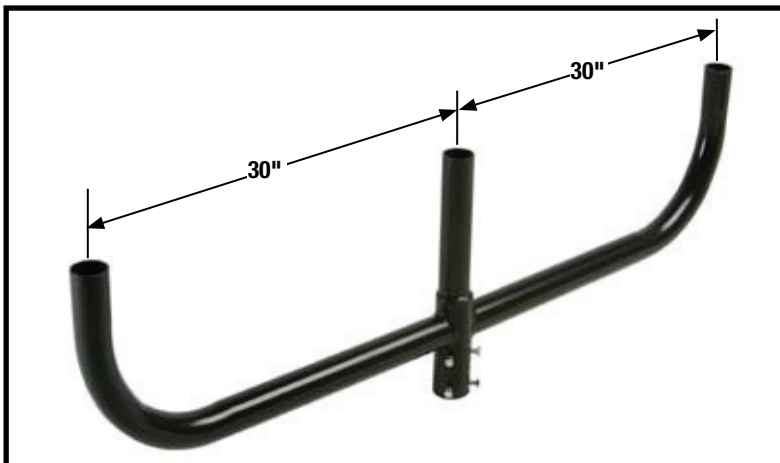


### Steel

Catalog Number	Pole Tenon Size	Wt/LBS
◆ S2-S36-2	2-3/8"	20
◆ S2-S36-3	2-7/8"	22
S2-S36-4	4"	25
◆ S2-S36-2DB		

# Bull Horn Bracket - Three Light

## Pole Top Mounting



• Shipped with mounting hardware assembled

### Finish :

Dark Bronze = DB  
 Black = BLK  
 White = WH  
 Grey = GRY  
 Natural Aluminum = NA  
 Hot Dip Galvanized = G

### Steel

Catalog Number	Pole Tenon Size	Wt/LBS
◆ S3-S30-2DB	2-3/8"	31
S3-S30-3	2-7/8"	33
S3-S30-4	4"	37