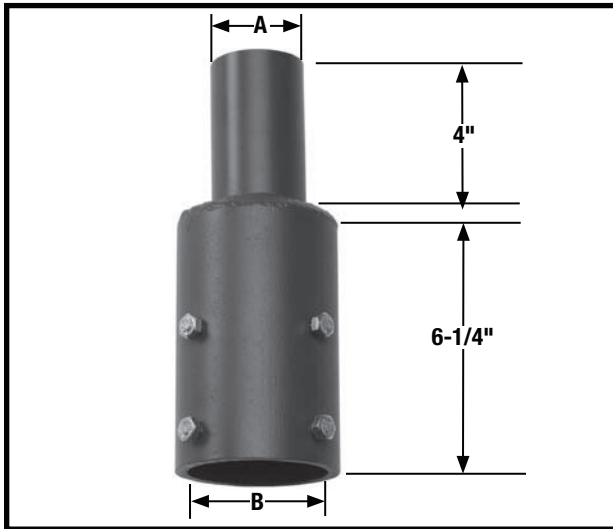


External Tenon Reducer for Round Poles



Pole Top Mounting

- Custom sizes can be manufactured for specific applications
- Shipped with mounting hardware assembled
- External mounting

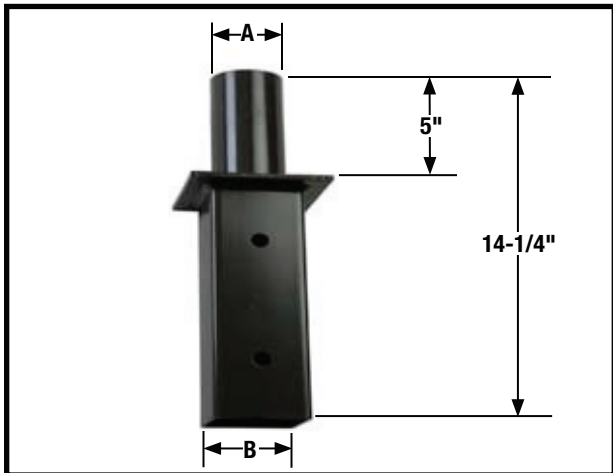
Finish :

Dark Bronze = DB
 Black = BLK
 White = WH
 Grey = GRY
 Natural Aluminum = NA
 Hot Dip Galvanized = G

Steel

Catalog Number	A (O.D.)	B (I.D.)	Wt/LBS
◆ TR-30-2	2-3/8"	3-1/4" for 3" O.D. pole top	9
◆ TR-35-2	2-3/8"	3-13/16" for 3-1/2" O.D. pole top	10
◆ TR-40-2	2-3/8"	4-1/4" for 4" O.D. pole top	9
TR-40-3	2-7/8"	4-1/4" for 4" O.D. pole top	10

Internal Tenon Adapter for Square Poles



Pole Top Mounting

- Custom sizes can be manufactured for specific applications
- Shipped with mounting hardware assembled
- Internal mounting

Finish :

Dark Bronze = DB
 Black = BLK
 White = WH
 Grey = GRY
 Natural Aluminum = NA
 Hot Dip Galvanized = G

Steel

Catalog Number	A (O.D.)	B	Wt/LBS
◆ RTASQ4-2DB for 4" square pole	2-3/8"	3"	7
◆ RTASQ5-2DB for 5" square pole	2-3/8"	4"	9
◆ RTASQ6-2DB for 6" square pole	2-3/8"	5"	14
RTASQ4-3.5 for 4" square pole	3-1/2"	3"	9
RTASQ5-3.5 for 5" square pole	3-1/2"	4"	9
RTASQ6-3.5 for 6" square pole	3-1/2"	5"	14