

INSTALLATION INSTRUCTION

H Track Systems

HT2, HT4, HT6, HT8

WAC LIGHTING

Responsible Lighting®

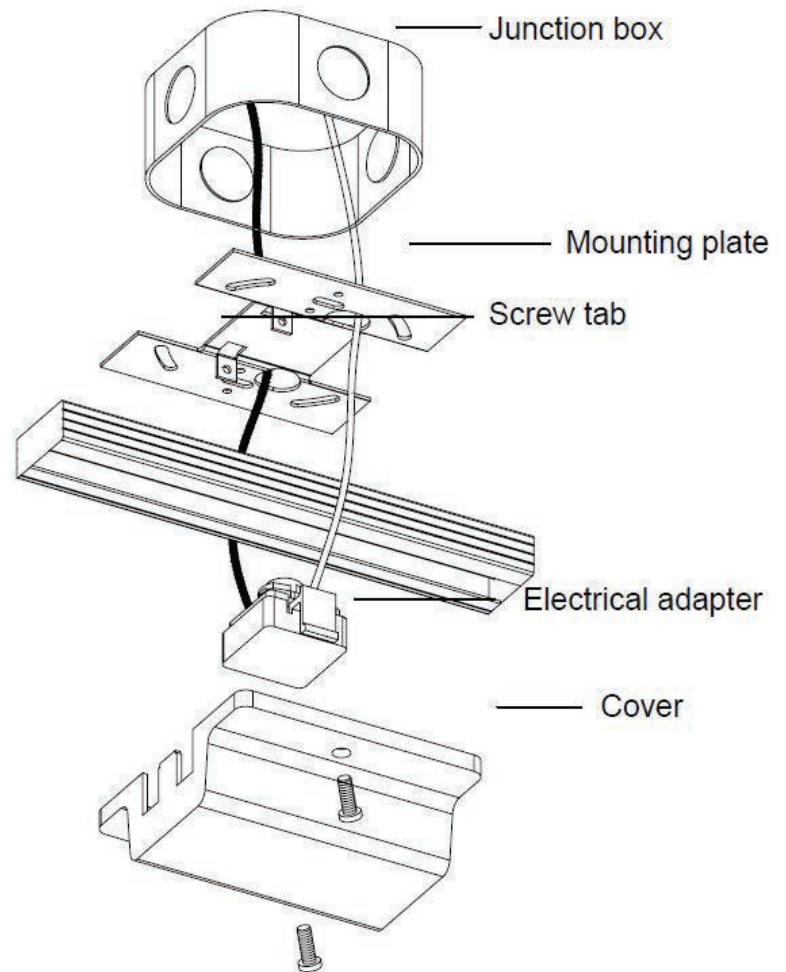
SAFETY INSTRUCTION

- Read all of these instructions before installing the track system.
- Turn off power at main switch before installing or modifying the system.
- Do not install within six inches of any curtain or combustible materials.
- Do not install less than 5 feet above a floor.
- Do not install in damp or wet locations.
- Do not install concealed, or extended through building walls.
- Do not attempt to energize anything other than a track light fixture.
- Do not connect a track to more than one branch circuit. Although track light systems may seem to operate acceptably, a dangerous overload of the neutral may occur and result in a risk of fire.
- Check with a qualified electrician before wiring.
- All installation shall be in accordance with NEC and all local codes
- Save these installation instructions and refer to them when additions or changes to the track configuration are made.

ELECTRICAL FEED FROM A JUNCTION BOX WITH FLOATING CANOPY

The floating canopy covers a junction box and brings power to the track anywhere along its length.

1. Make sure power is off.
2. Remove the electrical adapter from the mounting plate.
3. Secure mounting plate to the junction box using the slotted holes
4. Hold track to the ceiling and mark the position of mounting holes, set the position of the mounting plate. Screw tabs facing downward.
5. Mount track to ceiling following track mounting instructions (see track mounting section).
6. Secure track to the mounting plate. Tighten the screws on both sides.
7. Insert electrical adapter into track below junction box. Route wires along the side of track into the junction box.
8. Connect neutral (white) and hot (black) wires from the ceiling with their respective wires from the track adapter.
9. Connect ground wire from ceiling to green grounding wire from adapter.
10. Tuck excess wire back into the junction box.
11. Replace canopy cover and secure with screws.



INSTALLATION INSTRUCTION

H Track Systems

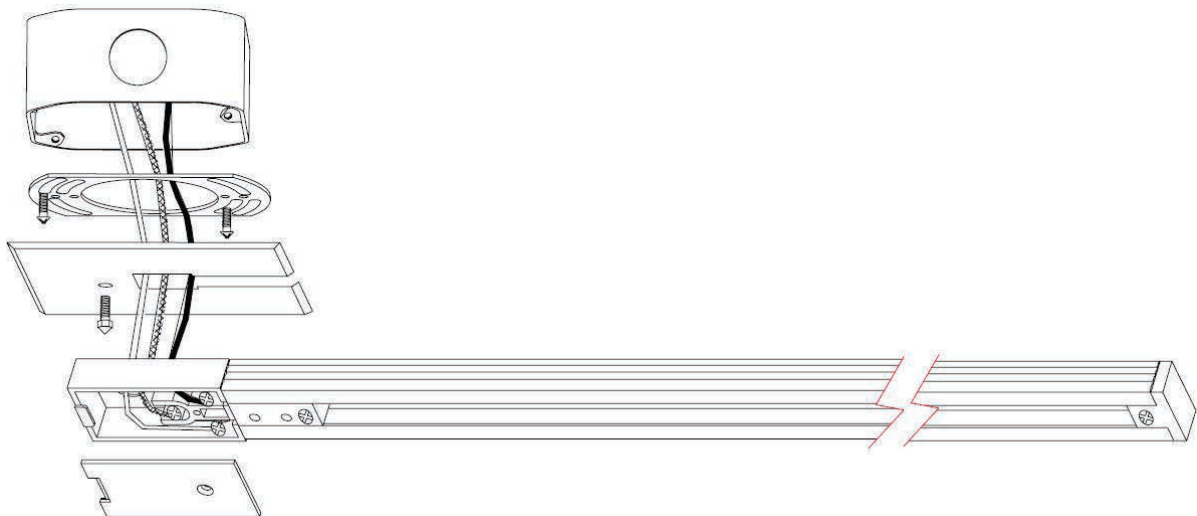
HT2, HT4, HT6, HT8

WAC LIGHTING

Responsible Lighting®

LIVE END ELECTRICAL FEED OVER A JUNCTION BOX

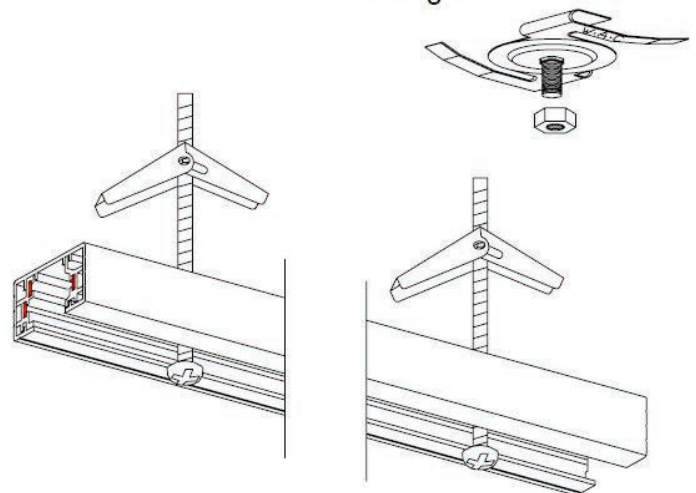
1. Make sure power is off.
2. Note the polarity indicator of the track. The live end can only be installed on one end. Brace the track end cap (opposite the live end) against a solid surface, and insert live end. This is important to achieve good electrical contact.
3. Position live end over center of junction box. Mark track-mounting holes.
4. Remove live end cover and pry out the knock out hole.
5. Use a canopy plate "CP". Attach mounting plate to junction box. Note plate has threaded screw holes, the remaining screw will fit in a slotted hole to permit positioning. The plate will protrude slightly beyond the junction box, but will be covered when completed.
6. Connect neutral (white) wire to the silver screw terminal on the live end marked "N" and Hot (black) wires to the brass colored screw terminal marked "A" on the live end.
7. Connect Ground wire to green wire or screw terminal on the live end. Tuck any excess wire back into the junction box.
8. Replace live end cover and secure with screw.
9. Install the canopy cover to the canopy plate with one screw and the cut out facing the track length.
10. Mount track (see Track Mounting).



MOUNTING TRACK

1. Raise track assembly to ceiling. Mark mounting hole locations. Track support points should be not more than 4' apart. Use a minimum of two support points for 2' and 4' track and three for 6' and 8' track.
2. Drill ceiling holes suitable for the fasteners you intend to use. Toggle wings (supplied) require 1/2 inch holes.
3. If additional holes in track are needed, drill 5/32" holes through the centerline of track (locate holes at least 6" from track ends).
4. Insert bolts through track, and into the toggle wings, tighten 2 or 3 turns.
5. Push toggle wings into ceiling holes. Do not fully tighten toggle bolts until all electrical connections are made.

Use "T" bar clip for grid ceilings.



INSTALLATION INSTRUCTION

H Track Systems

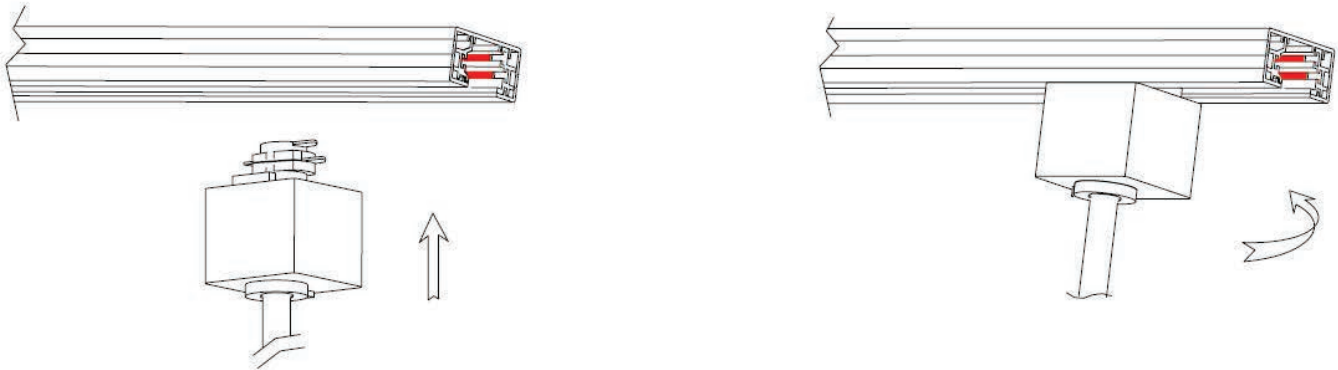
HT2, HT4, HT6, HT8

WAC LIGHTING

Responsible Lighting®

FIXTURE INSTALLATION

1. Note the track head contacts, and the polarity groove running the length of the track.
2. The two contacts should be positioned so that when rotated, they will face the grooved side of the track (this is the side with two flat copper wires running its length).
3. Insert adapter into track slot. Pull downward on the adapter while rotating the adapter 90°.
4. Release the adapter so the locking tab seats in the track slot.
5. Removal is the reverse procedure. Track heads may be positioned anywhere along the track length.



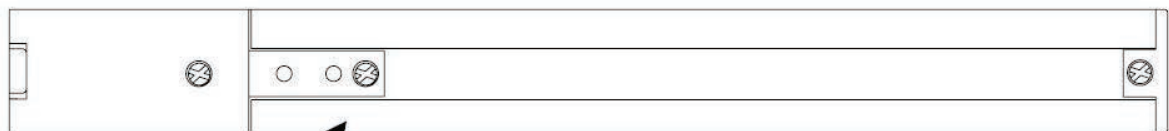
FIXTURE INSTALLATION

Measure the length of track needed, allow for the length of the live end or other connector.

Work at floor level. Note the polarity of the track (the groove in the track indicates the two wire side).

Identify the side that accepts the live end connector.

1. Brace the opposite end of track against a solid surface. Insert the live end and secure by tightening the screw.



Secure this screw

INSTALLATION INSTRUCTION

H Track Systems

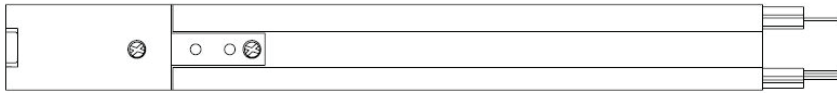
HT2, HT4, HT6, HT8

WAC LIGHTING

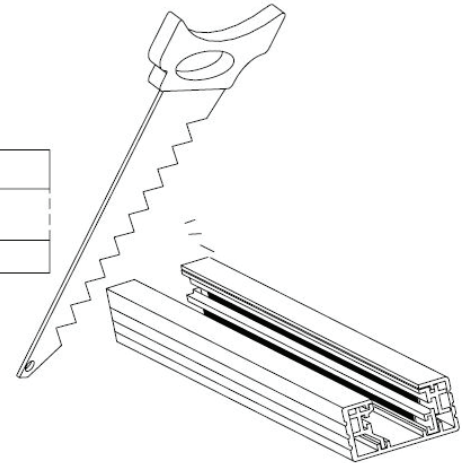
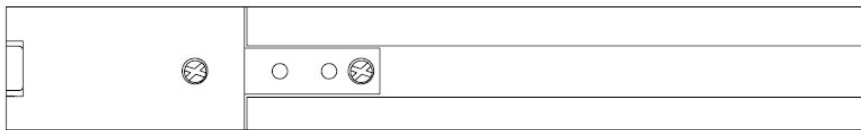
Responsible Lighting®

FIELD CUTTING TRACK CONTINUED

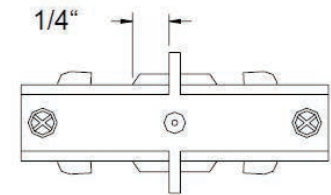
2. Do not allow bus wires and insulation to protrude from the end and do not cut the wires and push insulation back into the track.



3. Make a flush cut through track with a fine-toothed hacksaw. File any rough edges or flash. Brush out any remaining filings.



4. Once the flush cut is made trim 1/4" off the end of the copper bus wire. This will allow sufficient clearance for the end cap for a mating connector. If not performed in this sequence the bus wires will be short and cause faulty contact.



5. When mating to connector already at ceiling level make sure to support connectors at both ends.