



DOSATRON®

WATER POWERED DOSING TECHNOLOGY

14 GPM

D14 MZ 3000

D14 TMZ 3000

D14 MZ 2

D14 TMZ 2

D14 MZ 5

D14 TMZ 5

D 14 MZ 10

D 14 MZ 520

**owner's manual
manual de utilización
manuel d'utilisation**





DOSATRON®

WATER POWERED DOSING TECHNOLOGY

SERVICE CLIENTÈLE
CUSTOMER SERVICE
KUNDENBETREUUNG
SERVIZIO CLIENTI
DEPARTAMENTO CLIENTELA
KLANTENSERVICE

NORTH & CENTRAL AMERICA :
DOSATRON INTERNATIONAL INC.

2090 SUNNYDALE BLVD. CLEARWATER - FL 33765 - USA
Tel. 1-727-443-5404 - Fax 1-727-447-0591
Customer Service: 1-800-523-8499
<http://www.dosatronusa.com>



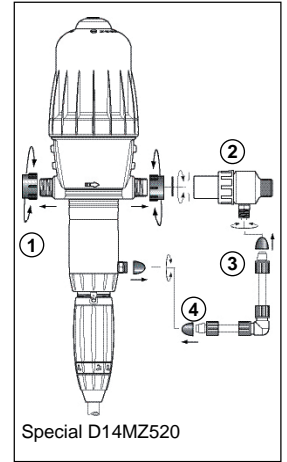
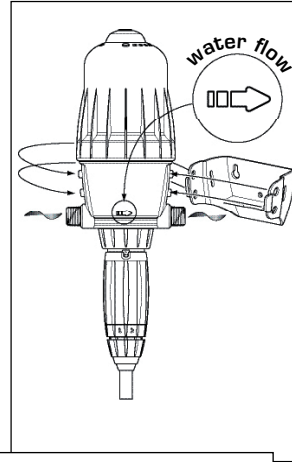
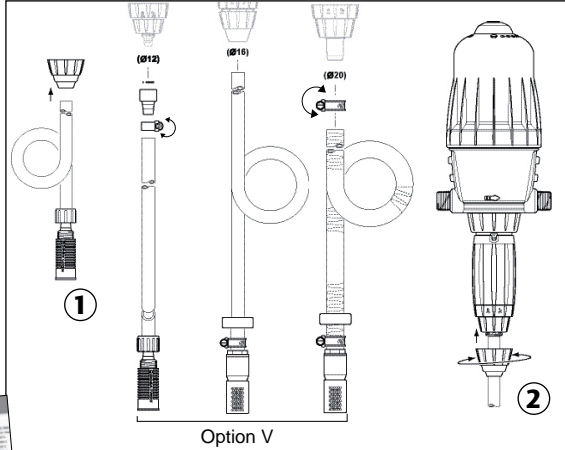
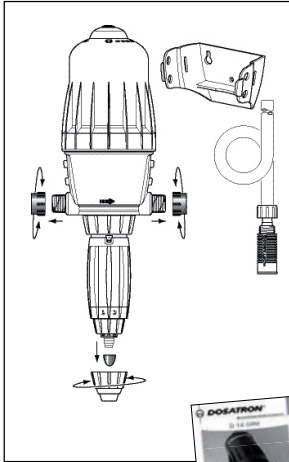
US/English..... Page 3

Spanish..... Seite 29

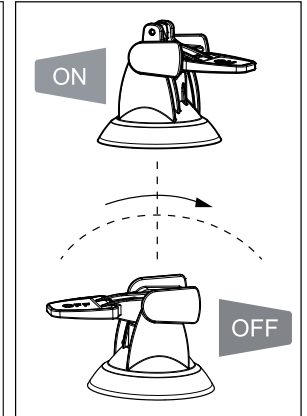
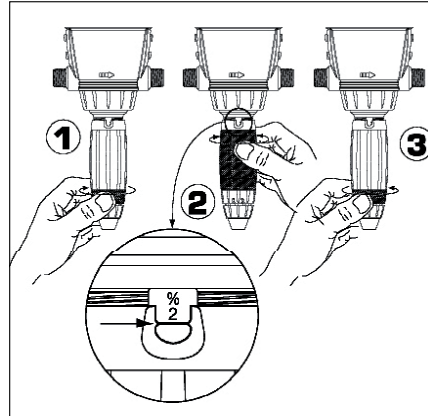
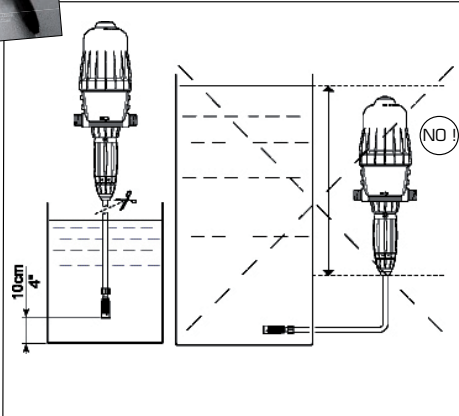
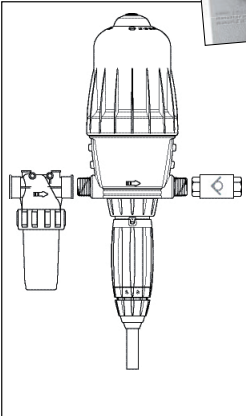
French..... Page 55

Enclosure / Anejos/Annexes/..... 81

Quick start-up



Maximum: 46 clicks/15 sec.*



*D14MZ520 = 30 clicks/15 sec

NOTES

.....

.....

.....

.....

.....

.....

.....

.....

.....

.....

.....

.....

.....

.....

.....

.....

.....

.....

.....

.....

.....

.....

.....

US



This document does not form a contractual engagement on the part of Dosatron International and is for information only. Dosatron International reserves the right to alter product specification or appearance without prior notice.
© DOSATRON INTERNATIONAL S.A.S. 2009

You have just become the owner of one of the latest in the line of DOSATRON water powered metering pumps and we congratulate you on your choice. The development of this model is the result of over 30 years experience. Our engineers have placed the DOSATRON series at the forefront of technical development in the field of in the field of DOSATRON water powered metering pumps. This DOSATRON will, as time goes by, prove itself to be a most faithful ally. A little care and attention, regularly spent, will guarantee you an operation in which the word breakdown has no place.

THEREFORE, PLEASE, READ THIS MANUAL CAREFULLY BEFORE PUTTING THE DOSATRON INTO OPERATION.

Important !
The complete model reference and the serial number of your DOSATRON is stamped **on the pump body**. Please record this number in the space below and refer to it when you call your distributor for information, parts, and service.

Ref. #

Serial #

Purchase Date

.....

SPECIFICATIONS

	D14MZ3000 D14T ⁽¹⁾ MZ3000	D14MZ2 D14T ⁽¹⁾ MZ2
--	---	-----------------------------------

Practical operating flow range:
 (1)
 (2)

Maximum operating temperature:
 (1)
 (2)

Operating pressure:

PSI	4.3 - 85	4.3 - 85
bar	0.30 - 6	0.30 - 6

Externally adjustable or fixed injection rate:

Ratio	1:3000 - 1:333	1:500 - 1:50
%	0.03 - 0.3	0.2 - 2

Concentrated additive injection:

US GPM - MAXI	0.04	0.28
Mini l/h - Maxi l/h	0.0017	0.011
US Fl. oz/min - MINI	0.003 - 9	0.02 - 60

Connections (NPT/BSP male):

Hydraulic motor capacity (for every 2 clicks of the piston):

NOTE: The Dosatron is not preset, see chapter

UNIT SIZE

Diameter: " [cm]	4 7/16 [11.2]	4 7/16 [11.2]
Total height: " [cm]	21 [53]	19 3/32 [48.5]
Width: " [cm]	6 5/16 [16]	6 5/16 [16]
Weight: ± lbs [kg]	3.5 [1.6]	3.7 [1.7]

SHIPPING CONTENTS: 1 DOSATRON / 1 mounting bracket for DOSATRON / 1 suction tube of concentrated additive / 1 strainer / 1 injection suction tube for "IE" model / 1 owner's manual

SPECIFICATIONS

D14MZ5 D14T ⁽¹⁾ MZ5	D14MZ10	D14MZ520 ⁽²⁾
-----------------------------------	---------	-------------------------

..... 1/3 US Pint/min - 14 US GPM [10 l/h mini 3 m³/h maxi]
 0.4 US Pint/min - 14 US GPM [100 l/h mini 3 m³/h maxi]
 1/3 US Pint/min - 9 US GPM [10 l/h mini 2 m³/h maxi]

..... 104 °F [40 °C]
 140 °F [60 °C]
 104 °F [40 °C]

4.3 - 85 0.30 - 6	7 - 85 0.50 - 6	7 - 57 0.50 - 4
----------------------	--------------------	--------------------

1:200 - 1:2 0.5 - 5	1:100 - 1:10 1 - 10	1:20 - 1:4 5 - 25
------------------------	------------------------	----------------------

0.7 0.028 0.05 - 150	1.4 0.056 0.1 - 300	2.2 0.2818 0.5 - 500
----------------------------	---------------------------	----------------------------

..... 3/4" [Ø 20x27 mm]

..... about 0.14 US Gallons [0.53 l]

ADJUSTING THE INJECTING RATE

SPECIFICATIONS

4 7/16 [11.2]	4 7/16 [11.2]	4 7/16 [11.2]
21 3/16 [53.8]	21 3/16 [53.8]	26 1/8 [66]
6 5/16 [16]	6 5/16 [16]	6 5/16 [16]
3.9 [1.8]	4.4 [2]	8.8 [4]

PACKAGE SIZE:
 21 7/8" x 6 5/8" x 5 3/4" [55.2 x 16.5 x 14.5 cm]
PACKAGE WEIGHT: ~ 4.4 - 8.8 US lbs [2 - 4 kg approx]

NOTES

.....

.....

.....

.....

.....

.....

.....

.....

.....

.....

.....

.....

.....

.....

.....

.....

.....

.....

.....

.....

.....

.....

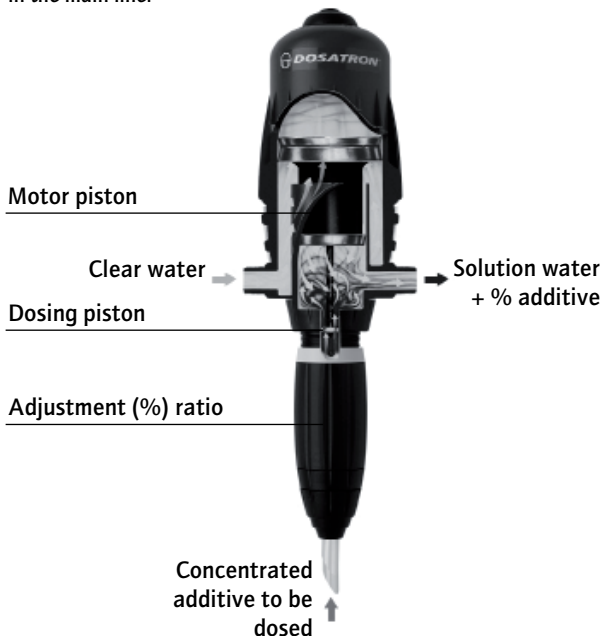
Summary

INSTALLATION	PAGE
Precautions	9
Assembling the Dosatron.....	12
Connecting the external injection.....	14
Installation hints	17
PUTTING INTO ORDER	
Using for the first time	18
MAINTENANCE	
Recommendations.....	19
How to drain the Dosatron.....	19
International conversions.....	20
Fitting the suction tube	20
Adjusting the injection rate.....	20
Changing the motor piston.....	21
Changing seals in the injection assembly.....	22
REFERENCE DESIGNATION	24
TROUBLESHOOTING	25
LIMITED WARRANTY	27

Precise, simple and reliable

A unique technology associating all dosing functions

Installed directly in the water supply line, the DOSATRON operates by using water pressure as the power source. The water activates the DOSATRON, which takes up the required percentage of concentrate. Inside the DOSATRON, the concentrate is mixed with the water. The water pressure forces the solution downstream. The dose of concentrate will be directly proportional to the volume of water entering the DOSATRON, regardless of variations in flow or pressure which may occur in the main line.



Installation

PRECAUTIONS

1 - GENERAL REMARKS

- When connecting a DOSATRON either to the public water supply or to its own water source, you must respect the regulations in force concerning protection of the source i.e. backflow prevention, etc.

- When connecting the DOSATRON to the water supply, ensure that the water flows in the direction of the arrows on the unit.

- In a case where the water installation is higher than the DOSATRON itself, there is a possible risk of water and concentrate flowing back through the DOSATRON. In this case, installing a non-return valve downstream is recommended.

- It is recommended that you should place an anti-siphon valve on the downstream side of the dosing pump in installations in which there is a risk of siphoning.

- Do not install the DOSATRON just above an acid container, (risk of acid fumes attacking the DOSATRON) and protect it from possible contact with corrosive products.

- Protect the DOSATRON from freezing temperatures by draining it and store it away from sources of

excessive heat.

- Do not install the DOSATRON on the suction side of the supply pump (risk of siphoning).

⚠ IMPORTANT ! Use no tool or metallic utensils.

- During any intervention the operator must stay in front of the DOSATRON and wear protective eyewear and gloves.

- It is the responsibility of the owner/operator to replace the injection seals annually to ensure precise injection.

The setting of the Dosatron's dosing rate is the sole responsibility of the user. The user has to respect the recommendations given by the manufacturer of the chemical product.

⚠ AVERTISSEMENT

When installing, operating, and maintaining the DOSATRON water powered metering pump, keep safety considerations foremost. Use proper tools, protective clothings, and eye protection when working on the equipment and install the equipment with a view toward ensuring safe operation.

PRECAUTIONS (cont...)

1 - GENERAL REMARKS(cont...)

Follow the instructions in this manual and take additional safety measures appropriate to the liquid being pumped and the temperature of the water that powers the DOSATRON.

Be extremely careful in the presence of hazardous substances (e.g. corrosives, toxins, solvents, acids, caustic, flammables, etc.).

- Before applying any aggressive chemicals, please consult your distributor to confirm compatibility with the dosing pump.

- **When installing the DOSATRON on a hot water system (140°F/ 60°C max.), a dosing unit with "T"-option is required. High temperature increases the risk and the dangerousness of the substances mentioned above. It is strongly recommended to identify and label the dosing unit and the complete hot water installation as such, and to respect the corresponding regulations in force.**

IMPORTANT!

It is the responsibility of the owner/operator to check that the flow and pressure of the installation do not exceed the DOSATRON characteristics.

- Adjustment must be made when there is no pressure in the Dosatron.

- Turn off the water supply and allow the pressure to drop to zero.

- It is the responsibility of the owner/operator of the DOSATRON, to determine the correct amount of solution and injection ratio to obtain the desired result.

- An air inlet, an impurity or a chemical attack on seal can interrupt the dosing function. It is recommended to periodically check that the solution is being correctly drawn up into the DOSATRON.

- Change the suction tube as soon as it seems damaged by the chemical.

- Relieve the pressure after use (advised).

- Rinsing of the DOSATRON is required:

. when changing chemicals,

. before handling the DOSATRON, to avoid any contact with the chemical.

- All assembly should be done without tools, hand tighten only.

2 - WATER WITH HIGH PARTICLE CONTENT

- A (ex.: 50 mesh - 300 microns depending on your water quality) water filter must be installed upstream from the DOSATRON (see accessories), if a filter is not installed abrasive substances will cause the DOSATRON to deteriorate prematurely.

3 - WATER-HAMMER / EXCESSIVE FLOW

- For installations subject to water hammer a protection device such as a check valve or union ball check must be fitted (pressure/flow control system).

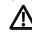
- For automatic installations, slow opening and closing solenoid valves are preferable.

- In an installation where a DOSATRON serves several sectors, the closing of one sector and the opening of another sector must be done at the same time (simultaneous operation of the solenoid valves).

4 - INSTALLATION LOCATION

- The location of the DOSATRON and concentrate container should be accessible, but should never present a risk of pollution or contamination.

- It is recommended to label all water lines with a warning about the injected solution i.e.

 **IMPORTANT !** Not For Human Consumption.

5 - MAINTENANCE

- Rinse the injection areas after using the DOSATRON. To do this, insert suction tube into a container of clean water and inject about 1/4 liter [8 1/2 US Fl.oz].

- Routine maintenance once a year will add to the life of your DOSATRON. Replace the injection

seals as well as the suction hose annually to ensure proper injection.

6 - SERVICE

- This DOSATRON was tested prior to packaging.

- Complete maintenance and seal kits are available.

- Call your DOSATRON distributor for service or parts.

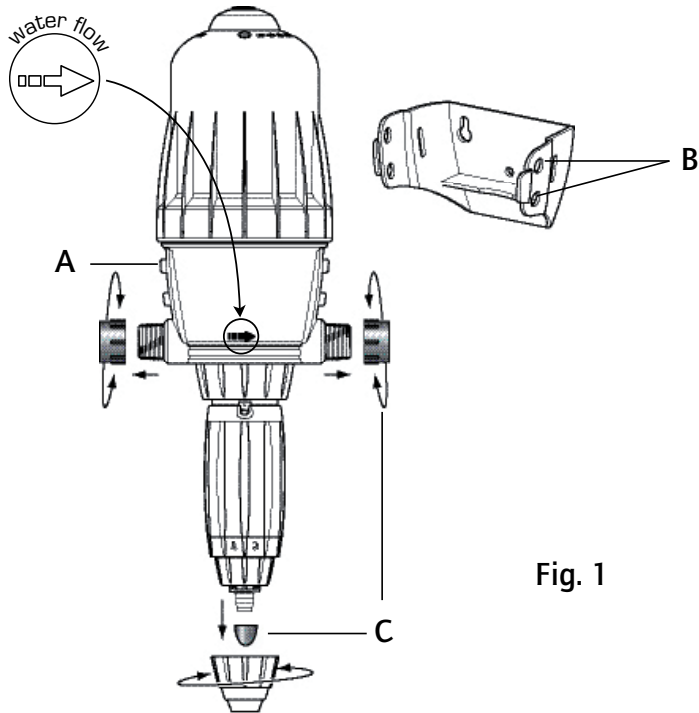


Fig. 1

ASSEMBLY SHOULD BE CARRIED OUT WITHOUT THE USE OF TOOLS

The DOSATRON is delivered with :

- a mounting bracket,
- a suction tube with a strainer.

The bracket enables the DOSATRON to be fixed to a wall.

Snap the DOSATRON into the bracket by fitting the two lugs on one side of the body (Fig. 1-A) into the corresponding holes in the bracket (Fig. 1-B), and springing the bracket arms apart until the other 2 lugs click into place.

Remove the plastic caps (Fig. 1-C) which block the inlet and outlet of your DOSATRON before connecting to the water supply.

RECOMMENDATIONS

	<p style="text-align: center;">Torque 20 Nm thus 2kg (Remember : 1 Nm = 0,1 DaN)</p>
--	---

The DOSATRON can be connected to the water supply by means of Ø 3/4" [20 x 27mm] bore flexible hose and hose tail fittings with hose clips. Make certain that the water flows in the direction of the arrows on the motor body.

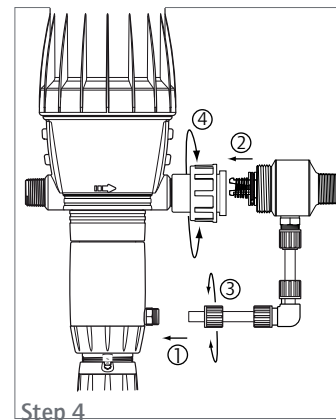
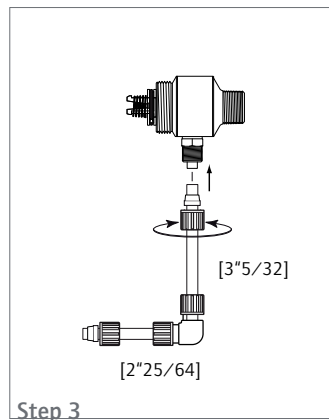
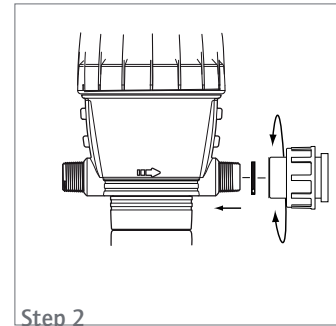
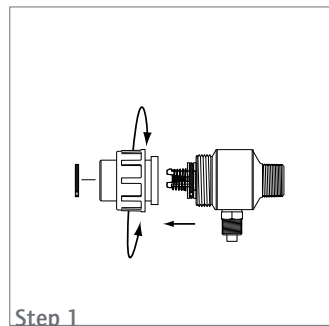
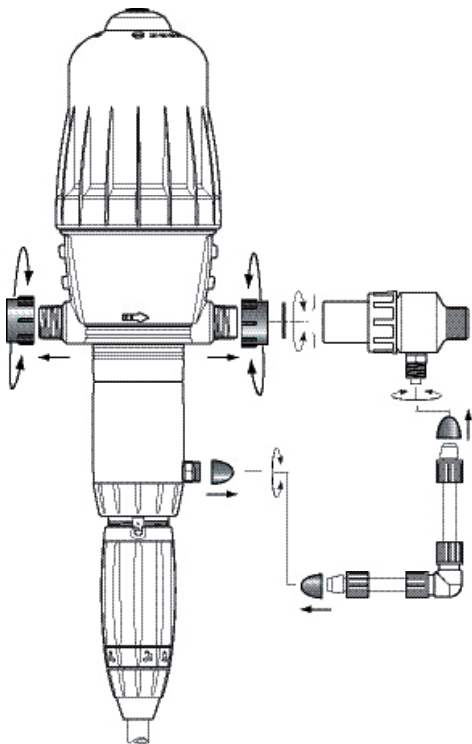
The DOSATRON is delivered with a suction tube (cut it to the needed length) enabling its use with a large capacity concentrate container. The tube must be fitted with its strainer and weights. The instructions for fitting the tube are to be found in the specific chapter.

NOTE : The maximum suction height is 13 vertical feet (4 meters).

Fit the tube, equipped with its strainer and its weight, and immerse it in the solution to be injected.

CONNECTING THE EXTERNAL INJECTION (IE)

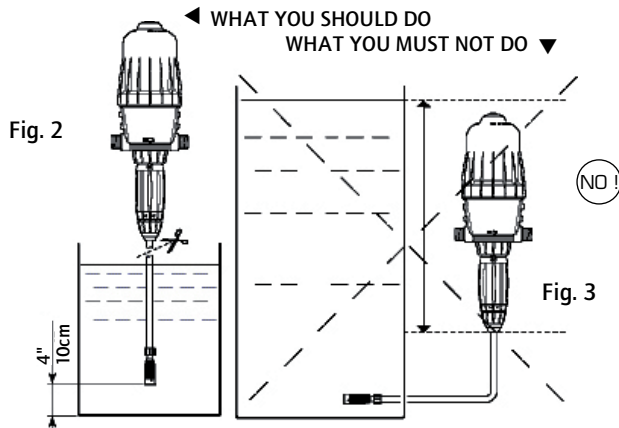
In order to use corrosive concentrates, the external injection model DOSATRON is also delivered with an external injection hose.
CAUTION screw in the components carefully !



ASSEMBLING THE DOSATRON (cont...)

IMPORTANT ! - Do not put the suction tube strainer on the bottom of the stock solution container. The strainer must be suspended at least 4"[10cm] above the bottom of the tank to avoid sucking up the insoluble particles that may damage the injection assembly (Fig.2).

- Do not put the strainer on the ground.



Under no circumstance should the solution level be above the water inlet of the DOSATRON (to avoid siphoning situations) (Fig. 3).

INSTALLATION HINTS

The DOSATRON can be connected to the main water line **directly** (Fig. 4) ; or on a **by-pass** (Fig. 5), recommended.

If your flow rate is above the operating limits of the DOSATRON, see **EXCESSIVE FLOW**.

To prolong the working life of the DOSATRON it is advisable to install a filter (ex.: 300 mesh - 60 microns depending on your water quality) upstream.

This is imperative if the water contains impurities or particles, especially if the water comes from a well.

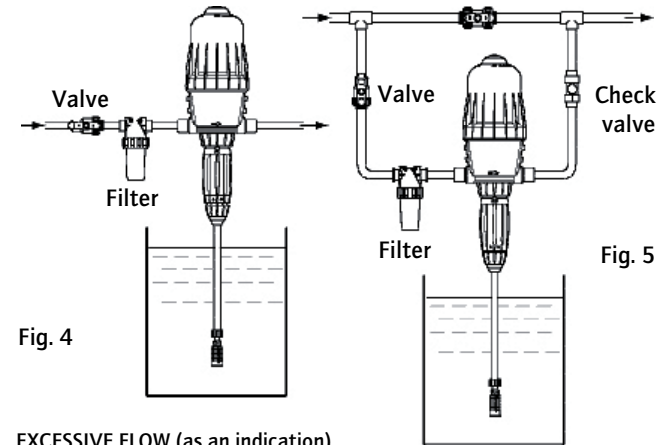


Fig. 4

Fig. 5

EXCESSIVE FLOW (as an indication)

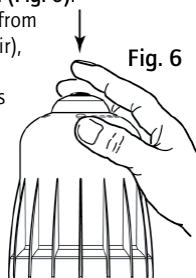
If your DOSATRON clicks more than **46 times**, that is **23 cycles in 15 seconds***, you are close to the superior flow limit. If you need more flow, you must install a DOSATRON with a superior capacity of flow.

*D14MZ20 = 30 times, 15 cycles

Putting the DOSATRON into order

USING FOR THE FIRST TIME

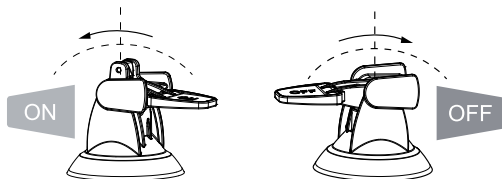
- Partially open the water inlet valve.
- Press the bleed button on the top of the DOSATRON (Fig. 6).
- When a constant flow of water is seen coming from around the bleed button (no more «spitting» of air), release the button.
- Open the water inlet valve slowly, the DOSATRON is self-priming.
- Operate the DOSATRON until the product to be injected is drawn up into the doser body (the product is visible through the plastic tube).
- The DOSATRON makes a characteristic “click-clack” noise when working.



NOTE: The time required to prime the suction tube depends on the water flow-rate, the ratio setting and the length of the suction tube. To bleed the air from the suction tube and accelerate the priming, set the injection rate at maximum. Once the DOSATRON is primed, adjust to the required injection rate (see § ADJUSTING THE INJECTION RATE).

The DOSATRON may be fitted in its upper part with the function by-pass (optional equipment) :

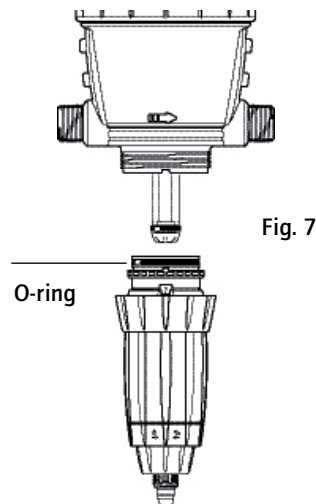
- By-pass in **ON**, the DOSATRON works and the concentrate is drawn up.
- By-pass in **OFF**, the DOSATRON is stopped and does not draw up the product.



Maintenance

RECOMMENDATIONS

1 - When using soluble products to be made up into solutions, we recommend the periodic dismantling of the entire dosing part (see : § CLEANING AND REFITTING THE SUCTION VALVE, § CHANGING SEALS IN THE INJECTION ASSEMBLY). Thoroughly rinsing all the elements of the dosing part with water and re-assembling them after having previously lubricated the seal (Fig. 7) with a silicone lubricant, in the case of difficulty in re-fitting.



2 - Before putting the DOSATRON into operation after a non-use period, remove the motor piston and soak it into lukewarm water < 104° F [40° C] overnight. This helps to dissolve any deposits which may have dried onto the piston motor.

HOW TO DRAIN THE DOSATRON (in case of freezing temperature)

- Turn off the water supply and let the pressure drop to zero.
- Remove the injection assembly, see § CHANGING THE MOTOR PISTON.
- Remove the bell and the motor piston.
- Disconnect the water inlet and outlet fittings.
- Remove the lower pump body from the mounting bracket and empty any remaining water.
- The DOSATRON can now be reassembled, having first cleaned the seal.

INTERNATIONAL CONVERSIONS

Principle : Setting at 1% $\Rightarrow 1/100 = 1$ part of concentrate for 100 parts of water.

Ex. : Setting at 2% $\Rightarrow 2/100 = 2$ parts of concentrate for 100 parts of water.

Ratio $\Rightarrow 1/50$.

FITTING THE SUCTION TUBE

If the DOSATRON has already been used, please **imperatively** refer to § PRECAUTIONS.

- Unscrew the nut (Fig. 11) at the bottom of the injection assembly and put it onto the tube.
- Push the tube onto the barbed fitting as far as it will go and screw up the nut by hand (Fig. 12).

Fig. 11

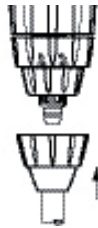
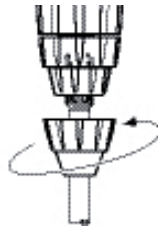


Fig. 12



ADJUSTING THE INJECTION RATE (with pressure off)

IMPORTANT ! Use no tools.

Adjustment must be made when there is no pressure in the DOSATRON.

- Turn off the water supply and allow the pressure to drop to zero.
- Unscrew the blocking ring (Fig. 13).
- Screw or unscrew the adjusting nut in order to line up the 2 peaks of the eyelet with the desired ratio on the scale (Fig. 14).
- Tighten the blocking ring (Fig. 15).

Fig. 13

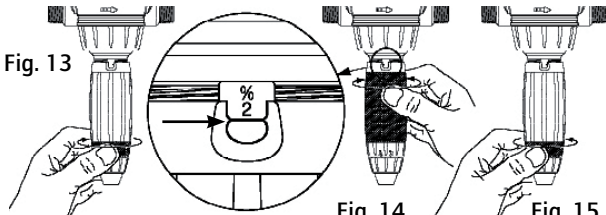


Fig. 14

Fig. 15

CHANGING THE MOTOR PISTON (with pressure off)

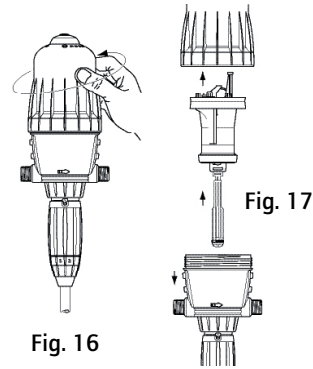


Fig. 16

Fig. 17

- Turn off the water supply and allow the pressure to drop to zero.
- Unscrew and remove bell-housing by hand (Fig. 16).
- Remove the motor piston (Fig. 17) by pulling it up.
- Rod and plunger piston are fixed to the motor piston and taken out simultaneously.
- Change and reassemble in the reverse order to the above.
- Refit the bell-housing (take care not to damage its seal) and tighten by hand.

CHANGING THE MOTOR PISTON D14MZ520 (with pressure off)

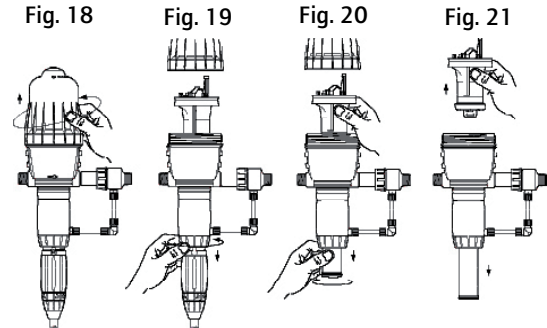


Fig. 18

Fig. 19

Fig. 20

Fig. 21

- Shut the water supply and let the pressure drop to zero.
- Unscrew the bell by hand (Fig. 18) and remove it.
- Unscrew the fixing nut of the dosing part (Fig. 19) and remove it.
- Retain the motor piston while turning the plunger piston 1/4 turn (Fig. 20).
- Change parts and reassemble in the reverse order to the above.
- Refit the bell taking care not to damage its seal and screw by hand (Fig. 21).
- Refit the dosing part assembly.

CHANGING SEALS IN THE INJECTION ASSEMBLY (with pressure off)

Frequency : Once per year.

IMPORTANT ! Use no tool or metallic utensils

ADVICE: Before dismantling any part of the injection assembly it is advisable to operate the DOSATRON, injecting clean water so as to rinse through the injection system. In this way, risks of contact with concentrated solutions in the injection assembly are minimized.

During any such intervention, wear protective eyewear and gloves !

METHOD OF REMOVING SEAL

Fig. 22 : Between finger and thumb, pinch the component and the seal ; push towards one side to deform the seal.

Fig. 23 : Increase the deformation to grip the part of the seal thus exposed and pull it out of its groove.

Clean the seal seating without any tools.

Refitting is done by hand.

It is very important that the seal is not twisted once in place as this would impair its efficiency.

Fig. 22



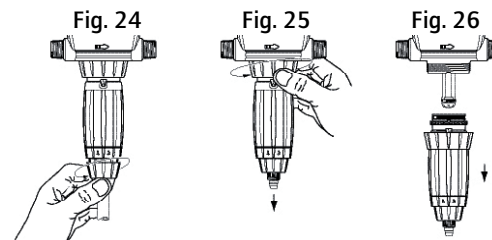
Fig. 23



CHANGING THE DOSING SEALS

Please refer to the drawings of the different models at the end of this manual

- Change the seals once a year.
- Turn off the water supply and allow the pressure to drop to zero.
- Take off the suction tube of product (Fig. 24).
- Unscrew the retaining ring (Fig. 25).
- Pull downwards to remove the injection assembly (Fig. 26).
- Change the seals, the suction valve and the barbed fitting.
- Re-assemble in the reverse order to the above **by hand**.

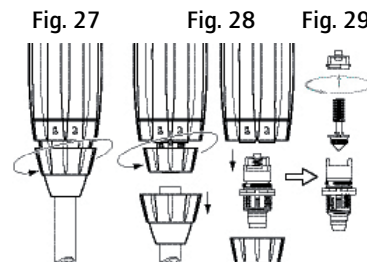


CLEANING AND RE-ASSEMBLING THE SUCTION VALVE SEAL

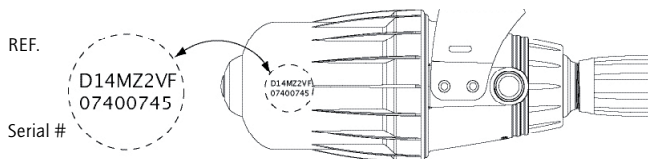
- Turn off the water supply and allow the pressure to drop to zero.
- Unscrew the nut and pull downwards to remove the suction tube (Fig. 27).
- Unscrew and take off the suction valve retaining nut (Fig. 28), pull out the valve assembly, dismantle the valve and thoroughly rinse the separate components in clean water.

- Put the valve components in the order shown in the diagram (Fig. 29).

- Re-assemble the components in the reverse order to the dismantling process.



Reference Designation



REF. :	Serial #:
EXAMPLE	D14 T RE 1:200 IE BP V AF P II
Type of DOSATRON	
Temperature	
MZ : adjustable	
Dosage (ratio or %)	
IE : External Injection	
BP : integrated by-pass	
V : Viscous Products (> 400 cPs)	
Dosing seals: AF = PH 7-14 VF = PH 1-7 K = strong acids (>15%)	
Color : - = Blue [PP] P = White [PVDF] R = Red [PP] V = Green [PP] J = Yellow [PP] O = Orange [PP]	
Other extensions (consult us)	

Troubleshooting

SYMPTOM	CAUSE	SOLUTION
Motor piston		
DOSATRON does not start or stops	Piston stalled	Reset piston, by hand
	Air has not been bled from unit	Bleed air from unit, by bleed button
	Maximum flow exceeded.	1. Reduce flow, restart unit 2. Unscrew the bell. Take off the piston and check piston valves seals to ensure correct position
	Motor piston is damaged	Return unit to your service center for repair
Injection		
Water flowing back into concentrate container	Contaminated, worn, or missing check valve parts	Clean or replace it
No suction of concentrate	The piston motor has stopped	See Motor piston section
	Air leak (inlet) in the suction tube	Check the tightness between nut and suction hose
	Blocked suction tube or clogged strainer	Clean or replace it
	Missing or worn suction check valve seal	Clean or replace it
	Missing or worn plunger seal	Clean or replace it
Worn injection stem	Replace it	

SYMPTOM	CAUSE	SOLUTION
Injection		
Under injection	Suction of air	1. Check the tightness of the nuts in the injection area 2. Check suction tube
	Dirty or worn check valve seal.	Clean or replace it.
	Maximum flow exceeded (cavitation)	Reduce flow
	Worn plunger seal	Replace it
	Worn injection stem	Replace it
Leaks		
Leaks in the vicinity of the fixing ring under the body housing	Injector sleeve seal is damaged or positioned incorrectly	Replace it
Leaks between the setting sleeve and the blocking ring	Injector stem seal damaged, positioned incorrectly or missing	Replace it
Leaks between the body and bell	Pump body seal is damaged, positioned incorrectly or missing	Unscrew the bell, clean the seal seating, replace or change the seal. Position correctly the bell.

**THE MANUFACTURER
DECLINES ALL RESPONSIBILITY IF THE DOSATRON
IS USED IN CONDITIONS THAT DO NOT CORRESPOND
TO THE OPERATING INSTRUCTIONS AS INDICATED
IN THIS MANUAL**

Limited warranty

DOSATRON INTERNATIONAL S.A.S. will provide for replacement of all parts shown to be defective in material or workmanship during a period of twelve months from the date of purchase by the original purchaser. To obtain warranty replacement of a part, the DOSATRON must be returned with original proof of purchase receipt to the manufacturer or authorized distributor and thereafter recognized as defective after examination by the technical services of the manufacturer or distributor. The DOSATRON must be flushed of any chemical and sent to the manufacturer or distributor prepaid, but will be returned free of charge once repairs are made if found to be covered by the warranty. Any repairs made under warranty will not extend the initial warranty period. This warranty only covers circumstances where the part has failed due to defects caused by the manufacturing process. This warranty is invalid if the defects are found to be due to the product's misuse, inappropriate use of tools, lack of maintenance or defective installation or environmental accidents or corrosion by foreign bodies and liquids found within or in proximity to the DOSATRON. Before using any aggressive chemicals, please consult your distributor to confirm compatibility with the dosing pump.

The seals and "o-rings" are not covered under warranty, nor is damage to the DOSATRON caused by water impurities such as sand. A filter (ex: 300 mesh - 60 microns depending on your water quality) must be used in front of the DOSATRON for the warranty to be valid. DOSATRON INTERNATIONAL S.A.S. declines any responsibility if the DOSATRON is not used in compliance with the operating instructions and tolerances as indicated in this owner's manual.

This warranty gives you specific legal rights and you may also have other rights which vary from state to state. But any implied warranty or merchantability or fitness for a particular purpose applicable to this product is limited in duration to the time period of this written warranty or any implied warranty.

There is no warranty express or implied relating in any way to products used in conjunction with DOSATRON INTERNATIONAL S.A.S. products.

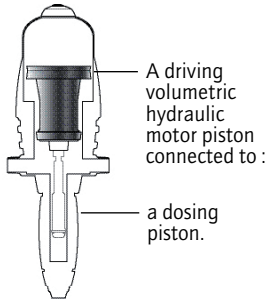
The manufacturer or authorized distributor shall not be liable for incidental or consequential damage, such as any economic loss, resulting from breach of this written warranty or any implied warranty.

There are no warranties, express or implied, which extend beyond those described above.

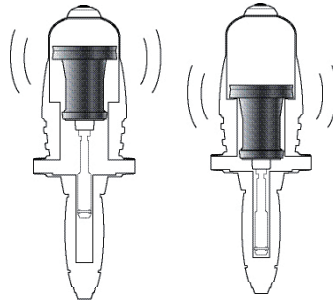
KNOW YOUR FLOW

A SIMPLE METHOD

THE DOSATRON IS COMPOSED OF:



In its up and down movement, you can hear the motor piston click:



2 clicks = 1 motor cycle
= The stroke volume

The speed of the motor is proportional to the flow of water passing through the system.

■ Calculation of water flow in l/h =

$$\frac{\text{Number of clicks in 15 seconds}}{2} \times 4 \times 60 \times 0.45$$

Calculation for 1 minute (points to 4)
Calculation for 1 hour (points to 60)
Stroke volume in litres (points to 0.45)
 2 clicks = 1 cycle (points to 2)

■ Calculation of water flow in GPM =

$$\frac{\text{Number of clicks in 15 seconds}}{2} \times 4 \times 0.45 \div 3.8$$

Calculation for 1 minute (points to 4)
Stroke volume in litres (points to 0.45)
Conversion from litres to gallons (points to 3.8)
 2 clicks = 1 cycle (points to 2)

NOTA : This method of calculation cannot replace a flow meter. It is given only as an approximate guide.

Español

Este documento no constituye un compromiso contractual y se suministra solamente a título orientativo. La sociedad DOSATRON INTERNATIONAL se reserva el derecho de modificar sus aparatos en cualquier momento.
© DOSATRON INTERNATIONAL S.A.S. 2009

Vd. acaba de adquirir una bomba dosificadora hidromotriz DOSATRON INTERNATIONAL. Le felicitamos por su elección. Este modelo ha sido elaborado gracias a la experiencia de más de 30 años. Nuestros ingenieros han situado la serie de los DOSATRON en primera línea de lo que podía ser la evolución técnica con las bombas dosificadoras hidromotrices DOSATRON. Este DOSATRON se revelará, con el tiempo, un aliado de los más fieles. Una limpieza regular garantizará un funcionamiento en el cual la palabra avería ya no tendrá cabida.

**SÍRVASE LEER ATENTAMENTE ESTE MANUAL
ANTES DE PONER EN SERVICIO EL APARATO**

¡ Importante !

El número de serie de su DOSATRON aparece

en el cuerpo de bomba.

Le rogamos apunte éste número en la parte destinada a ello más abajo y lo mencione cuando se ponga en contacto con su vendedor para cualquier información.

Ref. :

Nº Serie :

Fecha de compra :

.....

CARACTERÍSTICAS

	D14MZ3000 D14T ⁽¹⁾ MZ3000	D14MZ2 D14T ⁽¹⁾ MZ2
--	---	-----------------------------------

Caudal nominal de agua de funcionamiento :

(1)

(2)

Temperatura máxima de funcionamiento :

(1)

(2)

Presión de funcionamiento :

PSI	4.3 - 85	4.3 - 85
bar	0.30 - 6	0.30 - 6

Dosificación ajustable exteriormente o fija :

Ratio	1:3000 - 1:333	1:500 - 1:50
%	0.03 - 0.3	0.2 - 2

Caudal de inyección del producto concentrado :

US GPM - MAX.	0.04	0.28
US Fl. oz/min - MIN.	0.0017	0.011
Mini l/h - Maxi l/h	0.003 - 9	0.02 - 60

Conexión (NPT/BSP gas macho) :

Cilindrada del motor hidráulico (cada dos pistonas del pistón) :

¡ CUIDADO ! El DOSATRON no está regulado de antemano, para ello

DIMENSIONES

Diámetro : " [cm]	4 7/16 [11.2]	4 7/16 [11.2]
Altura total : " [cm]	21 [53]	19 3/32 [48.5]
Anchura total : " [cm]	6 5/16 [16]	6 5/16 [16]
Peso : ± lbs [kg]	3.5 [1.6]	3.7 [1.7]

COMPOSICIÓN DEL PAQUETE : 1 DOSATRON / 1 soporte mural para DOSATRON / 1 tubo de aspiración para la solución / 1 filtro de aspiración / 1 tubo de inyección por los modelos "IE" / manual de utilización

D14MZ5 D14T ⁽¹⁾ MZ5	D14MZ10	D14MZ520 ⁽²⁾
-----------------------------------	---------	-------------------------

..... 1/3 US Pint/min - 14 US GPM [10 l/h mini 3 m³/h maxi]

..... 0.4 US Pint/min - 14 US GPM [100 l/h mini 3 m³/h maxi]

..... 1/3 US Pint/min - 9 US GPM [10 l/h mini 2 m³/h maxi]

..... 104 °F [40 °C]

..... 140 °F [60 °C]

..... 104 °F [40 °C]

4.3 - 85 0.30 - 6	7 - 85 0.50 - 6	7 - 57 0.50 - 4
----------------------	--------------------	--------------------

1:200 - 1:2 0.5 - 5	1:100 - 1:10 1 - 10	1:20 - 1:4 5 - 25
------------------------	------------------------	----------------------

0.7 0.028 0.05 - 150	1.4 0.056 0.1 - 300	2.2 0.2818 0.5 - 500
----------------------------	---------------------------	----------------------------

..... 3/4" [Ø 20x27 mm]

..... aprox. 0.14 US Gallons [0.53 l]

referirse al § AJUSTE DE LA DOSIFICACIÓN

4 7/16 [11.2]]	4 7/16 [11.2]	4 7/16 [11.2]
21 3/16 [53.8]	21 3/16 [53.8]	26 1/8 [66]
6 5/16 [16]	6 5/16 [16]	6 5/16 [16]
3.9 [1.8]	4.4 [2]	8.8 [4]

DIMENSIONES DEL EMBALAJE :

21 7/8" x 6 5/8" x 5 3/4" [55.2 x 16.5 x 14.5 cm]

PESO DEL PAQUETE : ~ 4.4 - 8.8 US lbs [2 - 4 kg aprox]

NOTES

.....

.....

.....

.....

.....

.....

.....

.....

.....

.....

.....

.....

.....

.....

.....

.....

.....

.....

.....

.....

.....

.....

.....

.....

.....

Índice

INSTALACIÓN	PÁGINA
Precauciones	61
Montaje del Dosatron.....	64
Conexión de la inyección externa.....	66
Recomendaciones de instalación.....	69
PUESTA EN SERVICIO	
Primera puesta en servicio.....	70
MANTENIMIENTO	
Precauciones.....	71
Vaciado del Dosatron	71
Conversiones - medidas internacionales	72
Conexión del tubo de aspiración.....	72
Ajuste de la dosificación.....	72
Cambio del pistón motor	73
Cambio de las juntas de (la parte) dosificación	74
DENOMINACIÓN/REFERENCIA.....	76
POSIBLES INCIDENCIAS	77
GARANTIA.....	79

Preciso, sencillo y fiable

Una tecnología única que integra todas las funciones de dosificación

Instalado en una red de agua, el DOSATRON funciona sin electricidad : utiliza la presión del agua como fuerza motriz. Así accionado, aspira el producto concentrado en un recipiente, lo dosifica al porcentaje deseado, lo homogeneiza en la cámara mezcladora con el agua motriz. La solución realizada está entonces enviada a la salida del aparato. La dosis de producto inyectada es siempre proporcional al volumen de agua que pasa por el DOSATRON, cualesquiera que sean las variaciones de caudal o de presión.



Instalación

PRECAUCIONES

- 1 - INFORMACIONES GENERALES
- Cuando se conecta una instalación, bien a la red pública de agua o a su propio punto de agua, es imperativo cumplir la normativa de protección y desconexión. DOSATRON recomienda un desconectador para evitar la contaminación de la red de agua.
 - Durante la instalación del Dosatron en la red de agua, asegúrese de que el agua fluya en el sentido de las flechas indicado en el aparato.
 - En caso de que la instalación esté más alta que el propio DOSATRON, existe el riesgo de retorno de agua al DOSATRON ; por lo tanto, se recomienda instalar una válvula antirretorno aguas abajo del aparato.
 - En las instalaciones donde existe un riesgo de sifonaje, se recomienda colocar una válvula antisifón agua abajo del dosificador.
 - No instalar el DOSATRON sobre un recipiente de ácido o de un producto agresivo, y protegerlo contra posibles emanaciones de producto.
 - El DOSATRON ha de estar protegido contra el hielo y debe estar situado lejos de fuentes de calor importantes.
 - No instalar el DOSATRON en el

circuito de aspiración de la bomba de impulsión (efecto sifón).

- ⚠ i CUIDADO ! No usar herramientas o utensilios metálicos.
- El operador debe ponerse frente al DOSATRON, llevar gafas y guantes de protección para cualquier intervención.
 - Para asegurar la precisión de la dosificación, el cambio anual de las juntas de la parte dosificación permanece bajo la responsabilidad del utilizador.
 - La regulación de la dosificación será de responsabilidad exclusiva del utilizador. El utilizador debe respetar rigurosamente las recomendaciones del fabricante de producto.

⚠ ADVERTENCIA

- Durante la instalación, el uso y el mantenimiento de la bomba dosificadora hidromotriz DOSATRON, respetar prioritariamente las consignas de seguridad: utilizar las herramientas adecuadas, ropa de protección y gafas de seguridad cuando se trabaja con el material; proceder a la instalación con vistas a asegurar un funcionamiento sin riesgos.
- Seguir las instrucciones de este

PRECAUCIONES (continuación)

manual y adoptar las medidas de seguridad apropiadas según las características del líquido aspirado y la temperatura del agua.

Mantenerse extremadamente atento en presencia de sustancias peligrosas (corrosivas, tóxicas, solventes, ácidas, cáusticas, inflamables, etc.)

1 - INFORMACIONES GENERALES (continuación)

- Para la dosificación de esas sustancias, le rogamos consulte el distribuidor oficial DOSATRON antes de cualquier utilización para confirmar la compatibilidad del producto con el dosificador.

- **Para la instalación del Dosatron en una red de agua caliente (140°F/ 60°C máx.), se requiere un dosificador con la opción "T". Esta temperatura alta aumenta el riesgo y la peligrosidad de las sustancias antes mencionadas. Se recomienda enfáticamente equipar tanto el dosificador como el conjunto de la instalación de agua caliente, con un marcado que indique ese riesgo y respetar la legislación vigente.**

▲ - Asegurarse de que el caudal y la presión de agua de la instalación son conformes con las características del DOSATRON.

- El ajuste de la dosificación ha de efectuarse sin presión. Cerrar la

llegada de agua y caer la presión a cero.

- El utilizador será el único responsable de la selección de las regulaciones del DOSATRON para obtener la dosificación deseada.

- Una toma de aire, una impureza o una rotura de junta puede interrumpir el buen funcionamiento de la dosificación. Se recomienda verificar periódicamente que el producto concentrado por dosificar va siendo aspirado en el DOSATRON.

- Cambiar el tubo de aspiración del DOSATRON en cuanto parezca deteriorado por el concentrado dosificado.

- Al final del uso, poner el sistema fuera de presión (recomendado).

- El enjuague del DOSATRON es imprescindible :

. después de cada cambio de producto.

. antes de cada manipulación, para evitar el contacto con productos agresivos.

- No se debe utilizar herramientas para montar y apretar.

2 - AGUAS CARGADAS

- En caso de aguas cargadas muy duras, coloque **imperativamente** un filtro con tamiz antes del DOSATRON (50 mesh – 300 micras según la calidad de su agua). Si no se instala este filtro, partículas abrasivas causarán el desgaste prematuro del DOSATRON.

3 - GOLPES DE ARIETE / CAUDAL EXCESIVO

- En instalaciones sometidas a golpes de ariete, es necesario instalar un dispositivo antigolpes de ariete (sistema de regulación presión/caudal).

- En las instalaciones automatizadas, utilice preferentemente electroválvulas de apertura y cierre lentos.

- En caso de que un DOSATRON alimente varios sectores, accionar las electroválvulas simultáneamente (cierre de un sector y apertura de un otro sector al mismo tiempo).

4 - LUGAR DE LA INSTALACION

- El DOSATRON y el concentrado que hay que dosificar deben ser fácil de acceso. Su instalación no debe presentar ningún riesgo de polución o de contaminación.

- Se recomienda marcar todas las tuberías de agua señalando que el agua contiene aditivos, mencionar : " ¡ CUIDADO ! Agua No Potable".

5 - MANTENIMIENTO

- Después de utilizarlo, se recomienda aspirar agua (~ 1 litro [0.264 US Gallons]).

- Un mantenimiento anual le permitirá alargar la vida de su DOSATRON. Cambiar cada año las

juntas de inyección y el tubo de aspiración.

6 - SERVICIO

- Este DOSATRON se sometió a pruebas antes de embalarle.

- Subconjuntos de reparación y bolsas de juntas son disponibles.

- Para cualquier servicio posventa, llame su distribuidor o DOSATRON.

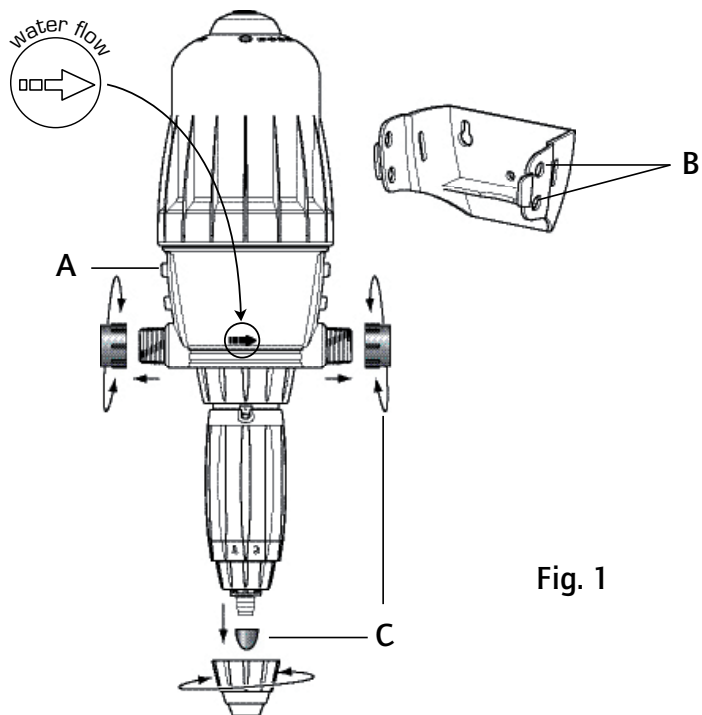


Fig. 1

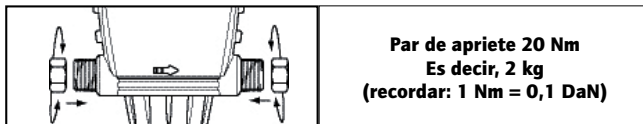
EL MONTAJE DEBE HACERSE SIN HERRAMIENTAS

El DOSATRON se entrega con :

- un soporte mural,
- un tubo de aspiración con filtro. El soporte permite la fijación mural del DOSATRON.

Introducir el DOSATRON en el soporte apartando ligeramente los brazos de este último para encastrar los cuatro tetones del cuerpo principal (Fig. 1-A) en los orificios correspondientes del soporte (Fig. 1-B). Retirar los tapones de protección del DOSATRON (Fig. 1-C) que obstruyen los orificios de su DOSATRON antes de conectarlo a la red de agua.

RECOMENDACIONES



La conexión del aparato a la red de agua puede realizarse mediante tubos flexibles de 20 mm de diámetro interior fijados con anillos y racores giratorios de Ø 3/4" [20 x 27 mm]. Asegúrese de que el agua fluya en el sentido de las flechas por el aparato.

El DOSATRON se entrega con un tubo de aspiración que permite su uso con un recipiente de gran capacidad. Este tubo debe estar provisto obligatoriamente del filtro de aspiración. Para la conexión de este tubo, véase el anexo correspondiente.

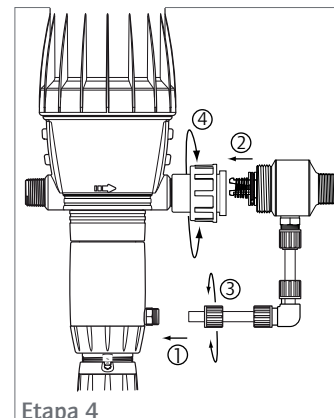
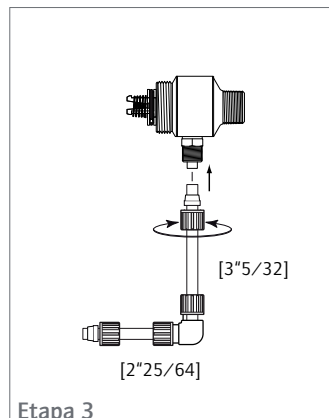
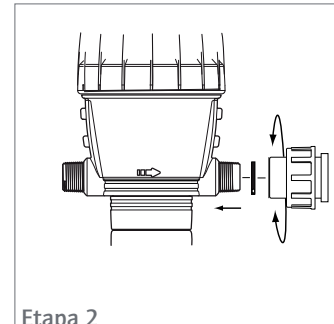
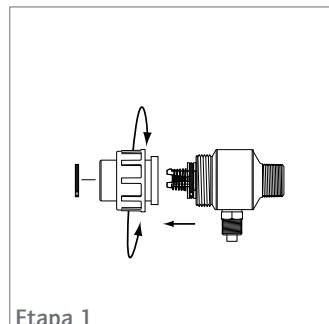
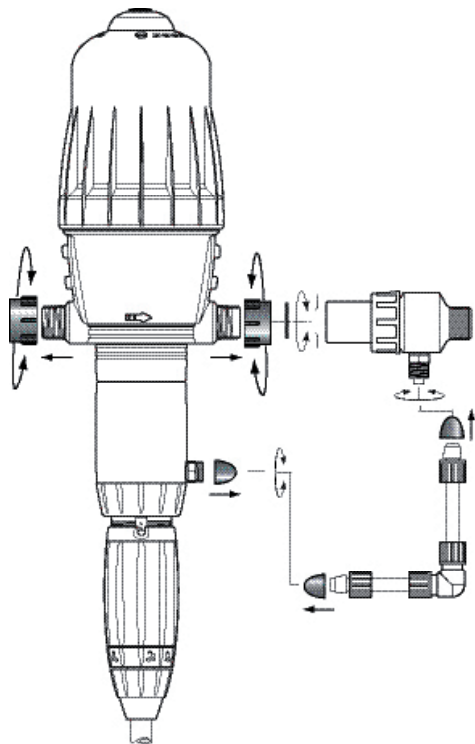
NOTA : La altura de aspiración es de 13 ft (máx) [4 metros].

Conectar el tubo provisto de su filtro de aspiración y sumergirlo en la solución a dosificar.

CONEXION DE LA INYECCION EXTERNA (IE)

Para los modelos Inyección Externa (IE) que permiten de trabajar con ciertos concentrados corrosivos, el Dosatron se entrega con un sub-conjunto inyección externa.

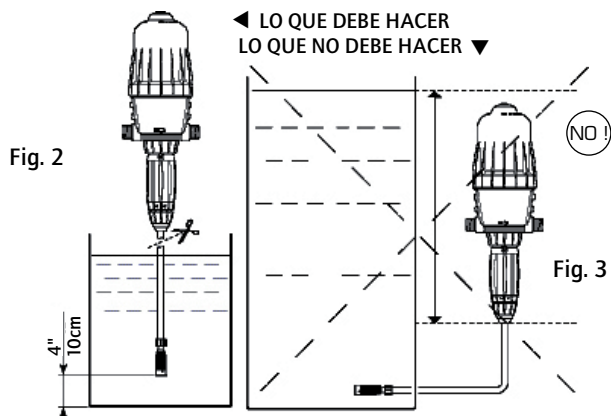
ATENCIÓN : no hacer fuerza para atornillar los elementos !



MONTAJE DEL DOSATRON (continuación)

¡ ATENCIÓN ! Dejar el filtro de aspiración a 4" [10 cm] del fondo del recipiente de solución para evitar aspirar las partículas no solubles que puedan dañar el cuerpo dosificador (Fig. 2).

- No colocar el filtro de aspiración en el suelo.



El nivel de la solución nunca debe estar encima de la entrada de agua en el DOSATRON (a fin de evitar el efecto sifón).

RECOMENDACIONES DE INSTALACIÓN

En la tubería del agua, los montajes pueden hacerse en directo (Fig. 4), en by-pass, recomendado (Fig. 5).

Si el caudal es superior a los límites del DOSATRON, véase CAUDAL EXCESIVO.

Para preservar la longevidad de su DOSATRON, se aconseja instalar un filtro (300 mesh - 60 microns) antes de éste.

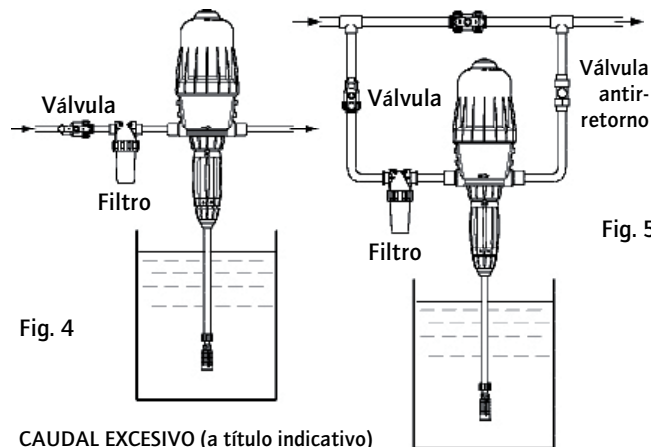
Esta precaución es imprescindible cuando el agua está cargada de impurezas o partículas, sobre todo si el agua proviene de un pozo o de

una perforación.

El filtro es aconsejado y necesario para que corra la garantía.

El montaje en by-pass permite el paso del agua clara sin que funcione el DOSATRON y el desmontaje de este.

Para cualquier instalación en la red de agua potable, respete las normas y reglamentaciones vigentes del país.



CAUDAL EXCESIVO (a título indicativo)

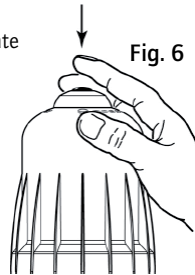
Si el DOSATRON realiza más de 46 pistónadas, o sea 23 ciclos en 15 segundos, se encontrará en una situación de CAUDAL EXCESIVO; entonces tendrá que escoger un DOSATRON de mayor capacidad de caudal de agua.

*D14M2520= 30 pistónadas, 15 ciclos

Puesta en servicio del DOSATRON

PRIMERA PUESTA EN SERVICIO

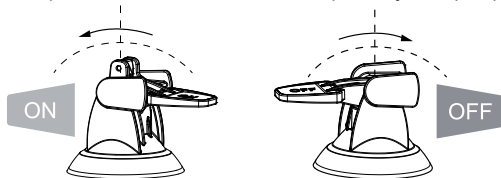
- Abrir ligeramente la llegada de agua.
- Pulsar el conducto de evacuación en la parte superior de la campana (Fig. 6).
- En cuanto aparezca un escape de agua constante (cuando ya no salga aire) alrededor del conducto de evacuación, soltarlo.
- Abrir progresivamente la llegada de agua, el DOSATRON se auto-arranca
- Dejarlo funcionar hasta que el producto suba en la parte dosificación (ver en el tubo transparente).
- El DOSATRON emite un «clic clac» característico de su funcionamiento.



NOTA : El tiempo de cebado de la solución dosificada es función del caudal y del tiempo de llenado del tubo de aspiración de solución. Para acelerar el arranque, ajustar la dosificación al máximo. Una vez realizado el arranque, ajustar al valor deseado, (véase § AJUSTE DE LA DOSIFICACIÓN).

El DOSATRON puede estar equipado en su parte alta con una función de by-pass (material opcional) :

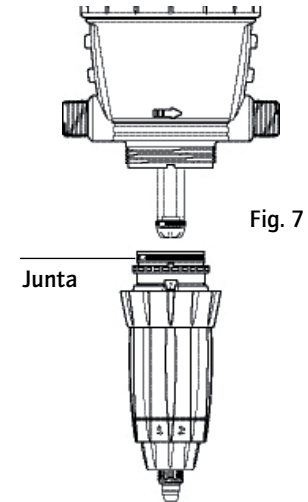
- By-pass en posición **ON**, el DOSATRON funciona y aspira producto.
- By-pass en posición **OFF**, el DOSATRON está parado y no aspira producto.



Mantenimiento

RECOMENDACIONES

1 - Cuando utiliza productos solubles disueltos, se recomienda desmontar periódicamente la parte dosificación completa, (véase : § LIMPIEZA DE LA VÁLVULA DE ASPIRACIÓN, § CAMBIO DE LAS JUNTAS DE LA PARTE DOSIFICACIÓN).
Aclararla con agua abundante y volver a montarla después de haber engrasado la junta con una grasa de silicona (Fig. 7).



2 - Antes de volver a poner el DOSATRON en servicio a principios de temporada, extraer el pistón motor y sumergirlo en agua templada < 104°F (40° C) durante unas horas. Esta operación permite eliminar los sedimentos que se hayan secado en el pistón motor.

VACIADO DEL DOSATRON (en caso de una puesta fuera de hielo)

- Cerrar la llegada de agua.
- Retirar la parte dosificación, véase § CAMBIO DEL PISTON MOTOR.
- Retirar la campana y el motor.
- Desconectar los racores de la entrada y salida de agua.
- Retirar el cuerpo principal del soporte mural y vaciarlo.
- Proceder al remontaje después de haber limpiado previamente la junta de estanqueidad.

CONVERSIONES - Medidas internacionales

Principio : Ajuste al 1% $\Rightarrow 1/100 = 1$ volumen de producto concentrado para 100 volúmenes de agua.

Ej. : Ajuste al 2% $\Rightarrow 2/100 = 2$ volúmenes de producto concentrado para 100 volúmenes de agua.

Relación $\Rightarrow 1/50$.

CONEXIÓN DEL TUBO DE ASPIRACIÓN

En caso de una conexión a un DOSATRON ya utilizado, consultar **imperativamente** el § PRECAUCIONES.

- Desenroscar la tuerca (Fig. 11) colocada debajo de la parte dosificación e introducir el tubo de aspiración en la tuerca.

- Empujar **a fondo** el tubo en la tubuladura acanalada y enroscar la tuerca **manualmente** (Fig. 12).

Fig. 11

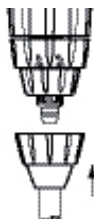
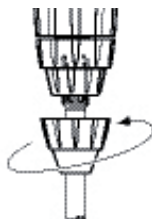


Fig. 12



AJUSTE DE LA DOSIFICACIÓN (sin presión)

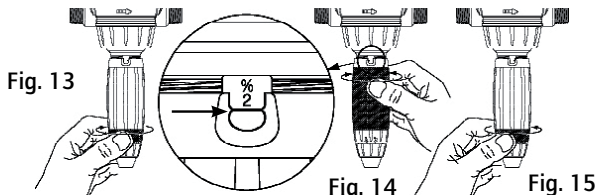
i ATENCIÓN ! No utilizar herramientas.

El ajuste de la dosificación ha de efectuarse sin presión, después de haberse cerrado la llegada de agua.

- Desenroscar el anillo de bloqueo (Fig. 13).

- Enroscar o desenroscar el casquillo de ajuste para que las dos puntas del orificio de visualización se encuentren enfrente de la marca de dosificación elegida (Fig. 14).

- Enroscar el anillo de bloqueo (Fig. 15).



CAMBIO DEL PISTÓN MOTOR (sin presión)

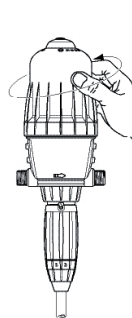


Fig. 16

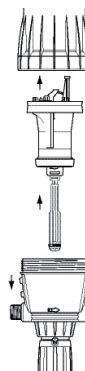


Fig. 17

- Cerrar la llegada de agua y dejar caer la presión.

- Desenroscar manualmente la campana y retirarla (Fig. 16).

- Extraer el conjunto pistón motor (Fig. 17) tirando hacia arriba.

- La varilla y el émbolo buzo siguen al pistón motor hacia arriba.

- Cambiar y volver a montar el conjunto en el sentido inverso al desmontaje.

- Volver a montar la campana cuidando de no dañar su junta, y enroscarla manualmente.

CAMBIO DEL PISTÓN MOTOR D14MZ20 (sin presión)

Fig. 18

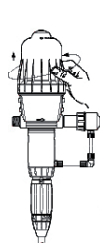


Fig. 19

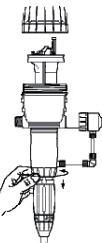


Fig. 20

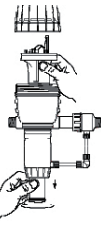
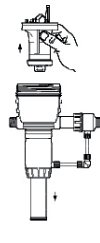


Fig. 21



- Cerrar la llegada de agua y bajar la presión a cero.

- Desenroscar la campana manualmente (Fig. 18) y retirarla.

- Desenroscar la tuerca de la parte baja (Fig. 19) y retirarla.

- Sujetar el pistón motor y hacer girar un cuarto de vuelta el émbolo buzo (Fig. 20).

- Cambiar y volver a montar el conjunto en el sentido inverso al desmontaje.

- Volver a montar la campana cuidando de no dañar su junta, y enroscarla manualmente (Fig. 21).

- Volver a montar el subconjunto dosificación.

CAMBIO DE LAS JUNTAS DE LA PARTE DOSIFICACIÓN (sin presión)

Periodicidad : Una vez al año.

¡ CUIDADO ! No usar herramientas o utensilios metálicos

CONSEJO : Antes de cualquier desmontaje de la parte dosificación se aconseja hacer funcionar el DOSATRON aspirando agua clara para aclarar el sistema de inyección. Esto evita cualquier riesgo de contacto con los productos que pueden estar en la parte dosificación.

Llevar gafas y guantes de protección para cualquier intervención de esta naturaleza !

METODO PARA RETIRAR UNA JUNTA

Fig. 22 : Apretar la pieza y la junta con el pulgar y el índice : empujar hacia el lado opuesto para desformarlo.

Fig. 23 : Acentuar la deformación para agarrar la parte sobresaliente de la junta, y retirar ésta última fuera de su ranura.

Limpiar el asiento de la junta sin herramientas.

El remontaje se hace a mano.

Es muy importante que la junta no se quede torcida porqué una vez puesta ya no habrá estanqueidad.

Fig. 18



Fig. 19



CAMBIO DE LAS JUNTAS DE LA PARTE DOSIFICACIÓN (continuación)

- Ver los esquemas de los diferentes modelos en el fin de este manual.
- **Cambiar las juntas de dosificación una vez al año.**
- Cerrar la llegada de agua y caer la presión a cero.
- Desmontar el tubo de aspiración para la solución (Fig. 24), retirar la parte dosificación como mencionado al capítulo precedente (Fig. 25).
- Tirar hacia abajo para retirar la parte de dosificación (Fig. 26).
- Cambiar las juntas, de la válvula y del racor inferior.
- Volver a montar en el orden inverso al desmontaje **manualmente.**

Fig. 24

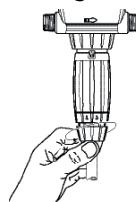


Fig. 25

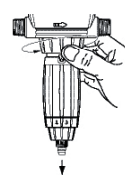
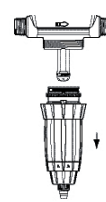


Fig. 26



LIMPIEZA Y REMONTAJE DE LA VÁLVULA DE ASPIRACIÓN

- Cerrar la llegada de agua y caer la presión a cero.
- Desenroscar la tuerca y retirar el tubo de aspiración (Fig. 27)
- Desenroscar y retirar la tuerca que sostiene la válvula de aspiración (Fig. 28), desmontar ésta y después aclarar con agua limpia abundante las diferentes partes.
- Volver a colocarlas en su lugar siguiendo el orden y la posición del esquema (Fig. 29).

Fig. 27



Fig. 29

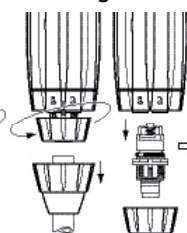
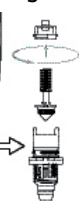
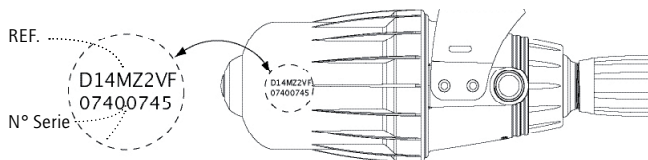


Fig. 29



Denominación/Referencia



REF. :	N° Serie :										
EJEMPLO	D14	T	RE/GL	1:200	IE	BP	V	AF	P	II	
Tipo de DOSATRON											
Temperatura											
RE: Regulable											
Dosificación (ratio o %)											
IE = Inyección externa											
BP : By-pass integrado											
V : Productos Viscosos (> 400 cPs)											
Juntas dosificación : AF = PH 7-14 VF = PH 1-7 k = Ácidos corrosivos (>15%)											
Color : - = Azul [PP] P = Blanco [PVDF] R = Rojo [PP] V = Verde [PP] J = Amarillo [PP] O = Naranja [PP]											
Otras extensiones (especificar)											

Posibles Incidencias

SINTOMAS	CAUSA	SUBSANAR
Pistón motor		
Su DOSATRON no arranca o se para	Pistón bloqueado.	Reactivar el pistón accionando manualmente.
	Presencia de aire en el DOSATRON	Quitar el aire accionando el conducto de evacuación integrado.
	Caudal excesivo.	1. Reducir el caudal, volver a ponerlo en marcha. 2. Controlar el montaje de las juntas de las válvulas del motor.
	Pistón motor roto.	Devolver el DOSATRON a su distribuidor.
Dosificación		
Retorno en el recipiente de concentrado	Válvula de aspiración o junta de la válvula sucia, desgastada o ausente.	Limpiar o cambiar.
No aspira el concentrado	El pistón hidráulico está parado.	Véase Pistón motor
	Toma de aire en el tubo de aspiración.	Controlar el tubo de aspiración y el apriete de sus tuercas.
	Tubo de aspiración obstruido o filtro atascado.	Limpiar o cambiar.
	Junta de la válvula de aspiración desgastada, mal montada o sucia.	Limpiar o cambiar.

SINTOMAS	CAUSA	SUBSANAR
Dosificación		
No aspira el concentrado (continuación)	Junta del émbolo buzo mal montada o sucia.	Limpiar o cambiar.
	Grietas en el cuerpo dosificador.	Cambiar.
Subdosificación	Toma de aire.	1. Controlar el apriete de las tuercas de la parte dosificación. 2. Verificar el estado del tubo de aspiración.
	Junta de válvula de aspiración desgastada o sucia.	Limpiar o cambiar.
	Caudal excesivo.	Reducir el caudal.
	Junta del émbolo buzo desgastada.	Cambiar.
	Cuerpo dosificador rayado	Cambiar.
Fugas		
Fugas a proximidad del anillo metálico de fijación bajo del cuerpo de bomba	Junta de la camisa estropeada, mal montada o ausente.	Ponerla correctamente o cambiar.
Fugas entre el anillo de regulación y el anillo de bloqueo	Junta del cuerpo dosificador estropeada, mal montada o ausente.	Ponerla correctamente o cambiar.
Fugas entre el cuerpo y la campana	Junta de la campana estropeada, mal montada o ausente.	Ponerla correctamente, limpiar el asiento de la junta o cambiar.

**DOSATRON INTERNATIONAL
RECHAZA CUALQUIER RESPONSABILIDAD EN CASO DE UTILIZACIÓN
NO CONFORME CON LAS INSTRUCCIONES TÉCNICAS.**

Garantía

DOSATRON INTERNATIONAL S.A.S. se compromete a sustituir todo material identificado como defectuoso de origen durante un periodo de doce meses a partir de la fecha de compra del cliente inicial.

Para obtener la sustitución bajo garantía, el equipo o repuesto deber ser enviado con el comprobante de compra inicial al fabricante o al distribuidor oficial.

Para que sea reconocido como defectuoso después control por el departamento técnico del fabricante o distribuidor.

El equipo debe ser enjuagado para eliminar cualquier producto químico y enviado limpio al fabricante o distribuidor ; el cliente se hará cargo del transporte. El equipo será devuelto gratuitamente si la reparación se encuentra bajo garantía.

Las reparaciones realizadas bajo garantía no podrán prolongar el tiempo de la misma.

Esta garantía solo se aplica a los defectos de fabricación.

Esta garantía no cubre los efectos derivados de una mala utilización del equipo, del uso de herramientas

inapropiadas, de un defecto de instalación o de mantenimiento, de desastres naturales, o debido a la corrosión causada por cuerpos extraños o líquidos encontrados en el interior o cerca del equipo.

Para la dosificación de productos agresivos, le rogamos consulte el distribuidor oficial DOSATRON antes de cualquier utilización para confirmar la compatibilidad del producto con el dosificador.

Las garantías no comprenden las juntas (repuestos de desgaste) ni los daños causados por las impurezas del agua, como la arena.

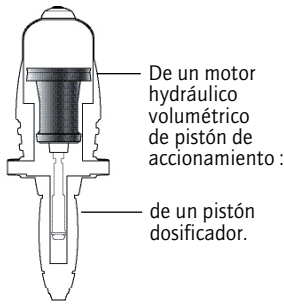
Para dar validez a esta garantía, es imprescindible instalar un filtro (300 mesh - 60 micras o inferior) antes del equipo.

DOSATRON INTERNATIONAL S.A.S. rehusa toda responsabilidad si el equipo es utilizado en condiciones no conformes a las prescripciones del manual de utilización.

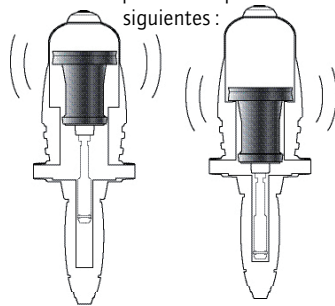
No existe garantía, implícita o explícita, relativa a otros productos o accesorios utilizados con los equipos de DOSATRON INTERNATIONAL S.A.S.

UN MÉTODO SENCILLO

EL DOSATRON SE COMPONE :



En su movimiento de vaivén, el pistón motor produce las pistonadas siguientes :



2 pistonadas = 1 ciclo motor
= 1 cilindrada motor

← 1 vez en la posición superior

1 vez en la posición inferior

La cadencia del motor es proporcional al caudal de agua que pasa por el aparato.

■ Cálculo del caudal del agua en litro/hora =

$$\frac{\text{Cantidad de pistonadas del pistón en 15 segundos}}{2} \times 4 \times 60 \times 0.45$$

Annotations: 'Cálculo para 1 minuto' points to the '4' and '60' terms; 'Cálculo para 1 hora' points to the '60' term; 'Cilindrada del motor en litros' points to the '0.45' term; '2 pistonadas = 1 ciclo' points to the denominator '2'.

■ Cálculo del caudal del agua en GPM =

$$\frac{\text{Cantidad de pistonadas del pistón en 15 segundos}}{2} \times 4 \times 0.45 \div 3.8$$

Annotations: 'Cálculo para 1 minuto' points to the '4' and '0.45' terms; 'Cilindrada del motor en litros' points to the '0.45' term; 'Conversión litros en galones' points to the denominator '3.8'; '2 pistonadas = 1 ciclo' points to the denominator '2'.

NOTA : Este método de cálculo no reemplaza un caudalímetro. Sólo se proporciona a título orientativo.

Français

Ce document ne constitue pas un engagement contractuel et n'est fourni qu'à titre indicatif. DOSATRON INTERNATIONAL se réserve le droit de modifier ses appareils à tout moment.
© DOSATRON INTERNATIONAL S.A.S 2009

Vous venez d'acquérir une pompe doseuse hydromotrice DOSATRON. Nous vous félicitons de votre choix. Ce modèle a été élaboré grâce à l'expérience de plus de 30 années. Nos ingénieurs ont placé la série des DOSATRON largement en tête de ce que pouvait être l'évolution technique des pompes doseuses hydromotrices DOSATRON. Ce DOSATRON se révélera, au fil du temps, comme un allié des plus fidèles. Quelques soins dispensés régulièrement sauront vous garantir un fonctionnement dans lequel le mot panne n'a plus sa place.

VEUILLEZ DONC LIRE CE MANUEL ATTENTIVEMENT AVANT DE METTRE L'APPAREIL EN SERVICE.

Important !

La référence complète et le numéro de série de votre DOSATRON figure **sur le corps de pompe**. Vous êtes priés d'enregistrer ce numéro dans la partie réservée ci-dessous et de le rappeler lors de tout contact ou de besoin d'information avec votre vendeur.

Réf. :

N° Série :

Date d'achat :

.....

FR

CARACTERISTIQUES

	D14MZ3000 D14T ⁽¹⁾ MZ3000	D14MZ2 D14T ⁽¹⁾ MZ2
--	---	-----------------------------------

Débit pratique de fonctionnement :
 (1)
 (2)

Température maxi de fonctionnement :
 (1)
 (2)

Pression de fonctionnement:

PSI	4.3 - 85	4.3 - 85
bar	0.30 - 6	0.30 - 6

Dosage réglable extérieurement :

Ratio	1:3000 - 1:333	1:500 - 1:50
%	0.03 - 0.3	0.2 - 2

Débit d'injection du produit concentré :

US GPM - MAXI	0.04	0.28
US Fl. oz/min - MINI	0.0017	0.011
Mini l/h - Maxi l/h	0.003 - 9	0.02 - 60

Raccordement (NPT/BSP gaz mâle) :

Cylindrée du moteur hydraulique (tous les 2 clacs du piston) :

ATTENTION ! Le DOSATRON n'est pas pré-réglé, pour cela

ENCOMBREMENT

Diamètre : "[cm]	4 7/16 [11.2]	4 7/16 [11.2]
Haut. totale : "[cm]	21[53]	19 3/32 [48.5]
Larg. hors tout : "[cm]	6 5/16 [16]	6 5/16 [16]
Poids : ± lbs [kg]	3.5 [1.6]	3.7 [1.7]

COMPOSITION DU COLIS : 1 DOSATRON / 1 support mural pour
 DOSATRON / 1 tuyau d'aspiration de produit concentré / 1 crépine /
 1 tuyau d'injection pour modèles "IE" / 1 manuel d'utilisation

D14MZ5 D14T ⁽¹⁾ MZ5	D14MZ10	D14MZ520 ⁽²⁾
-----------------------------------	---------	-------------------------

..... 1/3 US Pint/min - 14 US GPM [10 l/h mini 3 m³/h maxi]
 0.4 US Pint/min - 14 US GPM [100 l/h mini 3 m³/h maxi]
 1/3 US Pint/min - 9 US GPM [10 l/h mini 2 m³/h maxi]

..... 104 °F [40 °C]
 140 °F [60 °C]
 104 °F [40 °C]

4.3 - 85 0.30 - 6	7 - 85 0.50 - 6	7 - 57 0.50 - 4
----------------------	--------------------	--------------------

1:200 - 1:2 0.5 - 5	1:100 - 1:10 1 - 10	1:20 - 1:4 5 - 25
------------------------	------------------------	----------------------

0.7 0.028 0.05 - 150	1.4 0.056 0.1 - 300	2.2 0.2818 0.5 - 500
----------------------------	---------------------------	----------------------------

..... 3/4" [Ø 20x27 mm]

..... environ 0.14 US Gallons [0.53 l]

se reporter au paragraphe REGLAGE DU DOSAGE

11.2 [4 7/16]	11.2 [4 7/16]	11.2 [4 7/16]
53.8 [21 3/16]	53.8 [21 3/16]	66 [26 1/8]
16 [6 5/16]	16 [6 5/16]	16 [6 5/16]
1.8 [3.9]	2 [4.4]	4 [8.8]

DIMENSIONS DE L'EMBALLAGE :

21 7/8" x 6 5/8" x 5 3/4" [55.2 x 16.5 x 14.5 cm]

POIDS DU COLIS :~ 4.4 - 8.8 US lbs [2 - 4 kg environ]

NOTES

.....

.....

.....

.....

.....

.....

.....

.....

.....

.....

.....

.....

.....

.....

.....

.....

.....

.....

.....

.....

.....

.....

Sommaire

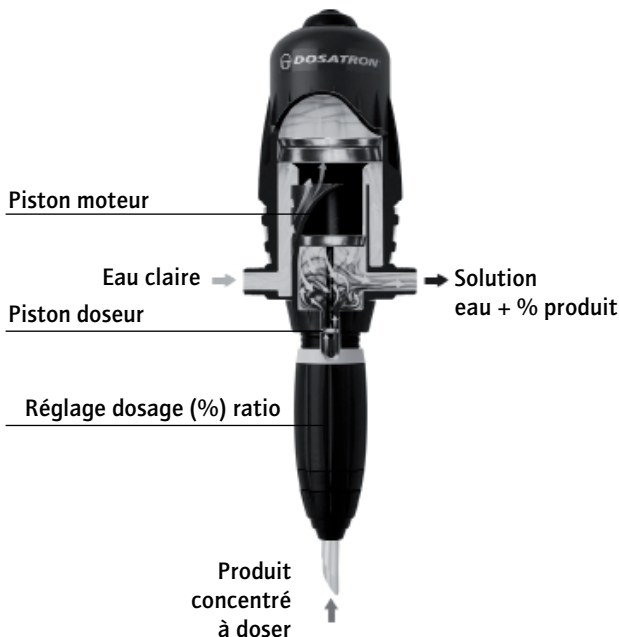
INSTALLATION	PAGE
Précautions	35
Installation du Dosatron.....	38
Raccordement de l'injection externe	40
Conseil d'installation	43
 MISE EN SERVICE	
Première mise en service	44
 ENTRETIEN	
Recommandations	45
Vidange du Dosatron.....	45
Conversions - mesures internationales	46
Raccordement du tuyau d'aspiration.....	46
Réglage du dosage	46
Changement du piston moteur	47
Changement des joints de la partie dosage.....	48
 DÉSIGNATION/RÉFÉRENCE	50
 INCIDENTS POSSIBLES	51
 GARANTIE	53

FR

Précis, simple et fiable

Une technologie unique intégrant toutes les fonctions du dosage

Installé sur le réseau d'eau, le Dosatron utilise la pression d'eau comme seule force motrice. Ainsi actionné, il aspire le produit concentré, le dose au pourcentage désiré, puis le mélange avec l'eau motrice. La solution réalisée est alors envoyée en aval. La dose de produit injecté est toujours proportionnelle au volume d'eau qui traverse le Dosatron, quelles que soient les variations de débit ou de pression du réseau.



Installation

PRECAUTIONS

1 - GENERALITES

- Quand on connecte un DOSATRON, que ce soit au réseau d'eau public ou à son propre point d'eau, il est impératif de respecter les normes de protection et de disconnexion. DOSATRON recommande un disconnecteur afin d'éviter la contamination de l'alimentation d'eau.

- Lors du raccordement du Dosatron au réseau d'eau, s'assurer que l'eau s'écoule dans le sens des flèches indiqué sur votre appareil.

- Dans le cas où l'installation serait plus haute que le DOSATRON lui-même, un risque de retour d'eau et de produit dans le DOSATRON est possible ; il est alors conseillé d'installer un clapet anti-retour en aval de l'appareil.

- Dans les installations où un risque de siphonnage existe, il est conseillé de placer un clapet anti-siphon en aval du doseur.

- Ne pas installer le DOSATRON au-dessus d'un bac d'acide ou de produit agressif, décaler le bidon et le protéger, à l'aide d'un couvercle, d'éventuelles émanations de produits.

- Tenir le DOSATRON éloigné des sources de chaleur importante et en hiver le mettre hors gel.

- Ne pas installer le DOSATRON sur le circuit d'aspiration de la pompe motrice (siphonnage).

⚠ ATTENTION ! Ne pas utiliser d'outil ou ustensile métallique.

- L'opérateur doit se tenir face au DOSATRON et porter des lunettes et des gants de protection lors de toute intervention.

- Pour assurer la précision du dosage, le remplacement annuel des joints de la partie dosage reste sous la seule responsabilité de l'utilisateur.

- Le réglage du dosage du Dosatron est sous la responsabilité exclusive de son utilisateur. Celui-ci est tenu de respecter rigoureusement les recommandations du fabricant des produits chimiques.

⚠ AVERTISSEMENT

Pendant l'installation, l'utilisation et la maintenance de la pompe doseuse hydromotrice DOSATRON respectez en priorité les consignes de sécurité : utilisez des outils adéquats, des vêtements de protection et des lunettes de sécurité lorsque vous travaillez sur le matériel, et procédez à l'installation en vue d'assurer un fonctionnement sans risque.

1 - GENERALITES (suite)

Suivez les instructions de ce manuel et prenez des mesures de sécurité appropriées à la nature du liquide aspiré et à la température de l'eau. Soyez extrêmement attentif en présence de substances dangereuses (corrosives, toxiques, dissolvantes, acides, caustiques, inflammables, etc.).

- Pour le dosage de ces substances, merci de consulter votre vendeur avant toute utilisation pour confirmer la compatibilité avec le doseur.

Pour l'installation du Dosatron sur un réseau d'eau chaude (140°F / 60°C Max) un doseur avec l'option «T» est requi.

Cette température supérieure augmente le risque et la dangerosité des substances citées ci-dessus. Il est fortement recommandé d'équiper le doseur, comme l'ensemble de votre installation eau chaude avec un marquage signalant ce risque et de se conformer à la législation en vigueur.

ATTENTION

Le personnel en charge de l'installation, de l'utilisation et de la maintenance de ce matériel doit avoir une parfaite connaissance du contenu de ce manuel.

- S'assurer que le débit et la pression

de l'eau de l'installation sont en conformité avec les caractéristiques du DOSATRON.

- Le réglage du dosage doit être effectué hors pression. Fermer l'arrivée d'eau et chuter la pression à zéro.

- L'utilisateur sera seul responsable du choix correct des réglages du DOSATRON pour l'obtention du dosage voulu.

- Une prise d'air, une impureté ou une attaque chimique du joint peut interrompre le bon fonctionnement du dosage. Il est recommandé de vérifier périodiquement que le produit concentré à doser est bien aspiré dans le DOSATRON.

- Changer le tuyau d'aspiration du DOSATRON dès que ce dernier semble détérioré par le concentré dosé.

- En fin d'utilisation, mettre le système hors pression (recommandé).

- Le rinçage (eau claire) du DOSATRON est impératif :

• à chaque changement de produit,
• avant chaque manipulation, afin d'éviter tout contact avec des produits agressifs.

- Tout montage ou tout serrage doit être fait sans outil et manuellement.

2 - EAUX CHARGEES

- Dans le cas d'eaux très chargées, installer **impérativement** en amont

du DOSATRON un filtre à tamis (ex. : 50 mesh - 300 microns selon la qualité de votre eau). Si ce filtre n'est pas installé, des particules abrasives causeront l'usure prématurée du DOSATRON.

3 - COUPS DE BELIER / SURDEBIT

- Pour les exploitations sujettes aux coups de bélier, il est nécessaire d'installer un dispositif anti-bélier (système de régulation pression / débit).

- Pour les installations automatisées, utiliser de préférence des électrovannes à ouvertures et fermetures lentes.

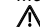
- Dans le cas où un DOSATRON alimenterait plusieurs secteurs, actionner les électrovannes de façon simultanée (fermeture d'un secteur et ouverture d'un autre secteur en même temps).

4 - LOCALISATION DE L'INSTALLATION

- Le DOSATRON et le produit à doser doivent être accessibles. Leur installation ne doit en aucun cas présenter un risque de pollution ou de contamination.

- Il est recommandé d'équiper toutes les canalisations d'eau avec un marquage signalant que l'eau

contient des additifs et porter la mention :

 ATTENTION ! Eau Non Potable.

5 - MAINTENANCE

- Après utilisation, il est recommandé de faire aspirer de l'eau claire (~ 1 litre [0.264 US Gallons]).

- Une maintenance annuelle optimisera la longévité de votre DOSATRON. Remplacer une fois par an les joints de dosage et le tuyau d'aspiration de produit.

6 - SERVICE

- Ce DOSATRON a été testé avant son emballage.

- Des sous-ensembles de réparation et des pochettes de joints sont disponibles.

- Ne pas hésiter à appeler votre distributeur ou DOSATRON pour tout service après-vente.

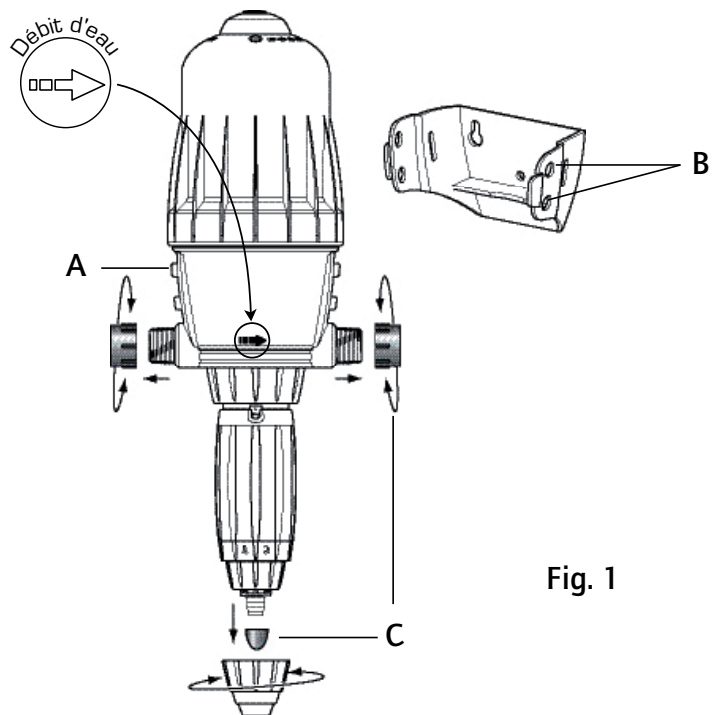


Fig. 1

L'INSTALLATION DOIT SE FAIRE SANS OUTIL

Le DOSATRON est livré avec :

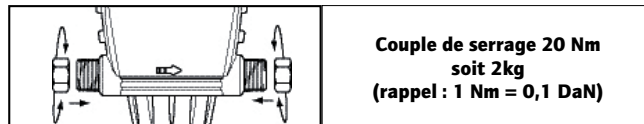
- un support mural,
- un tuyau d'aspiration avec crépine.

Le support permet la fixation murale du DOSATRON.

Introduire le DOSATRON dans le support en écartant légèrement les bras de ce dernier afin d'enclencher les 4 ergots du corps principal (Fig. 1-A) dans les trous correspondants du support (Fig. 1-B).

Enlever les bouchons de protection (Fig. 1-C) qui obturent les orifices de votre DOSATRON avant de le raccorder sur le réseau d'eau.

RECOMMANDATIONS



Le raccordement de l'appareil au réseau d'eau peut s'effectuer à l'aide de tuyaux souples de 20 mm de diamètre intérieur fixés à l'aide de colliers et raccords tournants Ø 3/4" [20 x 27 mm]. S'assurer que l'eau s'écoule dans le sens des flèches sur l'appareil.

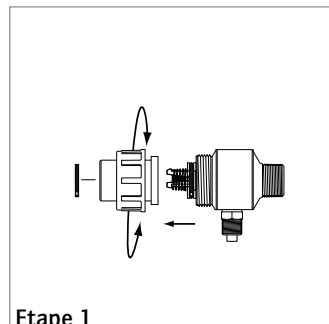
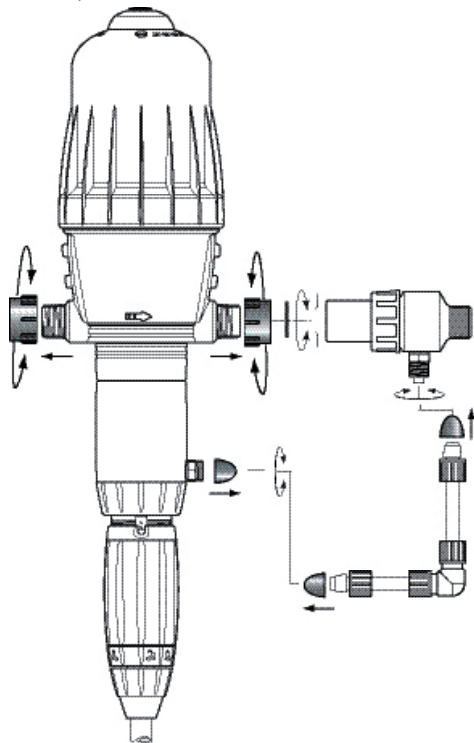
Le DOSATRON est livré avec un tuyau d'aspiration (à raccourcir suivant besoin) qui permet son utilisation avec un récipient de grande contenance. Ce tuyau doit être muni obligatoirement de la crépine et du lest. Pour le raccordement de ce tuyau, voir le chapitre correspondant. **NOTA** : La hauteur d'aspiration est de maximum 13 ft [4 mètres].

Raccorder le tuyau muni de sa crépine et de son lest, le plonger dans la solution à doser.

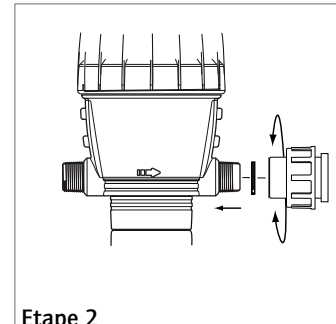
RACCORDEMENT DE L'INJECTION EXTERNE (IE)

Pour les modèles Injection Externe (IE) qui permettent de travailler avec certains concentrés corrosifs, le Dosatron est également livré avec une canne d'injection externe. Enlever les bouchons de protection qui obturent les orifices de votre DOSATRON et de votre kit injection externe.

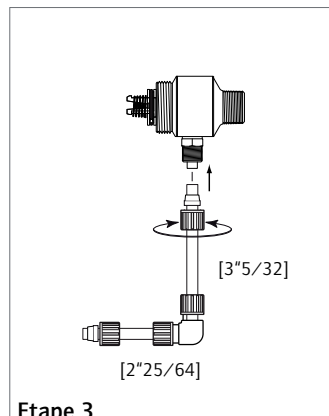
ATTENTION à ne pas forcer en vissant les éléments !



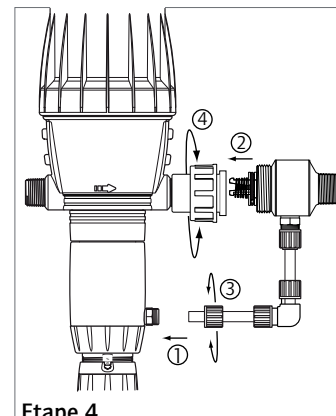
Etape 1



Etape 2



Etape 3

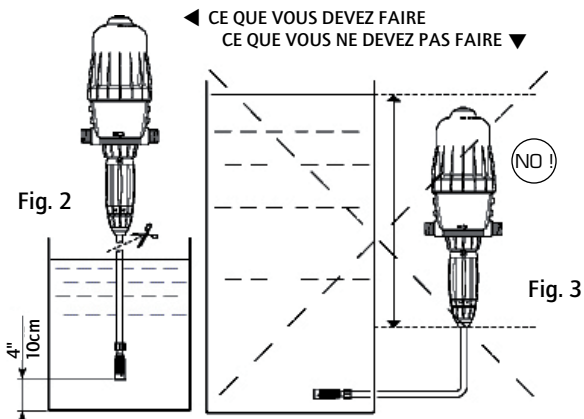


Etape 4

INSTALLATION DU DOSATRON (suite)

ATTENTION ! Laisser la crépine à 4" [10 cm] environ du fond du bac de solution afin d'éviter d'aspirer les particules non solubles qui risquent d'endommager le corps doseur.

- Ne pas poser la crépine sur le sol.



En aucun cas le niveau de la solution ne doit être au-dessus de l'entrée d'eau dans le DOSATRON (afin d'éviter tout siphonnage) (Fig. 3).

CONSEIL D'INSTALLATION

Sur la canalisation d'eau, les montages peuvent être faits en ligne (Fig. 4), en by-pass conseillé (Fig. 5).

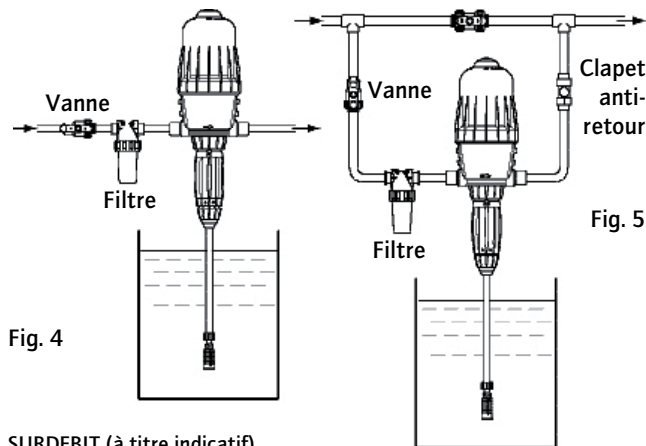
Si votre débit est supérieur aux limites du DOSATRON, voir § SURDEBIT.

Afin de préserver la longévité du DOSATRON, il est conseillé de monter un filtre (ex. : 300 mesh - 60 microns selon la qualité de votre eau) en amont de celui-ci. Cette précaution est indispensable quand l'eau est chargée en impuretés ou particules, surtout si l'eau provient d'un forage. Le filtre est conseillé et nécessaire

pour que la garantie soit valable.

Le montage en by-pass permet l'alimentation en eau claire de l'installation sans faire fonctionner le DOSATRON et permet le démontage aisé de celui-ci.

Pour toute installation sur le réseau d'eau potable, respectez les normes et réglementations en vigueur dans le pays.



SURDEBIT (à titre indicatif)

Si votre DOSATRON claque plus de 46 coups, soit 23 cycles en 15 secondes*, vous êtes en limite de capacité de débit supérieur. Pour aller au-delà, choisir un DOSATRON à capacité de débit d'eau supérieur.

*D14M2520 = 30 coups, 15 cycles

Mise en service du DOSATRON

PREMIERE MISE EN SERVICE

- Ouvrir légèrement l'arrivée d'eau.
- Appuyer sur le bouton de purge au sommet de la cloche (Fig. 6).
- Dès l'apparition d'un échappement d'eau constant (pas de crachement d'air) autour du bouton, lâcher ce dernier.
- Ouvrir progressivement l'arrivée d'eau, le DOSATRON s'auto-amorce.
- Le laisser fonctionner jusqu'à ce que le produit à doser monte dans la partie dosage (visualisation à travers le tuyau transparent).
- Le DOSATRON émet un « clic clac » caractéristique de son fonctionnement.

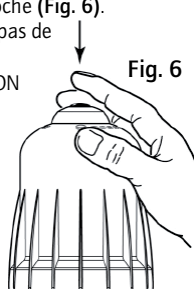
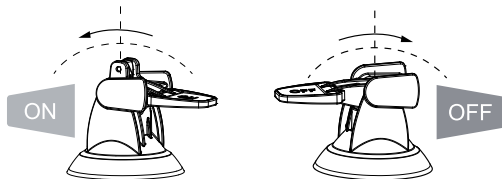


Fig. 6

NOTA : Le temps d'amorçage de la solution dosée est fonction du débit, du réglage du dosage et de la longueur du tuyau d'aspiration de produit.
Pour accélérer l'amorçage, régler le dosage au maximum.
Une fois l'amorçage réalisé, faire chuter la pression à zéro et régler le dosage à la valeur désirée (voir § REGLAGE DU DOSAGE).

Le DOSATRON peut être équipé, dans sa partie haute, d'une fonction by-pass (matériel en option) :

- By-pass sur **ON**, le DOSATRON fonctionne et le produit est aspiré.
- By-pass sur **OFF**, le DOSATRON est arrêté et n'aspire pas le produit.



Entretien

RECOMMANDATIONS

1 - Lorsque vous utilisez des produits solubles mis en solution, il est conseillé de démonter périodiquement la partie dosage complète (se reporter : § NETTOYAGE DU CLAPET D'ASPIRATION, § CHANGEMENT DES JOINTS DE DOSAGE). Rincer abondamment les éléments de la partie dosage à l'eau claire, les remonter en ayant au préalable graissé avec une graisse au silicone le joint repéré (Fig. 7).

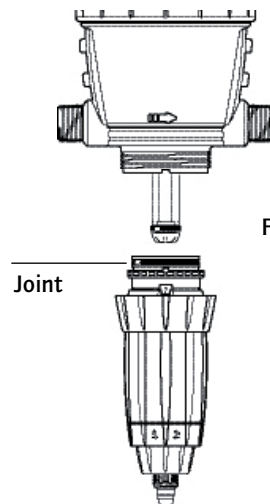


Fig. 7

2 - Avant la remise en service du DOSATRON en début de période d'utilisation, sortir le piston moteur et le tremper dans de l'eau tiède < 104°F (40° C) pendant quelques heures. Cette opération permet d'éliminer les dépôts ayant séché dans le piston moteur.

VIDANGE DU DOSATRON (dans le cadre d'une mise hors gel)

- Fermer l'arrivée d'eau et faire chuter la pression à zéro.
- Enlever la partie dosage (§ CHANGEMENT DU PISTON MOTEUR).
- Enlever la cloche et le moteur.
- Débrancher les raccords à l'entrée et à la sortie d'eau.
- Vider le corps principal après l'avoir enlevé du support mural.
- Procéder au remontage en ayant au préalable nettoyé le joint d'étanchéité.

CONVERSIONS - Mesures internationales

Principe : Réglage à 1% $\Rightarrow 1/100 = 1$ volume de produit concentré pour 100 volumes d'eau.

Ex. : Réglage à 2 % $\Rightarrow 2/100 = 2$ volumes de produit concentré pour 100 volumes d'eau.

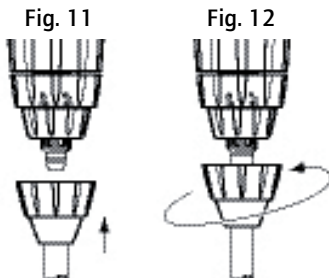
Rapport $\Rightarrow 1/50$.

RACCORDEMENT DU TUYAU D'ASPIRATION

Dans le cas de raccordement sur un DOSATRON déjà utilisé, consulter impérativement le § PRECAUTIONS.

- Dévisser l'écrou (Fig. 11) du bas de la partie dosage et enfiler le tuyau d'aspiration dans l'écrou.

- Pousser à fond le tuyau sur l'embout cannelé et revisser l'écrou à la main (Fig. 12).



REGLAGE DU DOSAGE (hors pression)

ATTENTION ! Ne pas utiliser d'outil

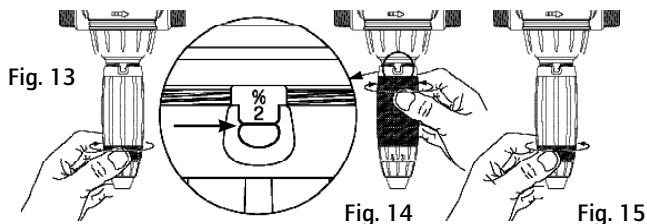
Le réglage du dosage doit être effectué hors pression

- Fermer l'arrivée d'eau et faire chuter la pression à zéro.

- Desserrer la bague de blocage (Fig. 13).

- Visser ou dévisser la douille de réglage pour que les 2 pointes de l'œillet de visualisation soient en regard du repère de dosage choisi (Fig. 14).

- Resserrer la bague de blocage (Fig. 15).



CHANGEMENT DU PISTON MOTEUR (hors pression)

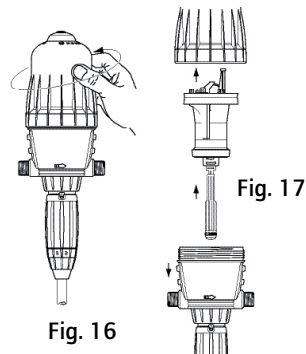


Fig. 16

Fig. 17

- Fermer l'arrivée d'eau et faire chuter la pression à zéro.

- Dévisser la cloche à la main (Fig. 16) et la retirer.

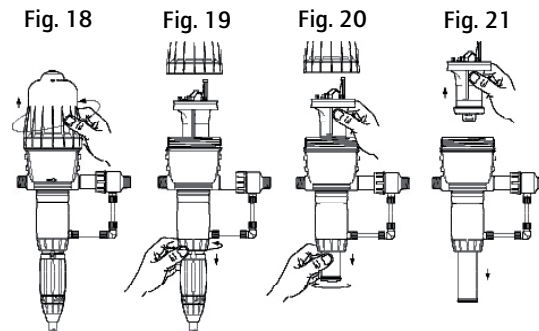
- Sortir l'ensemble piston moteur (Fig. 17) en tirant vers le haut.

- La tige et le piston plongeur suivent le piston moteur vers le haut.

- Changer et remonter l'ensemble dans le sens inverse du démontage.

- Remonter la cloche en prenant garde de ne pas abîmer son joint et la visser à la main.

CHANGEMENT DU PISTON MOTEUR D14MZ520 (hors pression)



- Fermer l'arrivée d'eau et faire chuter la pression à zéro.

- Dévisser la cloche à la main (Fig. 18) et la retirer.

- Dévisser l'écrou partie basse (Fig. 19) et le retirer.

- Tenir le piston moteur et tourner

d'un quart de tour le plongeur (Fig. 20).

- Changer et remonter l'ensemble dans le sens inverse du démontage.

- Remonter la cloche en prenant garde de ne pas abîmer son joint et la visser à la main (Fig. 21).

- Remonter le sous-ensemble dosage.

CHANGEMENT DES JOINTS DE LA PARTIE DOSAGE (hors pression)

Périodicité : au moins une fois par an.

ATTENTION ! Ne pas utiliser d'outil ou d'ustensile métallique.

CONSEIL : Avant tout démontage de la partie dosage, il est conseillé de faire fonctionner le DOSATRON en aspirant de l'eau claire afin de rincer le système d'injection. Ceci évite tout risque de contact avec des produits pouvant se trouver dans la partie dosage. Porter des lunettes et des gants de protection lors de toute intervention de cette nature !

METHODE POUR RETIRER UN JOINT

Fig. 22 : Entre le pouce et l'index, pincer la pièce et le joint ; le repousser vers le côté opposé pour le déformer.

Fig. 23 : Accentuer la déformation pour saisir la partie du joint qui dépasse, dégager ensuite ce dernier hors de sa gorge.

Nettoyer la portée de joint sans outil.

Le remontage se fait à la main.

Il est très important que le joint ne soit pas vrillé une fois en place car l'étanchéité ne serait pas assurée.

Fig. 22



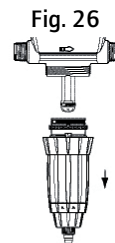
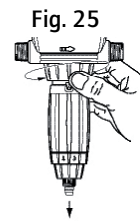
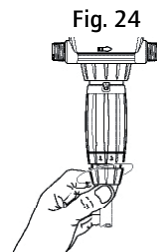
Fig. 23



CHANGEMENT DES JOINTS DE DOSAGE

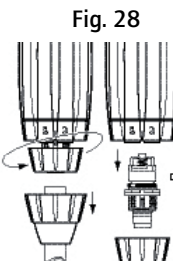
Voir éclatés des différents modèles à la fin de cette notice.

- **Changer les joints de dosage au moins une fois par an.**
- Fermer l'arrivée d'eau et faire chuter la pression à zéro.
- Démontez le tuyau d'aspiration de produit (Fig. 24).
- Dévisser l'écrou de maintien du sous-ensemble dosage (Fig. 25).
- Tirer vers le bas pour dégager la partie dosage (Fig. 26).
- Effectuer le changement des joints, du clapet et de la queue cannelée.
- Remonter dans l'ordre inverse du démontage à la main.

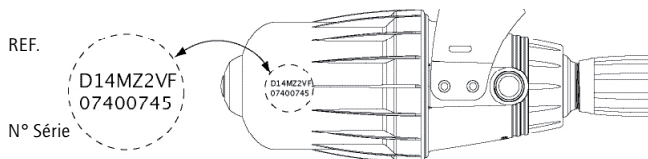


NETTOYAGE ET REMONTAGE DU CLAPET D'ASPIRATION

- Fermer l'arrivée d'eau et faire chuter la pression à zéro.
- Dévisser l'écrou et enlever le tuyau d'aspiration (Fig. 27).
- Dévisser et enlever l'écrou supportant le clapet d'aspiration (Fig. 28), démonter ce dernier, puis rincer abondamment à l'eau claire les différentes parties.
- Les remettre en place suivant l'ordre et la position du schéma (Fig. 29).



Désignation / référence



REF. :	N° Série :										
EXEMPLE	D14	T	RE/GL	1:200	IE	BP	V	AF	P	II	
Type de DOSATRON											
Temperature											
RE : Réglable											
Dosage (ratio OU%)											
IE= Injection externe											
BP : By-pass intégré											
V : Produits Visqueux (> 400 cPs)											
Joints Dosage : AF = PH 7-14 VF = PH 1-7 K = acides forts (>15%)											
Couleur : - = Bleu [PP] P = Blanc [PVDF] R = Rouge [PP] V = Vert [PP] J = Jaune [PP] O = Orange [PP]											
Autres extensions (à nous préciser)											

Incidents possibles

SYMPTOME	CAUSE	REMEDE
Piston moteur		
Votre DOSATRON ne démarre pas ou s'arrête	Piston moteur bloqué	Relancer le piston moteur en l'actionnant manuellement
	Présence d'air dans le DOSATRON	Chasser l'air par purge
	Surdébit	1. Réduire le débit, remettre en route 2. Vérifier la présence des joints des soupapes du moteur
	Piston moteur cassé	Renvoyer le DOSATRON à votre distributeur.
Dosage		
Refoulement dans le bac de produit	Clapet d'aspiration ou joint de clapet sale, usé ou absent	A nettoyer ou à remplacer
Pas d'aspiration de produit	Le piston moteur est arrêté	Voir Incidents Piston moteur
	Prise d'air au niveau du tuyau d'aspiration	Vérifier le tuyau d'aspiration et le serrage de ses écrous
	Tuyau d'aspiration obstrué ou crépine colmatée	Les nettoyer ou les remplacer
	Joint du clapet d'aspiration usé, mal monté ou encrassé	Le nettoyer ou le remplacer

SYMPTOME	CAUSE	REMEDE
Dosage		
Pas d'aspiration de produit (suite)	Joint de plongeur mal monté, encrassé ou gonflé	Le nettoyer ou le remplacer
	Corps doseur rayé	Le remplacer
Sous dosage	Prise d'air	1. Vérifier le serrage des écrous de la partie dosage 2. Vérifier l'état du tuyau d'aspiration
	Joint du clapet d'aspiration usé ou sale	Le nettoyer ou le remplacer
	Surdébit (cavitation)	Réduire le débit
	Joint de plongeur usé	Le remplacer
	Corps doseur rayé	Le remplacer
Fuites		
Fuites à proximité de la bague de fixation sous le corps de pompe	Joint de chemise abîmé, mal positionné ou absent	Le positionner correctement ou le remplacer
Fuites entre la douille de réglage et la bague de blocage	Joint de corps doseur abîmé, mal positionné ou absent	Le positionner correctement ou le remplacer
Fuites entre le corps et la cloche	Joint de cloche abîmé, mal monté ou absent	Le positionner correctement, nettoyer la portée de siège du joint ou le remplacer.

**DOSATRON INTERNATIONAL
DECLINE TOUTE RESPONSABILITE EN CAS D'UTILISATION
NON CONFORME A LA NOTICE D'EMPLOI.**

Garantie

DOSATRON INTERNATIONAL S.A.S. s'engage à remplacer toute pièce reconnue défectueuse d'origine pendant une période de douze mois à compter de la date de l'achat par l'acheteur initial.

Pour obtenir le remplacement sous garantie, l'appareil ou la pièce détachée doit être renvoyé avec la preuve d'achat initial au fabricant ou au distributeur agréé.

Il pourra être reconnu défectueux après vérification des services techniques du fabricant ou du distributeur.

L'appareil doit être rincé de tout produit chimique et envoyé au fabricant ou au distributeur port payé, puis il sera retourné gratuitement après réparation si celle-ci est couverte par la garantie.

Les interventions réalisées au titre de la garantie ne pourront avoir pour objet d'en prolonger la durée.

Cette garantie ne s'applique qu'aux défauts de fabrication.

Cette garantie ne couvre pas les défauts constatés provenant d'une installation anormale de l'appareil,

de la mise en œuvre d'outillages non appropriés, d'un défaut d'installation ou d'entretien, d'un accident d'environnement ou par la corrosion due à des corps étrangers ou des liquides trouvés à l'intérieur ou à proximité de l'appareil.

Pour le dosage de produits agressifs, merci de consulter votre vendeur avant toute utilisation pour confirmer la compatibilité avec le doseur.

Les garanties ne comprennent pas les joints (pièces d'usure) ni les dommages causés par les impuretés de l'eau, tel que le sable.

Un filtre (ex. : 300 mesh - 60 microns selon la qualité de votre eau) doit être installé devant l'appareil pour valider cette garantie.

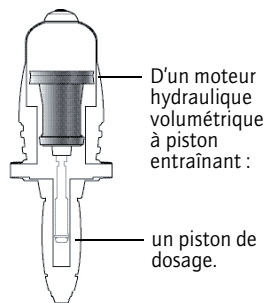
DOSATRON INTERNATIONAL S.A.S. décline toute responsabilité si l'appareil est utilisé dans des conditions non conformes aux prescriptions et tolérances du manuel d'utilisation.

Il n'y a pas de garantie explicite ou implicite relative à d'autres produits ou accessoires utilisés avec les appareils de DOSATRON INTERNATIONAL S.A.S.

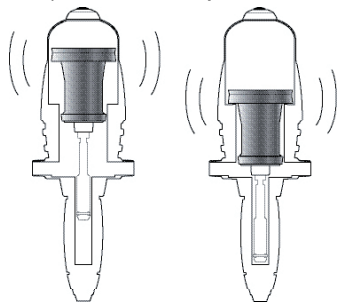
CONNAITRE VOTRE DEBIT

UNE METHODE SIMPLE

LE DOSATRON EST CONSTITUE :



Dans son mouvement de va-et-vient, le piston moteur **claque** :



2 clacs = 1 cycle moteur
= 1 cylindrée moteur

1 fois en position haute

1 fois en position basse

La cadence du moteur est proportionnelle au débit d'eau passant par l'appareil.

■ Calcul du débit d'eau en litres/H =

$$\frac{\text{Nombre de clacs en 15 secondes}}{2} \times 4 \times 60 \times 0.53$$

calcul pour 1 minute (pointing to 4)
calcul pour 1 heure (pointing to 60)
cylindrée du moteur en litre (pointing to 0.53)

■ Calcul du débit d'eau en GPM =

$$\frac{\text{Nombre de clacs en 15 secondes}}{2} \times 4 \times 0.53 \div 3.8$$

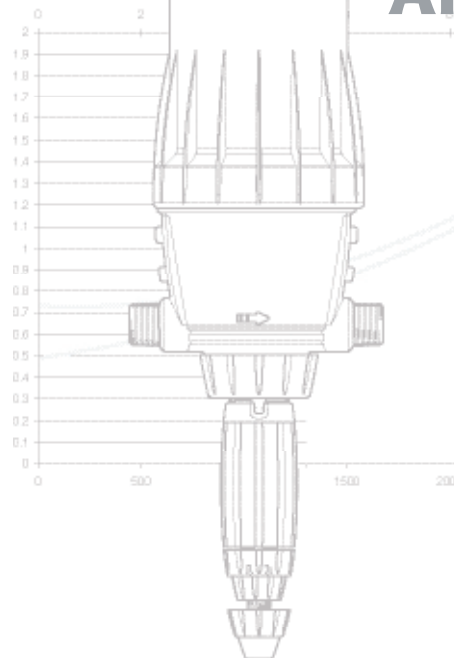
calcul pour 1 minute (pointing to 4)
cylindrée du moteur en litre (pointing to 0.53)
conversion litres en gallons (pointing to 3.8)

NOTA : Cette méthode de calcul ne saurait remplacer un débitmètre. Elle est donnée seulement à titre indicatif.

Enclosure

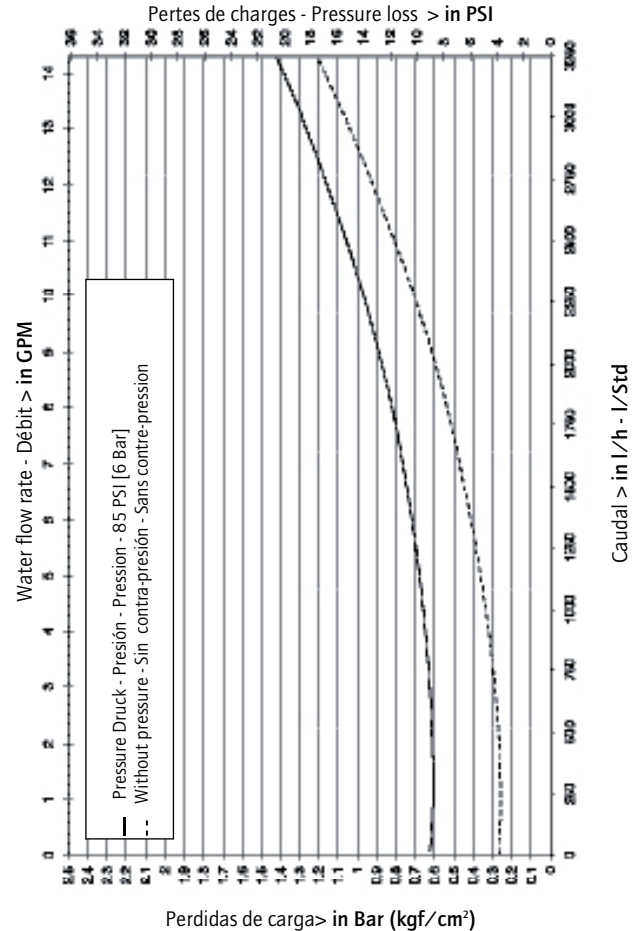
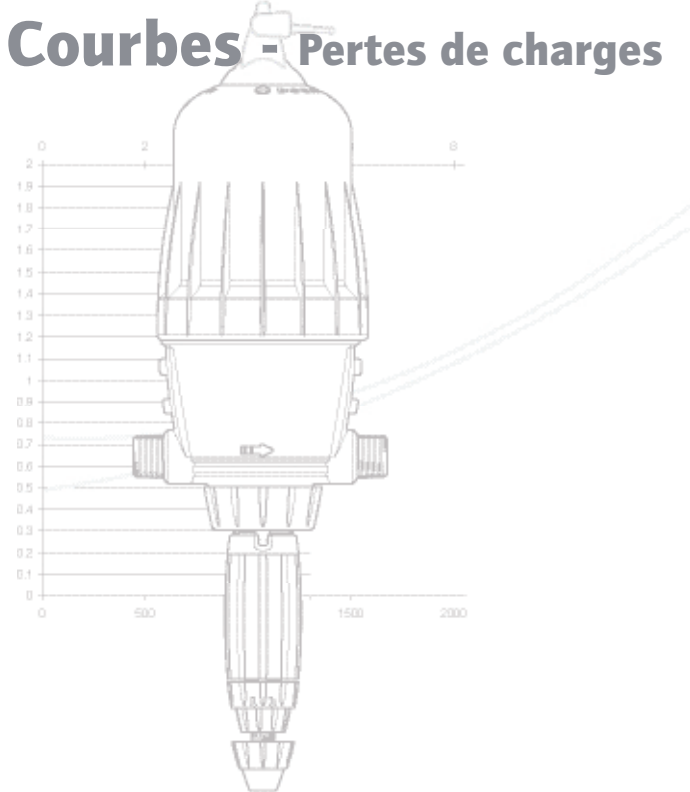
Anejos

Annexes



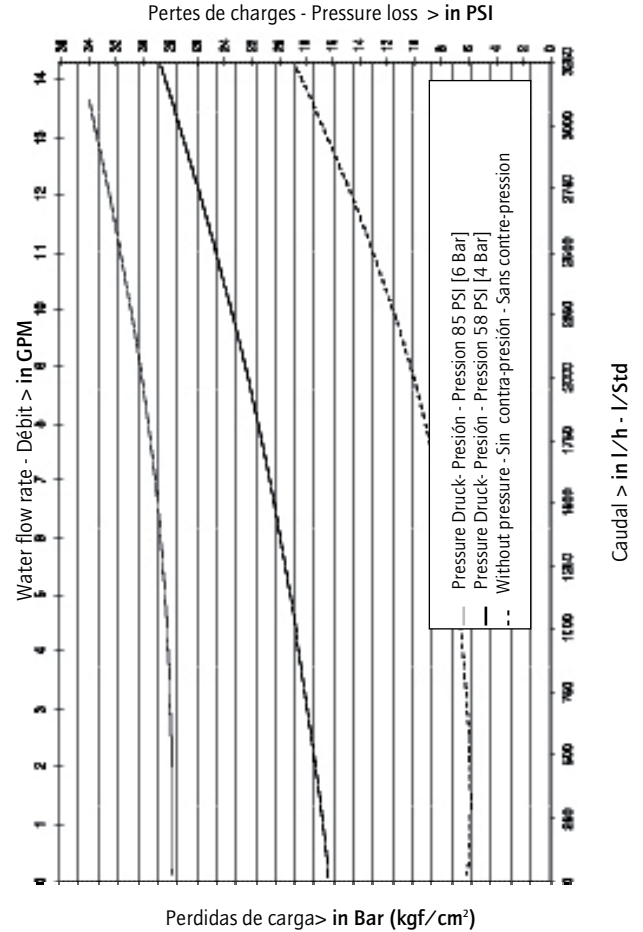
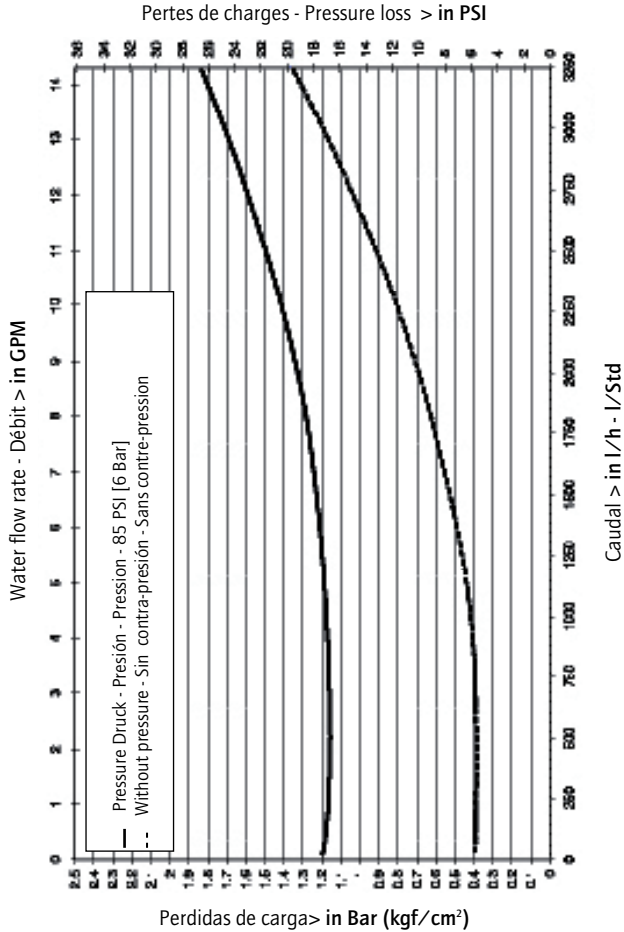
Curves - Pressure loss

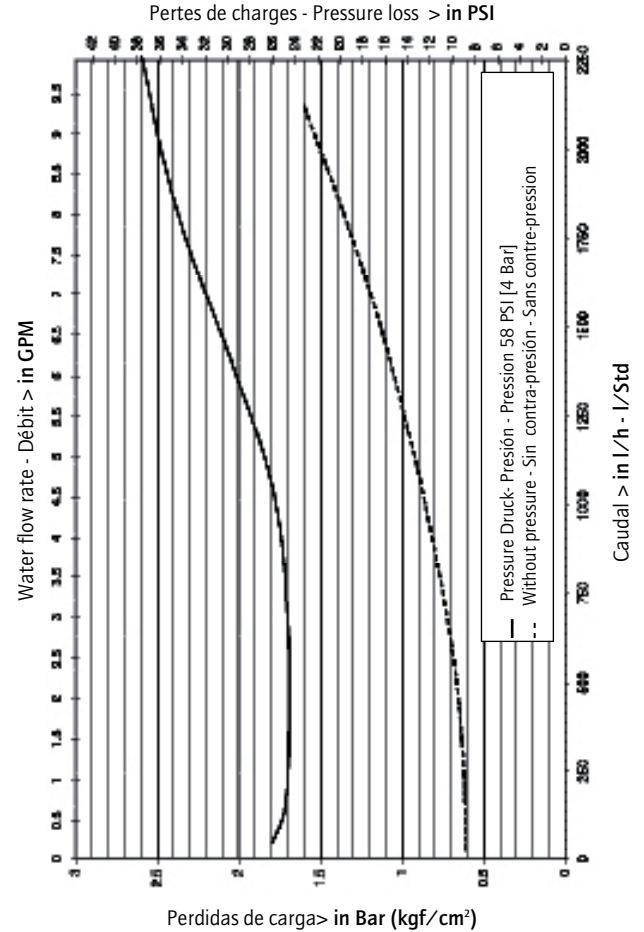
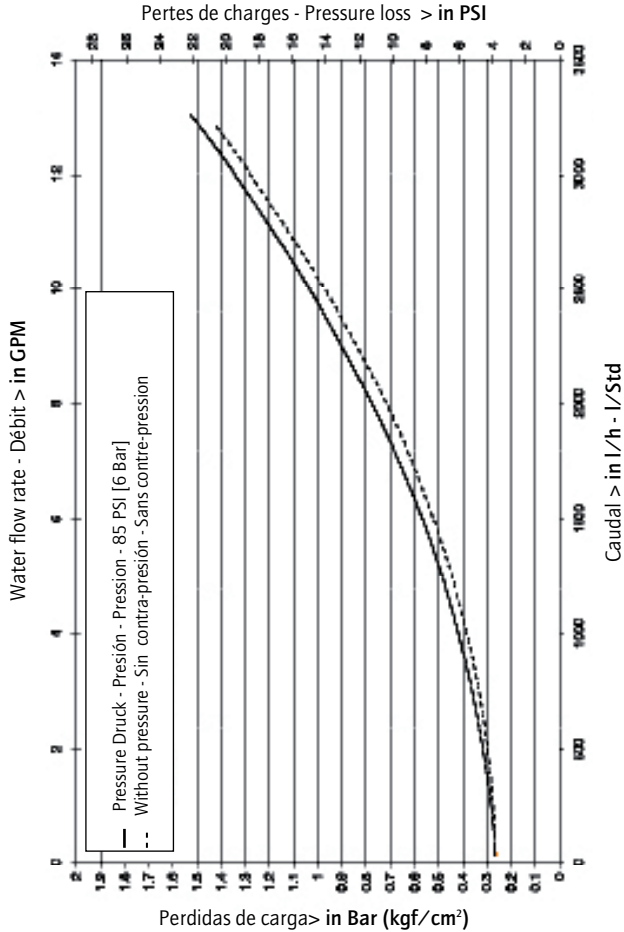
Curvas - Perdidas de carga



Perdidas de carga > in Bar (kgf/cm²)

Caudal > in l/h - l/Std





NOTES

.....

.....

.....

.....

.....

.....

.....

.....

.....

.....

.....

.....

.....

.....

.....

.....

.....

.....

.....

.....

.....

.....

.....

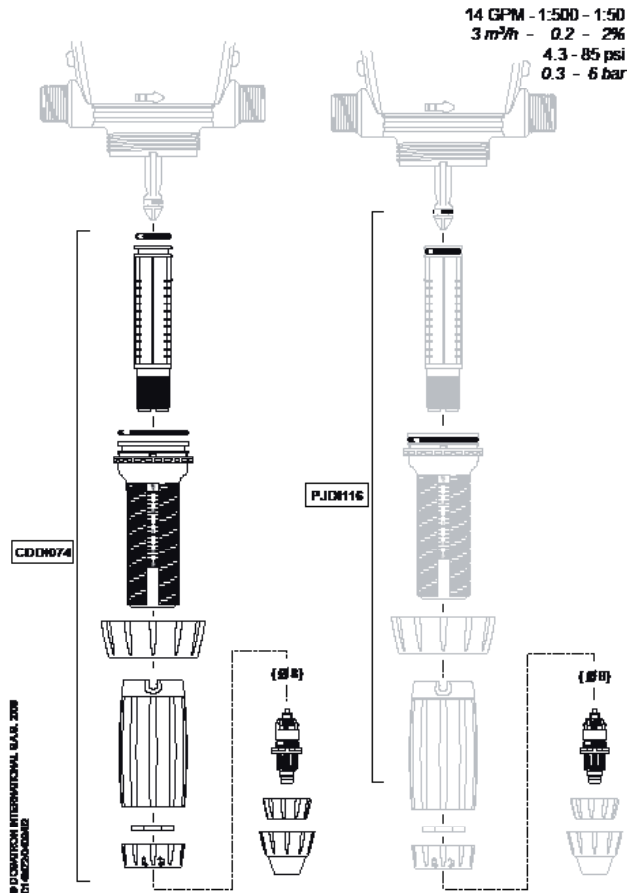
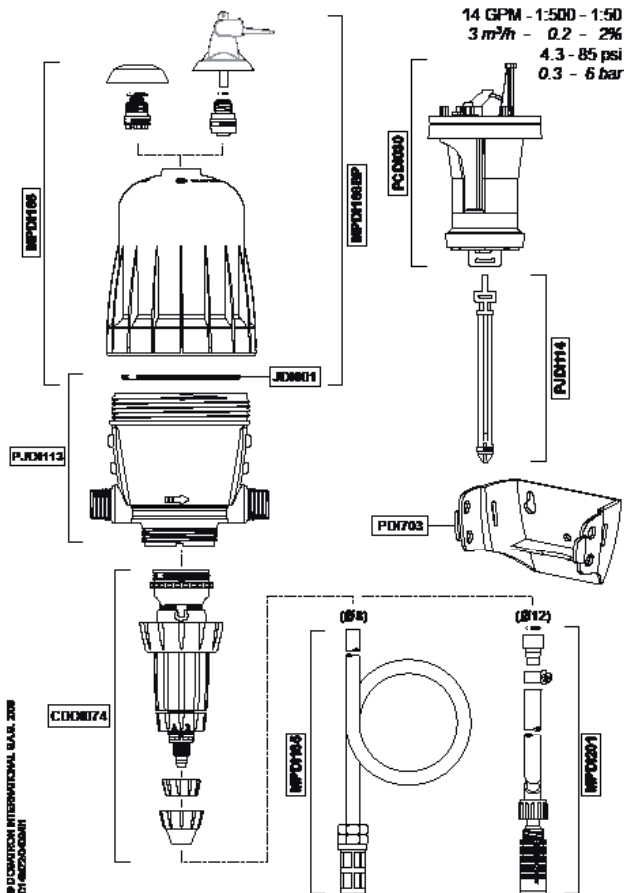
.....

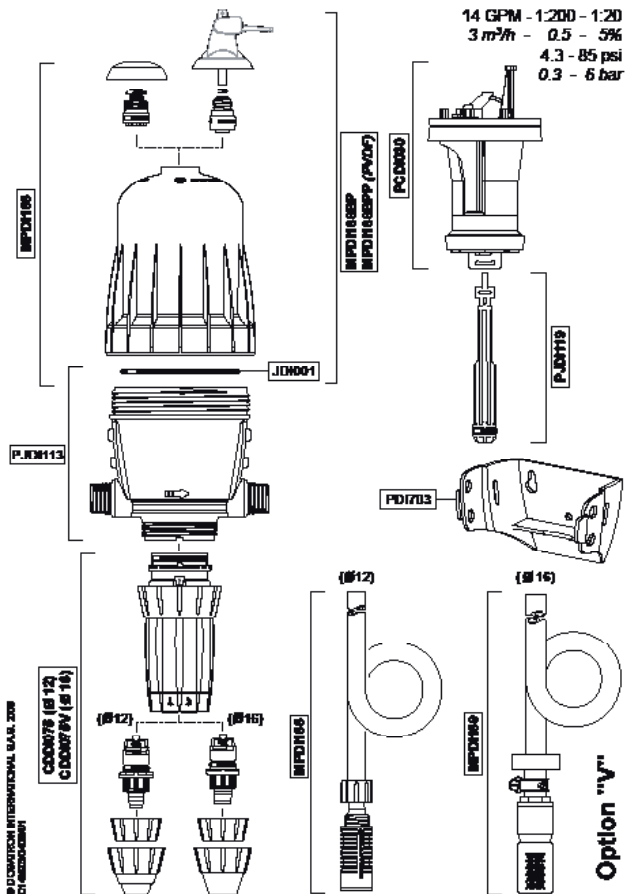
.....

.....

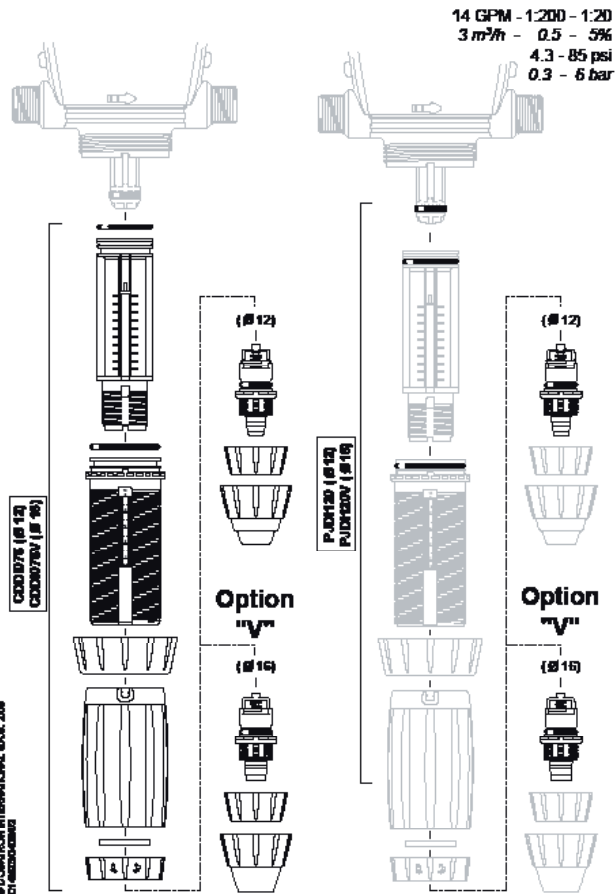
Parts diagram Esquemas Éclatés



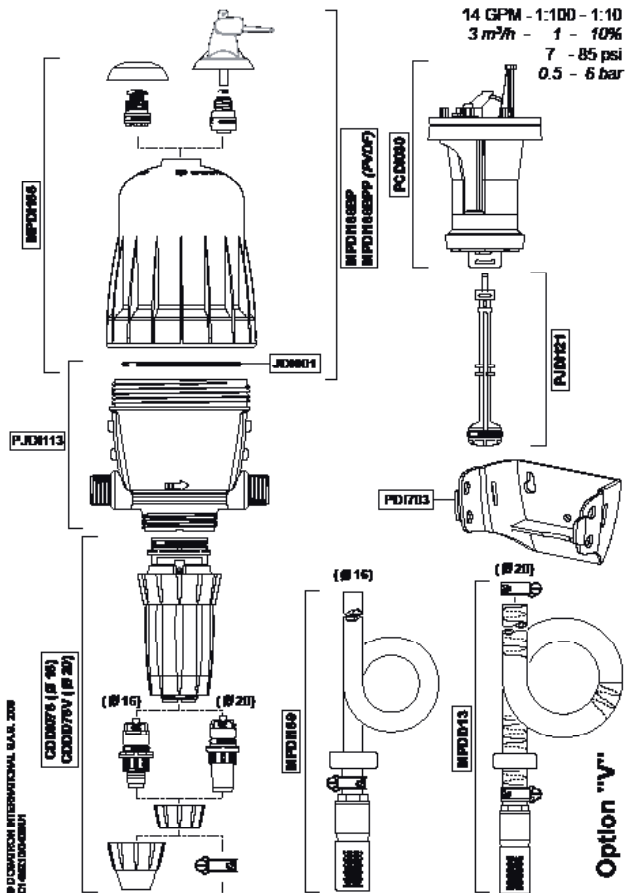




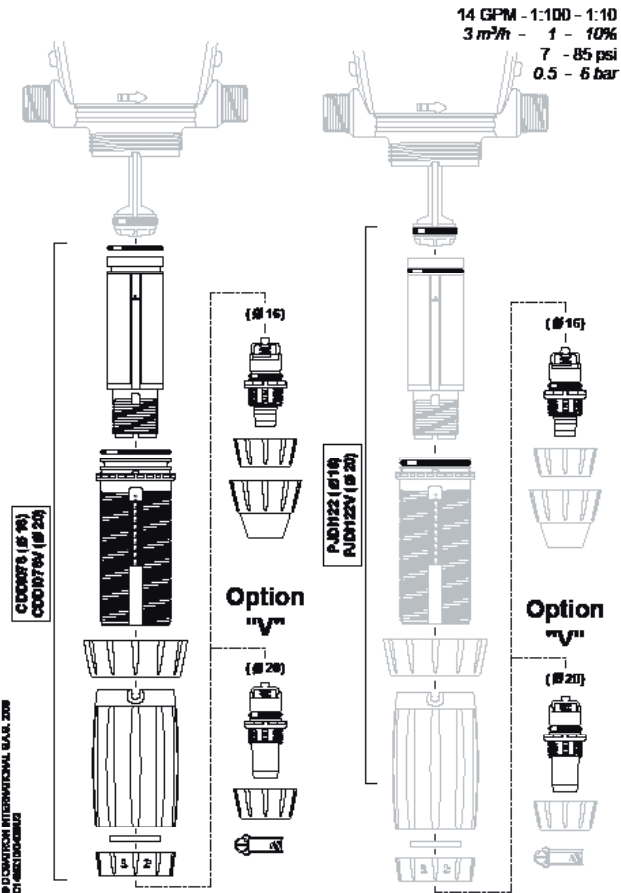
© DOSATRON INTERNATIONAL S.R.L. 200
 D14MZ5/000001



© DOSATRON INTERNATIONAL S.R.L. 200
 D14MZ5/000001



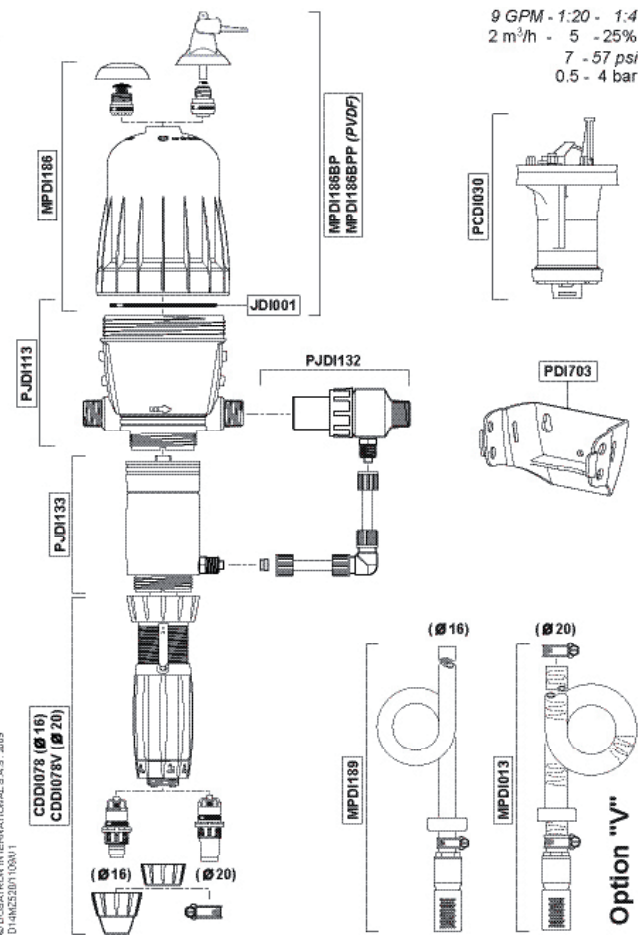
© DOSATRON INTERNATIONAL S.A.S. 2008
D14MZ10A0001



© DOSATRON INTERNATIONAL S.A.S. 2008
D14MZ10B0001

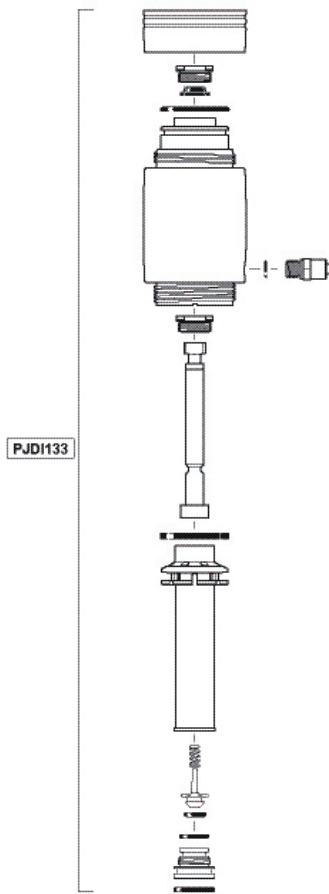
D14MZ520

9 GPM - 1:20 - 1:4
 2 m³/h - 5 - 25%
 7 - 57 psi
 0.5 - 4 bar



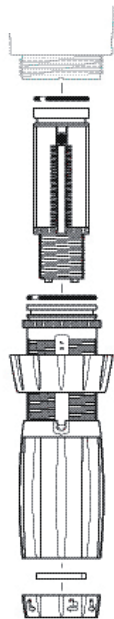
D14MZ520

9 GPM - 1:20 - 1:4
 2 m³/h - 5 - 25%
 7 - 57 psi
 0.5 - 4 bar

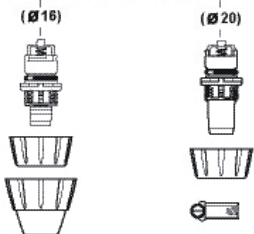


9 GPM - 1:20 - 1:4
 2 m³/h - 5 - 25%
 7 - 57 psi
 0.5 - 4 bar

CDD078 (Ø 16)
 CDD078V (Ø 20)

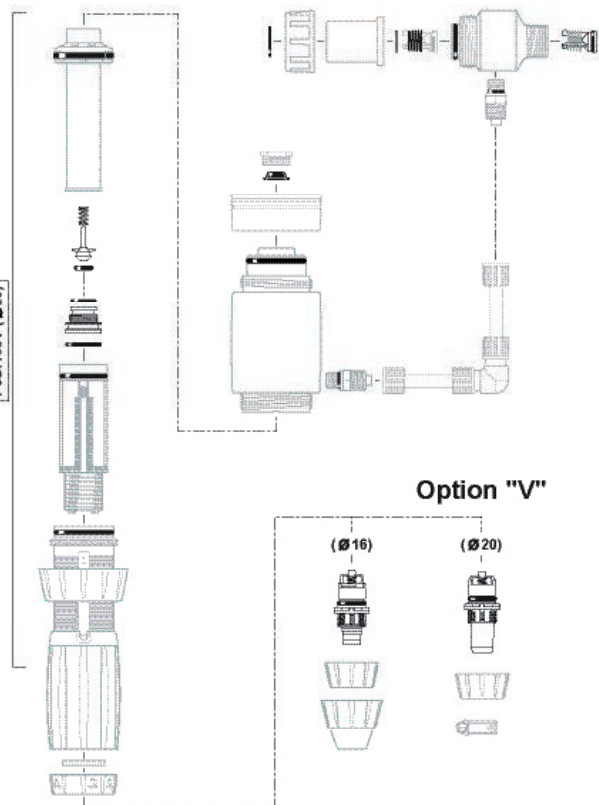


Option "V"

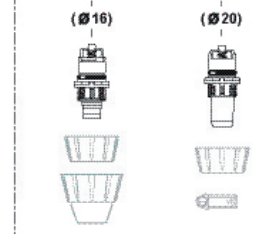


9 GPM - 1:20 - 1:4
 2 m³/h - 5 - 25%
 7 - 57 psi
 0.5 - 4 bar

PJD135 (Ø 16)
 PJD135V (Ø 20)



Option "V"



NOTES

.....

.....

.....

.....

.....

.....

.....

.....

.....

.....

.....

.....

.....

.....

.....

.....

.....

.....

.....

.....

.....

.....

.....

Ce document ne constitue pas un engagement contractuel et n'est fourni qu'à titre indicatif. La Société DOSATRON INTERNATIONAL se réserve le droit de modifier ses appareils à tout moment.

This document does not form a contractual engagement on the part of DOSATRON INTERNATIONAL and is for information only. The company DOSATRON INTERNATIONAL reserves the right to alter product specification or appearance without prior notice.

Dieses Dokument ist kein bindender Vertragsbestandteil und dient nur zu Informationszwecken. Das Unternehmen DOSATRON INTERNATIONAL behält sich das Recht vor, seine Geräte jederzeit zu verändern.

Questo documento non costituisce un documento contrattuale e viene fornito soltanto a titolo indicativo. La società DOSATRON INTERNATIONAL si riserva il diritto di modificare i propri apparecchi in qualsiasi momento.

Este documento no constituye un compromiso contractual y se suministra solamente a título orientativo. La sociedad DOSATRON INTERNATIONAL se reserva el derecho de modificar sus aparatos en cualquier momento.

Dit document vormt geen contractuele verbintenis en wordt enkel ter informatie gegeven. DOSATRON INTERNATIONAL behoudt zich het recht voor zijn toestellen op elk ogenblik zonder voorafgaande informatie te wijzigen.

CE Conformity Statement
Document N° DOCE06050103
This Dosatron is in compliance with the European Directive 98/37/CEE. This declaration is only valid for countries of the European Community (CE).



DOSATRON®

WATER POWERED DOSING TECHNOLOGY



MANUFACTURED BY
FABRICADO POR
FABRIQUÉ PAR

DOSATRON INTERNATIONAL S.A.S.

Rue Pascal - B.P. 6 - 33370 TRESSES (BORDEAUX) - FRANCE
Tel. 33 (0)5 57 97 11 11
Fax. 33 (0)5 57 97 11 29 / 33 (0)5 57 97 10 85
e.mail : info@dosatron.com - <http://www.dosatron.com>
© DOSATRON INTERNATIONAL S.A.S 2009