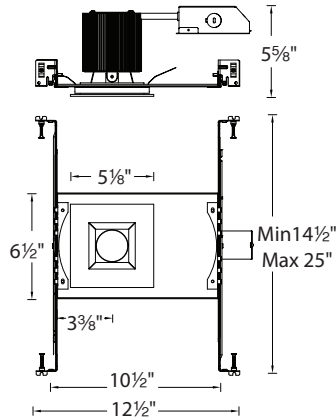
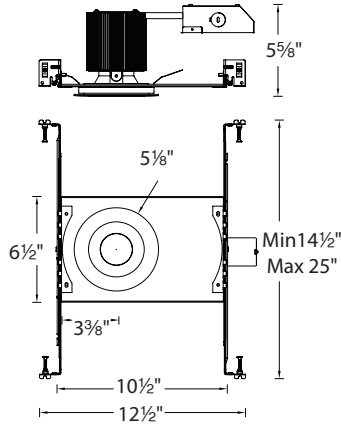


SUMMIT 2.0 3.5" AC-LED HR3S

120V - Non-IC-Rated, Airtight

WAC LIGHTING

Responsible Lighting®



Fixture Type:

Catalog Number:

Project:

Location:

SPECIFICATIONS

Comparable: 50W MR16

Input: 120VAC 50/60HZ

Rated Life: Reported Life > 36,000 hrs*
 Calculated Life = 50,000 hours*
 *Based on IES TM21 Report

Construction: Die-cast trim Painted White.
 Frame and hanger bars are heavy gauge galvanized steel.

J-Box: Two knockouts. Rated for through branch wiring.
 Wire connectors provides for ease of installation.

Driver: Uses AC-LED, no driver needed

Mounting: Supplied with hanger bars, adjustable from 1 1/2"-25"
 to accommodate various joist construction and grid sizes. Hanger
 bars include a captive mounting "screw-nail" for ease of installation.
 Accommodates surfaces from 1/2"- 3/4" thick.
 4 5/8" cutout hole.

Dimming: 100%-10% ELV Dimming

Compatible Dimmer: Lutron: *DVELV-300P, SELV-300P, RRD-6NA*

Rating: Non-IC-Rated: Insulation must be kept at least 3" away from
 the housing

Standards: Energy Star®, ETL & cETL Listed for Wet Locations.

PRODUCT DESCRIPTION

3.5" AC-LED integral trim and frame kit

FEATURES

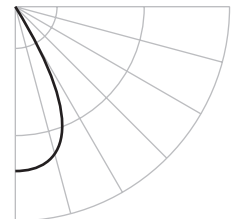
The one solution for your house

- One product for both new construction and remodel
- Energy Star®
- Title 24 Compliant
- Frosted lens for glare control and optimal light distribution
- Integral housing and Trim
- Driver-free, 120V line voltage input
- Ceiling thickness: 1/2" - 3/4"

ORDER NUMBER

Model #	Power	Beam Angle	Color Temp	CRI	Lumen	Note
HR3S-R30F-WT Round Non-IC, Airtight Remodel and New Construction	14.5W	45°	3000K	90	910	Insulation must be kept at least 3" away from the housing
HR3S-S30F-WT Square Non-IC, Airtight Remodel and New Construction	14.5W	45°	3000K	90	895	Insulation must be kept at least 3" away from the housing

PHOTOMETRY



HR3S-__30F-WT