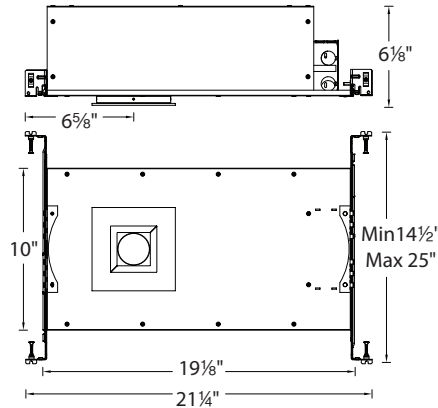
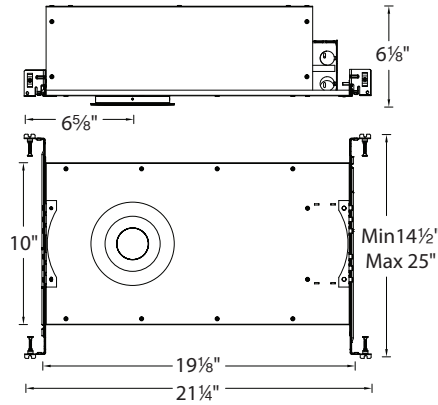


SUMMIT 2.0 3.5" AC-LED HR3S-IC

120V - IC-Rated, Airtight

WAC LIGHTING
Responsible Lighting®



SPECIFICATIONS

Comparable: 50W MR16

Input: 120VAC 50/60HZ

Rated Life: Reported Life > 36,000 hrs*
Calculated Life = 50,000 hrs*
**Based on IES Tm21 Report*

Construction: Die-cast trim Painted White.
Frame and hanger bars are heavy gauge galvanized steel.

J-Box: Seven knockouts. Rated for through branch wiring.
Wire connectors provides for ease of installation.

Driver: Uses AC-LED, no driver needed

Mounting: Supplied with hanger bars, adjustable from 14½"-25"
to accommodate various joist construction and grid sizes. Hanger
bars include a captive mounting "screw-nail" for ease of installation.
Accommodates surfaces from 1/2"- 3/4" thick.
4 5/8" cutout hole.

Dimming: 100%-10% ELV Dimming

Compatible Dimmer: DVELV-300P, SELV-300P, RRD-6NA

Rating: IC-Rated

Standards: Energy Star®, ETL & cETL Listed for Wet Locations.

PRODUCT DESCRIPTION

3.5" AC-LED integral trim and housing

FEATURES

- Energy Star®
- Title 24 Compliant
- Wet Location Listed
- Frosted lens for glare control and optimal light distribution
- Includes housing and Trim
- Driver-free, 120V line voltage input
- Ceiling thickness: ½" - ¾"

ORDER NUMBER

| Model # | Power | Beam Angle | Color Temp | CRI | Lumen |
|---|-------|------------|------------|-----|-------|
| HR3S-ICR30F-WT Round IC-Rated, Airtight New Construction | 14.5W | 45° | 3000K | 90 | 910 |
| HR3S-ICS30F-WT Square IC-Rated, Airtight New Construction | 14.5W | 45° | 3000K | 90 | 895 |

HR3S-IC__30F-WT

PHOTOMETRY

