

INSTALLATION INSTRUCTION

3" SUMMIT™ 2.0 New Construction Housing

HR3S-ICR30F-WT/HR3S-ICS30F-WT

WAC LIGHTING

Responsible Lighting®

SAFETY INSTRUCTION

IMPORTANT: NEVER attempt any work without shutting off the electricity.

- Read all instructions before installing.
- System is intended for installation by a qualified electrician in accordance with the National Electrical Code and local regulations.
- Go to the main fuse box, or circuit breaker. Place the main power switch in the "OFF" position and unscrew the fuse(s) or switch "OFF" the circuit breaker switch(es) that control the power to the fixture or room that you are working on.
- Place the wall switch in the "OFF" position.

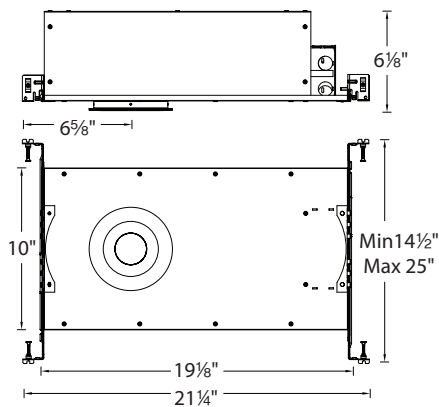
AVERTISSEMENT

IMPORTANT : Coupez l'électricité avant TOUTE manipulation.

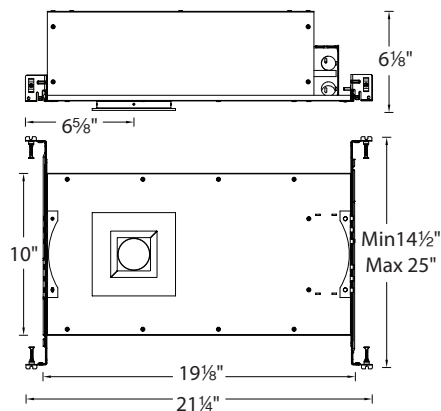
- Lisez toutes les instructions avant d'installer.
- Système est destiné à être installé par un électricien qualifié en conformité avec le code national de l'électricité et les règlements locaux.
- Accédez au panneau central de disjoncteurs ou de fusibles de votre demeure et placez l'interrupteur principal en position d'arrêt (« OFF »).
- Placez l'interrupteur mural en position d'arrêt (« OFF »).

OVERVIEW

Housing is new construction IC, AIRTIGHT. Housing requires a trim for finished look. Check catalog and specification sheet for compatible trims choices. May be used with electronic low voltage dimmer.



Round Trim



Square Trim

INSTALLATION INSTRUCTION

3" SUMMIT™ 2.0 New Construction Housing

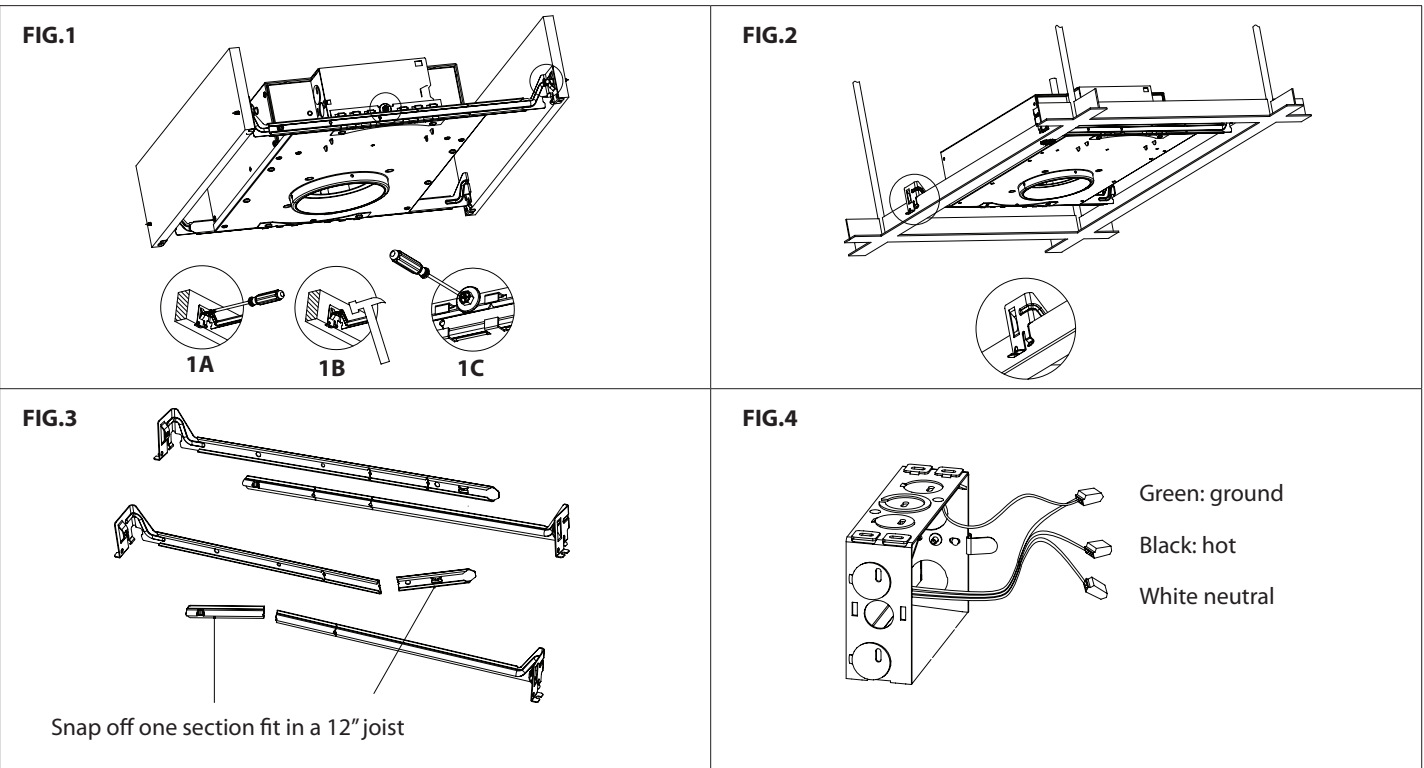
HR3S-ICR30F-WT/HR3S-ICS30F-WT

WAC LIGHTING

Responsible Lighting®

HOUSING INSTALLATION

1. Install housing using two hanger bars provided, align the bottom of the hanger bar with the bottom of the wood joist, secure the "screw-nail" on each end by screw-driver (Fig.1 A) or by hammer(Fig.1 B). Slide fixture along hanger bar into desired location, use locking screws to secure (Fig.1 C). For grid installation, hanger bars are supported on grids. (See **FIG.2**)
2. To shorten hanger bars to fit in a 12" joist, snap off one section of the hanger bars (See **FIG.3**).
3. Remove spring latched junction box cover and connect fixture wires to building wires: insert each supply wire into appropriate junction box connector. Connect black fixture wire to hot, white fixture wire to neutral and green fixture wire to ground (See **FIG.4**).



4. Place all wiring and connectors back in wiring box and replace junction box door.
5. When installing in drywall, cut a hole 4 5/8" in the drywall. Note: 1/2" - 3/4" ceiling thickness.
6. Raise trim to ceiling, connect power quick connector and secure safety cable to top of trim using screw provided.(as **Fig.5**)
7. Push the trim assembly up into the housing until the trim ring is flush to the ceiling (as **Fig.6** and **Fig.7**).

