

INSTALLATION INSTRUCTION

104 Line Voltage LED Track Luminaires

HTK-104LED, LTK-104LED, JTK-104LED

WAC LIGHTING
Responsible Lighting®

CAUTION:

Read all instructions before installing.
Switch off power before installing or re-lamping.
Do not attempt to energize anything other than a track light fixture.
All installation shall be in accordance with NEC and all local codes.

OVERVIEW:

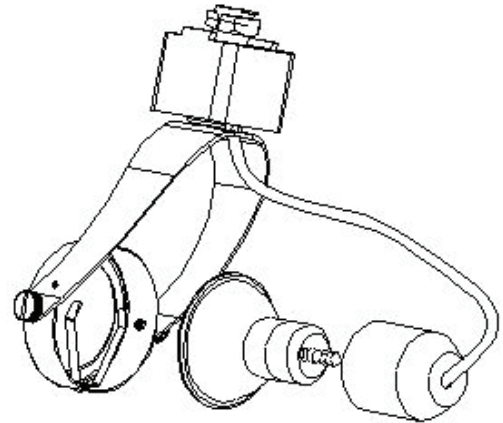
Fixtures are designed for use on WAC "L", "H", "J" series track.
They may also be used on other manufacturer's brand of track
(consult factory for compatibility).

LAMPING:

1. Fixture is supplied with dimmable GU10 LED lamp, 6.8W (included)
Lamp comes pre-installed in fixture.
2. Insert lamp into the shade so the lamp pins protrude through
the back.
3. Place pins in the socket holes and twist 1/4" to the right.
The lamp should feel firmly seated.
4. Seat the lamp under the "V" spring of the gimbal ring.

FIXTURE INSTALLATION

1. Note the track has a groove running it's length to indicate polarity.
2. Note the arrow on the locking tab.
3. Insert adapter into track slot and rotate it 90°. The arrow should
point to the grooved side of the track.
4. Make sure the locking tab seats in the track slot.
5. Removal is the reverse procedure. Track heads may be positioned
anywhere along the track length.



Push lamp into socket, then twist.
Seat lamp under the "V" spring

