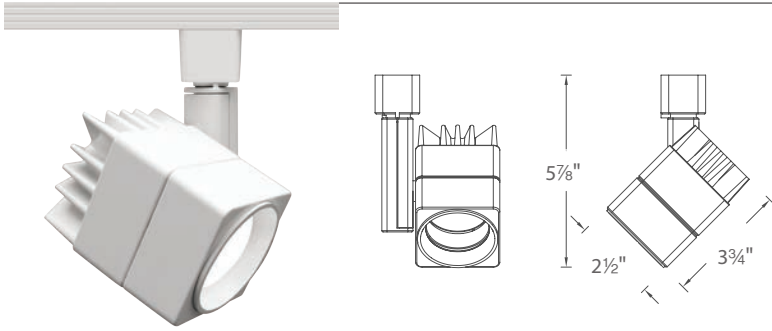


Model: H/L/J-LED207

AC LED Track Luminaire

WAC LIGHTING

Responsible Lighting®



PRODUCT DESCRIPTION

LED207 track luminaire offers driverless AC LED technology and easy change of beam angles in field. Superior light output in a small, unobtrusive design. The high output LEDs outperform halogen 50W MR16. Developed for upscale residential and commercial environments.

FEATURES

- Driverless AC LED technology
- Compact integrated design
- Easy change of beam angles in field
- Outperforms halogen 50W MR16
- Consistent high quality beam pattern
- Accommodates 1 lens accessory
- 360° horizontal and 90° vertical aiming
- 50,000 hour rated life
- 5 year WAC Lighting product warranty

SPECIFICATIONS

Construction: Die-cast aluminum with removable PC lens cap for easy change of lenses or accessories

Finish: Black (BK) and White (WT) powder coat paint.

Driver: Input voltage: 120VAC 50/60Hz.

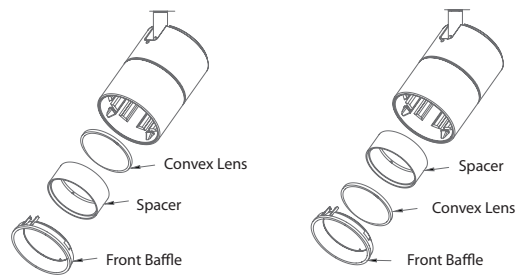
Light Source: High Voltage AC LED module.

Dimming: Dims to 10%-100% with electronic low voltage (ELV) dimmer. Compatible with LUTRON SELV-300P, DVELV-300P

Standards: ETL & cETL Listed.

BEAMSHIFT™ TECHNOLOGY

LED207 track luminaires come with BeamShift™, allowing in-field change of beam angle simply by changing the location of the lens with a simple flat-head screwdriver.



Flood 40° Configuration
Convex Lens located behind the spacer

Spot 25° Configuration
Convex Lens located in front of the spacer.

ORDER NUMBER

Track System	Model	Finish	Voltage	Color Temp	Power	CRI	Beam	Lumens	Efficacy		
H L J	H Track L Track J/J2 Track	LED207-30	BK WT	Black White	120V	3000K	15W	85	25°	540	35.3 Lm/W
									40°	660	43.7 Lm/W

FINISHES



□ - **LED207-30** - □

Example: H-LED207-30-WT

LENSES & ACCESSORIES

Model	Color
LENS-16	Color Lens
	AMB Amber
	BLU Blue
	GRN Green
	RED Red
	YEL Yellow

Model: H/L/J-LED207

AC LED Track Luminaire

WAC LIGHTING

Responsible Lighting®

APPLICATION PERFORMANCE – 3000K



0° Aiming Angle (ceiling to floor)

LED207-30
25° beam

Distance	FC	L	W
4 ft	79	1.8	1.8
6 ft	35	2.7	2.7
8 ft	20	3.5	3.5
10 ft	13	4.4	4.4

LED207-30
40° beam

FC	L	W
64	2.9	2.9
28	4.4	4.4
16	5.8	5.8
10	7.3	7.3



45° Aiming Angle (ceiling to wall)

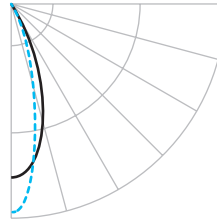
LED207-30
25° beam

Distance	FC	L	W
4 ft	28	3.7	2.5
6 ft	12	5.6	3.8
8 ft	7	7.5	5.0
10 ft	4	9.3	6.3

LED207-30
40° beam

FC	L	W
23	6.7	4.1
10	10.1	6.2
6	13.4	8.2
4	16.8	10.3

PHOTOMETRY



— 40°
- - - 25°