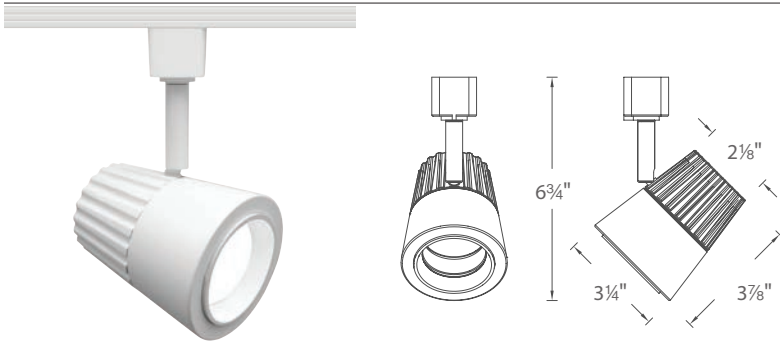


# Model: H/L/J-LED201

## AC LED Track Luminaire

# WAC LIGHTING

Responsible Lighting®



### PRODUCT DESCRIPTION

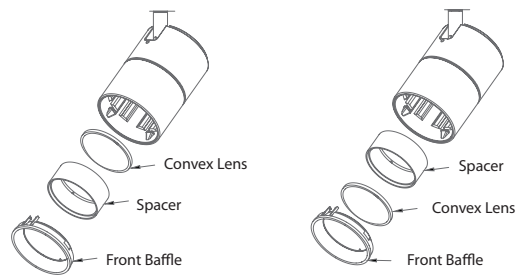
LED201 track luminaire offers driverless AC LED technology and easy change of beam angles in field. Superior light output in a small, unobtrusive design. The high output LEDs outperform halogen 50W MR16. Developed for upscale residential and commercial environments.

### FEATURES

- Driverless AC LED technology
- Compact integrated design
- Easy change of beam angles in field
- Outperforms halogen 50W MR16
- Consistent high quality beam pattern
- Accommodates 1 lens accessory
- 360° horizontal and 90° vertical aiming
- 50,000 hour rated life
- 5 year WAC Lighting product warranty

### BEAMSHIFT™ TECHNOLOGY

LED201 track luminaires come with BeamShift™, allowing in-field change of beam angle simply by changing the location of the lens with a simple flat-head screwdriver.



Flood 40° Configuration  
Convex Lens located behind the spacer

Spot 25° Configuration  
Convex Lens located in front of the spacer.

### SPECIFICATIONS

**Construction:** Die-cast aluminum with removable PC lens cap for easy change of lenses or accessories

**Finish:** Black (BK) and White (WT) powder coat paint.

**Driver:** Input voltage: 120VAC 50/60Hz.

**Light Source:** High Voltage AC LED module.

**Dimming:** Dims to 10%-100% with electronic low voltage (ELV) dimmer. Compatible with LUTRON SELV-300P, DVELV-300P

**Standards:** ETL & cETL Listed. Energy Star Rated.

### ORDER NUMBER

Track System	Model	Finish	Voltage	Color Temp	Power	CRI	Beam	Lumens	Efficacy	
H L J	H Track L Track J/J2 Track	<b>LED201-30</b>	<b>BK</b> Black <b>WT</b> White	120V	3000K	15W	85	25°	540	35.7 Lm/W
							40°	660	44 Lm/W	

### FINISHES



□ - **LED201-30** - □

Example: L-LED201-30-WT

### LENSES & ACCESSORIES

Model	Color
<b>LENS-16</b> Color Lens	<b>AMB</b> Amber
	<b>BLU</b> Blue
	<b>GRN</b> Green
	<b>RED</b> Red
	<b>YEL</b> Yellow

# Model: H/L/J-LED201

## AC LED Track Luminaire

# WAC LIGHTING

Responsible Lighting®

### APPLICATION PERFORMANCE – 3000K



0° Aiming Angle (ceiling to floor)

#### LED201-30 25° beam

Distance	FC	L	W
4 ft	79	1.8	1.8
6 ft	35	2.7	2.7
8 ft	20	3.5	3.5
10 ft	13	4.4	4.4

#### LED201-30 40° beam

FC	L	W
64	2.9	2.9
29	4.4	4.4
16	5.8	5.8
10	7.3	7.3



45° Aiming Angle (ceiling to wall)

#### LED201-30 25° beam

Distance	FC	L	W
4 ft	28	3.7	2.5
6 ft	12	5.6	3.8
8 ft	7	7.5	5.0
10 ft	4	9.3	6.3

#### LED201-30 40° beam

FC	L	W
23	6.7	4.1
10	10.1	6.2
6	13.4	8.2
4	16.8	10.3

### PHOTOMETRY

