

# INSTALLATION INSTRUCTION

## LEDme® Light Bars

BA-LED

# WAC LIGHTING

Responsible Lighting®

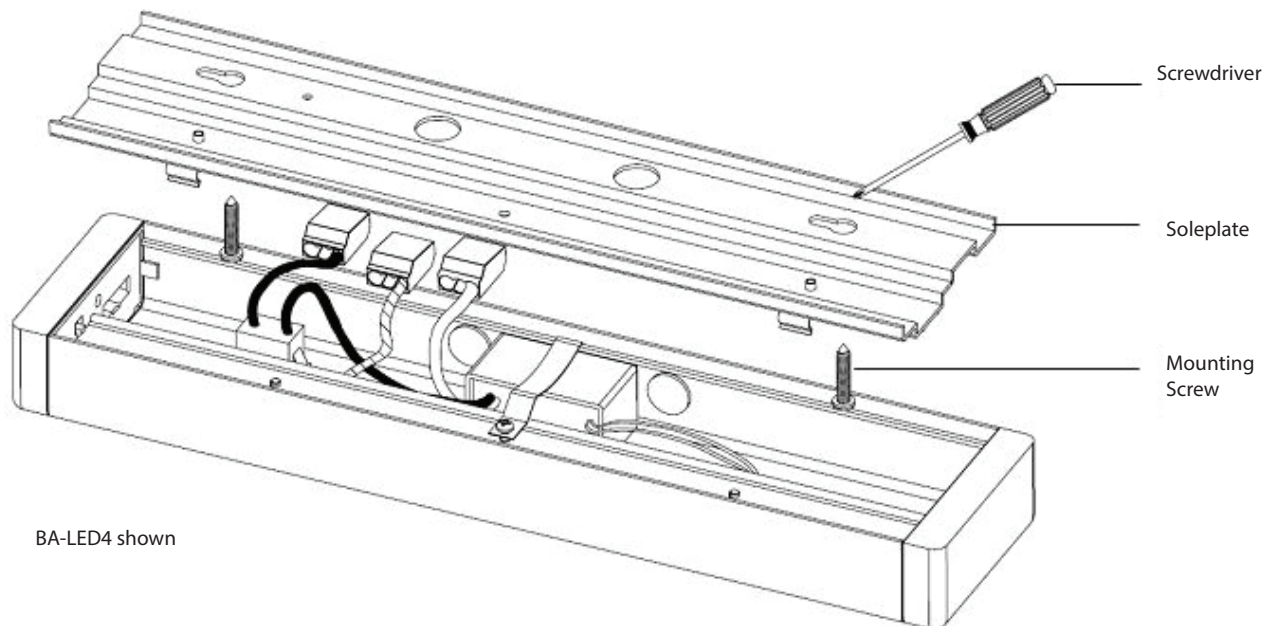
### SAFETY INSTRUCTION

IMPORTANT: NEVER attempt any work without shutting off the electricity.

- Read all instructions before installing.
- Always turn off power at fuse box prior to installation to prevent electrical shock.
- For display wall or under cabinet only. Not intended for ceiling use.
- For installation by a qualified electrician.
- System is intended for installation in accordance with National Electric Code, and local regulations.
- Consult with local inspector to assure compliance.
- Keep away from combustible materials such as plastic or paper products.
- Do not touch cover when light is on. Do not operate with missing or damaged lens.
- All wires must be contained.

### WIRING AND INSTALLATION

1. Remove the soleplate with the screw driver.
2. Open a convenient knock out hole in the body of the fixture, and install the Romex® /BX connector supplied with the fixture. Allow approx 1 ½" of wire to enter the fixture body.
3. Locate the individual black, white and yellow/green wires with "poke home" connectors on the ends. Trim ¼" of insulation from the building wires and connect by pushing into one of the available holes in the connector.
4. Join the black hard wire to black fixture wire.
5. Join the white hard wire to white fixture wire.
6. Connect green ground wire (may be bare copper) to green fixture wire.
7. Tuck wires connections neatly between the wiring partition.
8. On 4, 6, 8, and 10 light models, a second knock out is provided to allow branch wiring to another fixture, and "poke home" connectors have an available hole for this purpose.
9. Position the soleplate on the surface and mark the key holes positions. Plastic anchors or mounting screws may be used directly into a wood surface. Screws are drilled in from the soleplate key holes provided (see diagram).
10. Push the fixture back onto the soleplate.



BA-LED4 shown

## INSTALLATION INSTRUCTION

### LEDme® Light Bars

BA-LED

# WAC LIGHTING

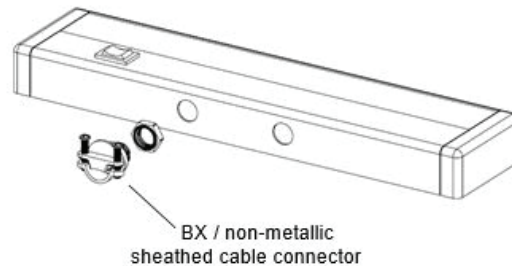
Responsible Lighting®

#### WIRING OF MULTIPLE UNITS

In addition to hard wiring multiple fixtures, components are provided to allow fixtures to be joined through surface wiring.

**Note: The number of fixtures, connected with I-connectors and interconnect cables, should not exceed 4 pieces.**

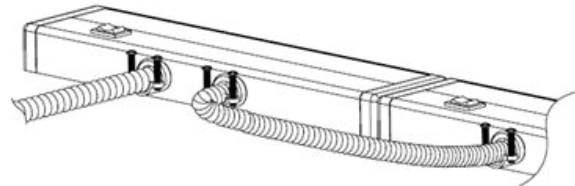
**Wiring more than 4 fixtures together requires thicker gauge wires through the BX cable connector.**



#### END TO END

Use conduit with hard wiring to chain two or more fixtures..

2. Secure position by mounting fixtures to the surface.
3. Use wiring box (MEB) for chaining BA-LED2



#### WIRING BOX INSTALLATION

1. Remove the wiring box cover.
2. Position the wiring box onto the surface with mounting screws.
3. Connect hard wires with wire nuts to chain the fixtures and put the wire nuts inside the wiring box.
4. Use conduit to connect wiring box and fixtures.

