



# LED EP16-2050w

Part #: EBP16DM/B/6W/400/38D/50K/GU10/W    Bulb Class: PAR16



## Product Description

**LED EP16-2050w** delivers superior brightness, valuable energy savings, long lasting performance and true color perception. This flood PAR16 LED bulb is ideal for accent lighting due to its focal \*cool white light (5000K) replacing conventional 50 Watt incandescent bulbs. Built-in MCOB LED Technology offers exceptional light uniformity, energy efficiency, and optimal heat dissipation guaranteeing durability and constant bulb performance. Enjoy features such as: instant on, dimming options, shatter resistance, mercury free and 90+ CRI.



**Estimated Energy Cost:** \$0.72 per year

\*Note: Design, features and specifications subject to change without notice. Some features may not be available on all models.



**MCOB**  
LED TECHNOLOGY

**50W**  
REPLACEMENT

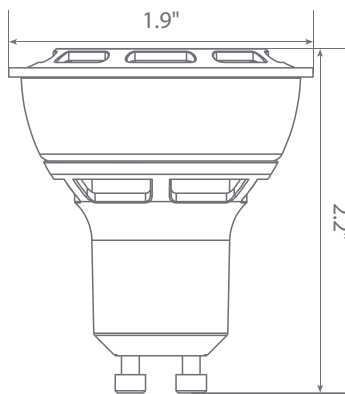
## Specifications

Input Power	Input Voltage	Lumen Output	Beam Angle	Center Beam	CCT
6 W	120 V	400 lm	38°	632 cd	5000 K
CRI	Luminous Efficacy	Power Factor	Input Current	Base/Cap	Lamp Lifespan
91	66 lm/W	0.9	0.05 A	GU10	25,000 Hrs.

### Product Features

- Dimmable
- Instant-On/Off
- Mercury Free
- Energy Efficient

### Product Dimensions



### Product Photometric Data

