



LED EP16-2020w

Part #: EBP16DM/B/6W/400/38D/27K/GU10/W Bulb Class: PAR16



Product Description

LED EP16-2020w delivers superior brightness, valuable energy savings, long lasting performance and true color perception. This flood PAR16 LED bulb is ideal for accent lighting due to its focal *warm white light (2700K) replacing conventional 50 Watt incandescent bulbs. Built-in MCOB LED Technology offers exceptional light uniformity, energy efficiency, and optimal heat dissipation guaranteeing durability and constant bulb performance. Enjoy features such as: instant on, dimming options, shatter resistance, mercury free and 90+ CRI.



Estimated Energy Cost: \$0.72 per year



MCOB
LED TECHNOLOGY

50W
REPLACEMENT

*Note: Design, features and specifications subject to change without notice. Some features may not be available on all models.

Specifications

Input Power	Input Voltage	Lumen Output	Beam Angle	Center Beam	CCT
6 W	120 V	400 lm	38°	632 cd	2700 K
CRI	Luminous Efficacy	Power Factor	Input Current	Base/Cap	Lamp Lifespan
91	66 lm/W	0.9	0.05 A	GU10	25,000 Hrs.

Product Features



Dimmable



Instant-On/Off

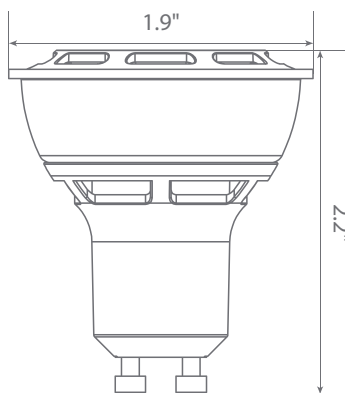


Mercury Free



Energy Efficient

Product Dimensions



Product Photometric Data

