

PAR36 SERIES

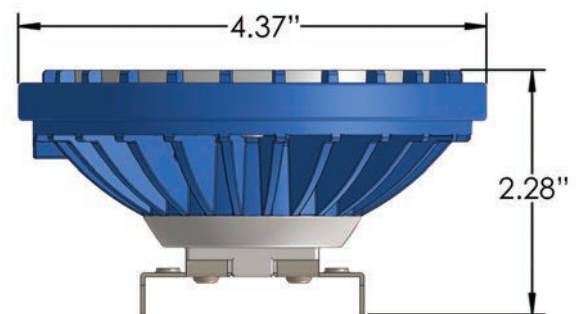
(6W; Replaces 20-Watt Halogen)
 (9W; Replaces 35-Watt Halogen)
 (12W; Replaces 50-Watt Halogen)

Description:

The PAR36 LED lamp has been re-designed to better fit into standard, low voltage, PAR36 fixtures. These LED's are **thermally engineered to operate in enclosed fixtures**, and they also feature our own enhanced **ESD (Electro-Static Discharge) Protection (IEC-61000-4-2)**, as well as our own built-in **Heat Overload Protection Technology** - which gives you added security by automatically cooling down (and reducing lumens output) only when exposed to extreme heat (air temperatures above 125°F). Best of all, there is no color shift when lumens output is reduced, and overall lamp life is improved. When extreme temperatures drop below 125°F, full lumens output will automatically resume.

Specifications/Features:

- Enhanced ESD (Electro-Static Discharge) Protection (IEC-61000-4-2)
- Built-In Heat Overload Protection Technology
- UL Listed & FCC Compliant
- Available in 2200, 2700, 3000, & 5700 Kelvin Temperatures, as well as Red, Green, Blue, & Amber
- Available In 15°, 30°, & 60° Beam Angles
- Available In 6 Watts, 9 Watts, & 12 Watts
- 8-25VAC
- IP68
- Maximum Current - 6W: 1.0A; 9W: 1.5A; 12W: 2.0A
- CRI: 85
- CREE Chipset
- 50,000 hours lamp life
- Fully potted PC board
- Patent Pending



Lumens Output		
	2700K	5700K
6W	380lm	460lm
9W	550lm	720lm
12W	620lm	920lm

PART NUMBER: PAR36 XX XXXX XX

6 9 12	WATTAGE	15 = 15 degree 30 = 30 degree 60 = 60 degree BEAMSPREAD
2200 2700 3000 5700	KELVIN TEMPERATURE	
RED = Red GREEN = Green BLUE = Blue AMBER = Amber	COLOR	