

MR-16 SERIES

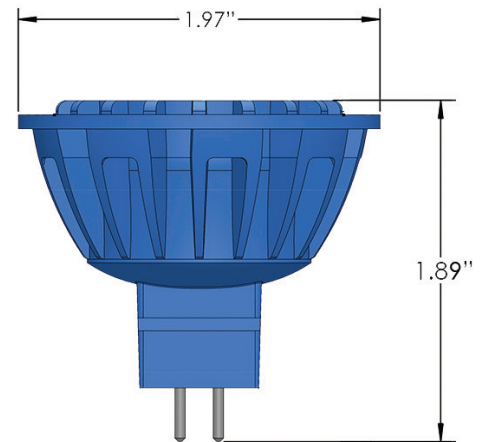
(4W; Replaces 20-Watt Halogen)
 (5W; Replaces 35-Watt Halogen)
 (7W; Replaces 50-Watt Halogen)

Description:

The MR-16 LED lamp has been re-designed to better fit into standard, low voltage, fixtures. These LED's are **thermally engineered to operate in enclosed fixtures**, and they also feature our own enhanced **ESD (Electro-Static Discharge) Protection (IEC-61000-4-2)**, as well as our own built-in **Heat Overload Protection Technology** - which gives you added security by automatically cooling down (and reducing lumens output) only when exposed to extreme heat (air temperatures above 125°F). Best of all, there is no color shift when lumens output is reduced, and overall lamp life is improved. When extreme temperatures drop below 125°F, full lumens output will automatically resume.

Specifications/Features:

- Enhanced ESD (Electro-Static Discharge) Protection (IEC-61000-4-2)
- Built-In Heat Overload Protection Technology
- UL Listed & FCC Compliant
- Available in 2200, 2700, 3000, & 5700 Kelvin Temperatures, as well as Red, Green, Blue, & Amber (Colors available in 4-Watt & 5-Watt only)
- Available in 15°, 30°, & 60° Beam Angles
- Available in 4 Watts, 5 Watts, & 7 Watts
- 8-25VAC
- IP61
- Maximum Current - 4W: 0.6A; 5W: 0.8A; 7W: 1.2A
- CRI: 85
- CREE Chipset
- 50,000 Hours Lamp Life
- Fully Potted PC Board
- Patent Pending



Lumens Output		
	2700K	5700K
4W	230lm	320lm
5W	320lm	420lm
7W	420lm	560lm

PART NUMBER: MR16 XX XXXX XX

4 5 7	WATTAGE	BEAMSPREAD 15 = 15 degree 30 = 30 degree 60 = 60 degree
2200 2700 3000 5700	KELVIN TEMPERATURE	
RED = Red GREEN = Green BLUE = Blue AMBER = Amber	COLOR	