

LED-8081E 30W LED for HID Retrofit for Recessed or Pendant

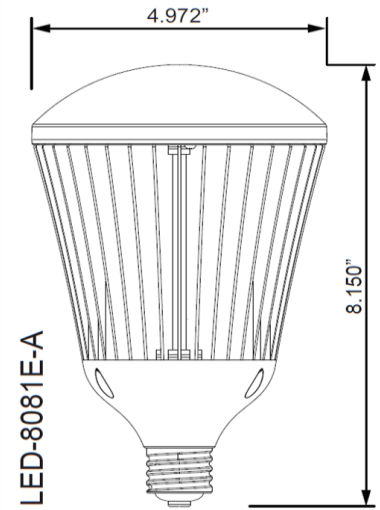


Models

LED-8081EXX, 120-277VAC, cULus, 2700K, 4000K or 5700K CCT, E26

Features

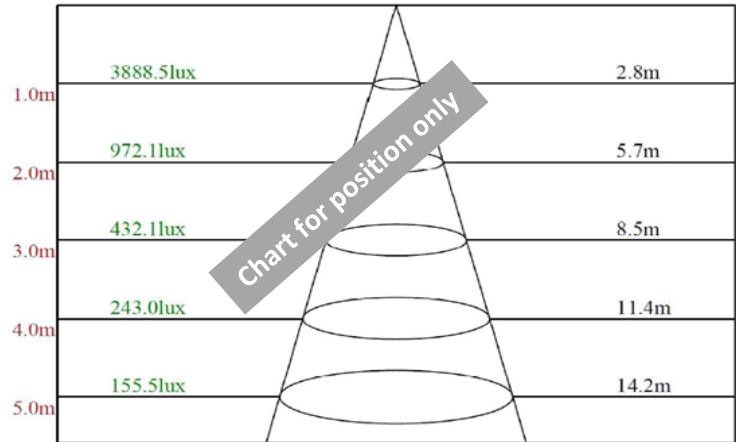
- > 30W LED Replaces 100W MH or HPS HID Lamps
- > Meanwell Driver LPF-40D-48 included
- > IP64 Lamp and IP67 Remote/External Driver
- > 0-10V, PWM, or Resistive dimming when used with lighting controls
- > UL approved for wet environments
- > 50,000 hour rated LED life (supported by LM80 and ISTMT reports (see website))
- > 5 Year Limited Warranty - see website for details



Technical Specifications

Models US/CAN	LED-8081E27	LED-8081E40	LED-8081E57
CCT	2700K	4000K	5700K
Power Consumption	30 watts		
Replaces	100 MH/HPS		
Mounting	E26		
Voltage	120-277VAC (USA & CAN)		
LED Type	HongLi 2835		
Beam Angle	120°		
Dimmable	Yes		
Operating Temp	-40°F - +122°F		
Rated R70 Life	Up to 50,000 Hrs.		
Warranty	5 Year Limited*		
LM79 Specifications	No	No	No
Power (W)	30	30	30
CCT	2700	4000	5700
Light Output	3300	3300	3300
Efficacy	110	110	110
THD @ 277V	<20%	<20%	<20%
PF @ 277V	>90	>90	>90
CRI:	>80	>80	>80
R9	n/a	n/a	n/a
Duv	n/a	n/a	n/a
Packaging	6/ Master Carton		
Unit	8.5"x 6.7"x 10.3" X.X lbs.		
Master	20.8"x 17.5" x 11" XX.X lbs.		

Lux Distance Curve



Beam angle of C90plane109.74

LED Power Consumption (Watts)	HID Power Consumption (Watts)	HID Ballast Power Consumption (Watts)	Total Savings (Watts)	Annual Energy Savings (14 hrs/day)	Lifetime Energy Savings (over 50,000 hrs)
30	100	20	90	\$51	\$495.00

Mounting Orientation		
Base Up	Base Down	Horiz
Approved	Approved	Approved

