

LED-8083E 30W LED for HID Retrofit for Post Top / Wall Pack

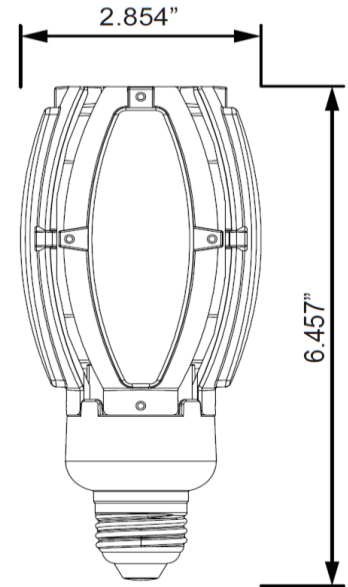


Models

LED-8083EXX, 120-277VAC, cULus, 3000K, 4000K or 5700K CCT, E26

Features

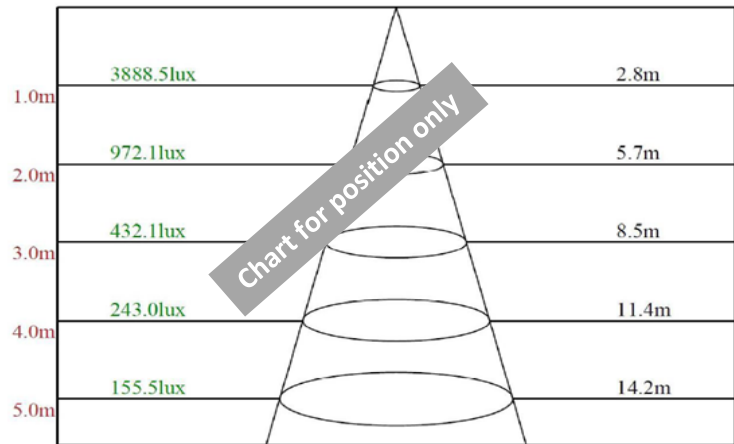
- > 30W LED Replaces 100W MH or HPS HID Lamps
- > Meanwell Driver LPF-40D-48 included
- > IP64 Lamp and IP67 Remote/External Driver
- > 0-10V, PWM, or Resistive dimming when used with lighting controls
- > UL approved for wet environments
- > 50,000 hour rated LED life (supported by LM80 and ISTMT reports (see website))
- > 5 Year Limited Warranty - see website for details



Technical Specifications

Models US/CAN	LED-8083E30	LED-8083E40	LED-8083E57
CCT	3000K	4000K	5700K
Power Consumption	30 watts		
Replaces	100 MH/HPS		
Mounting	E26		
Voltage	120-277VAC (USA & CAN)		
LED Type	2835		
Beam Angle	360°		
Dimmable	Yes		
Operating Temp	-40°F - +122°F		
Rated R70 Life	Up to 50,000 Hrs.		
Warranty	5 Year Limited*		
LM79 Specifications	No	No	No
Power (W)	30	30	30
CCT	2700	4000	5700
Light Output	3300	3300	3300
Efficacy	110	110	110
THD @ 277V	<20%	<20%	<20%
PF @ 277V	>90	>90	>90
CRI:	>80	>80	>80
R9	n/a	n/a	n/a
Duv	n/a	n/a	n/a
Packaging	9/ Master Carton		
Unit	6"x 4.4"x 9.8" X.X lbs.		
Master	18.7"x 14" x 10.4" XX.X lbs.		

Lux Distance Curve



Beam angle of C90plane109.74

LED Power Consumption (Watts)	HID Power Consumption (Watts)	HID Ballast Power Consumption (Watts)	Total Savings (Watts)	Annual Energy Savings (14 hrs/day)	Lifetime Energy Savings (over 50,000 hrs)
30	100	20	90	\$51	\$495.00

Mounting Orientation			Minimum Fixture Size Requirements (inches)	
Base Up	Base Down	Horiz	Length	Width
			8.4	4.8
Approved	Approved	Approved	Height	4.8
			Cu. Inches	193.5