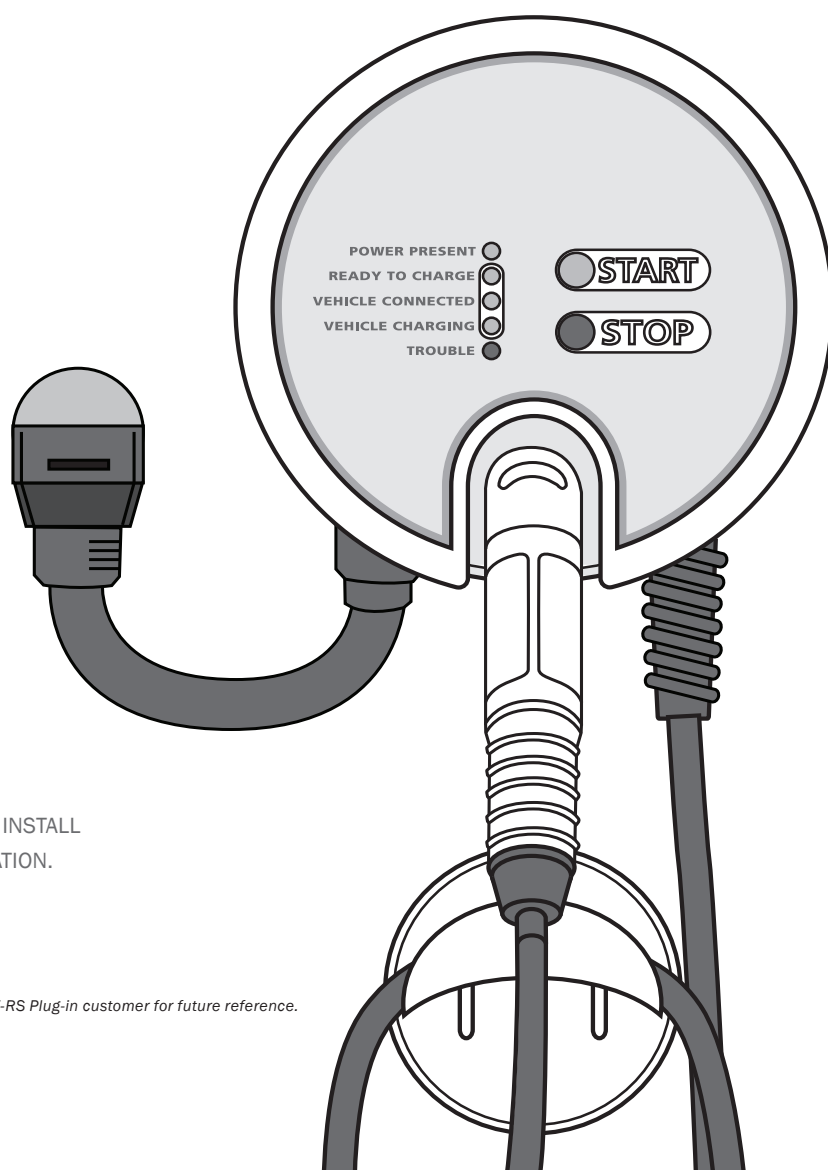


INSTALLATION GUIDE

EVSE-RS Plug-in Charging Station



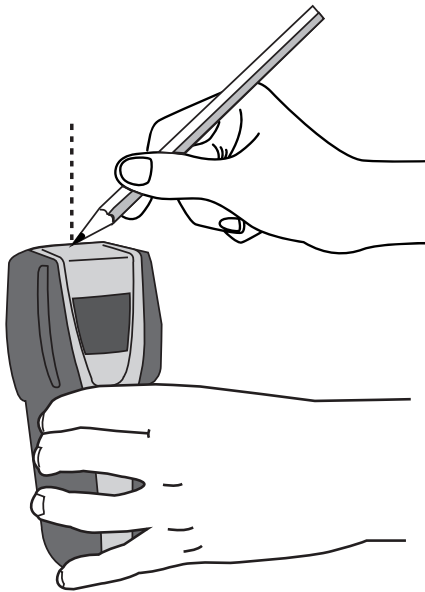
IT IS RECOMMEND THAT A LICENSED ELECTRICIAN INSTALL THE ELECTRICAL SERVICE AND THE CHARGING STATION.

Model Plug-in EVSE-RS not for outdoor installation

NOTICE TO ELECTRICIAN: Leave this Installation Guide with the EVSE-RS Plug-in customer for future reference.

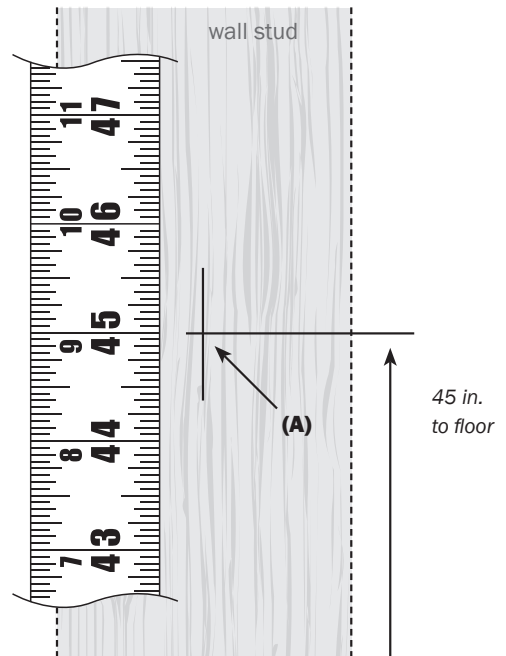
INSTALLATION STEPS

1



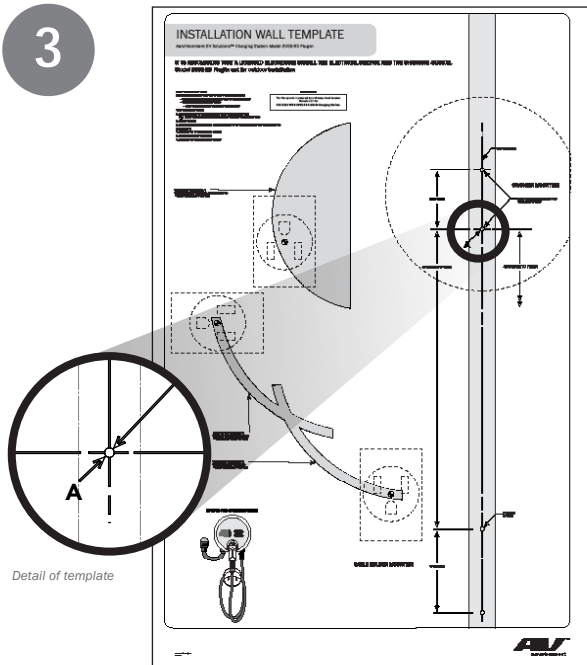
Use Stud Finder to locate wall stud.
Mark the center point of the wall stud.

2



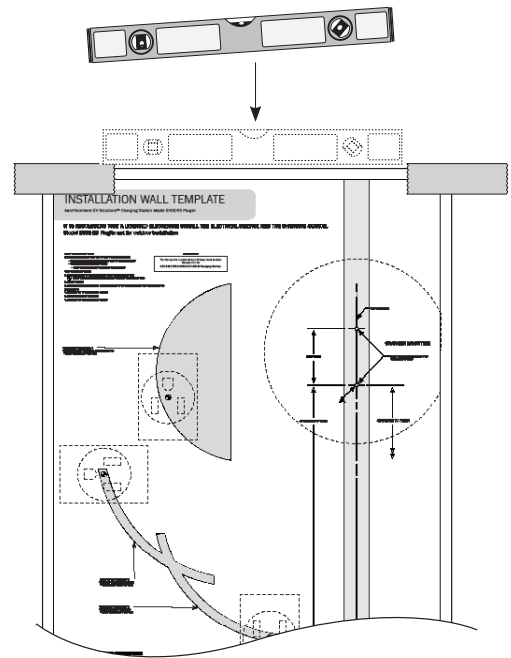
Measure and mark a point on the wall stud 45 inches from the floor.

3



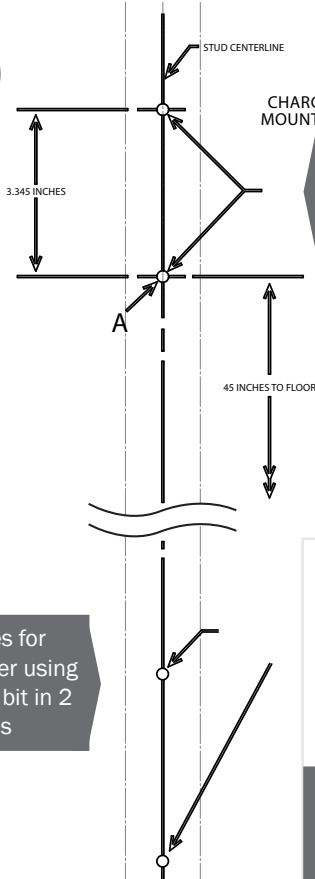
Pin Installation Template to the "center point mark" (Point A).

4



Use Level to straighten Installation Template.
Tape Template in place.
Install a 6-50 receptacle according to the allowable locations and orientation indicated on the Installation Template.

5

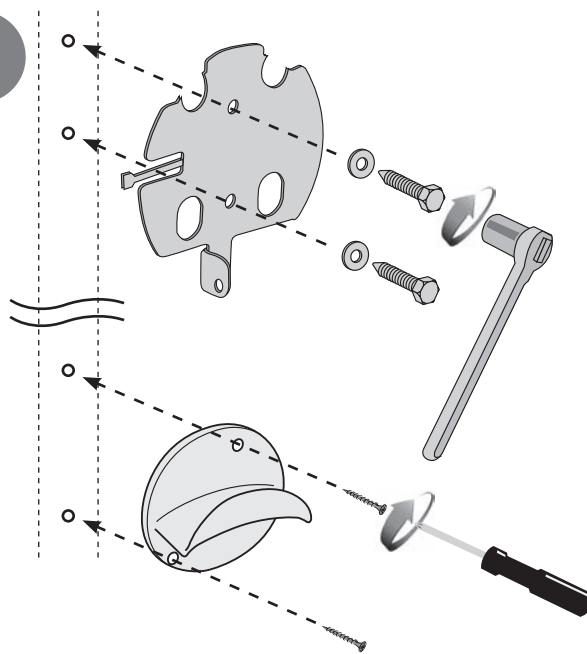


Drill holes for Mounting Plate using a $\frac{1}{4}$ inch drill bit, in 2 places on centerline of stud

Drill holes for Cable Hanger using $\frac{1}{8}$ inch drill bit in 2 places

Drill holes in Cable Hanger using $\frac{7}{32}$ inch drill bit in 2 places.

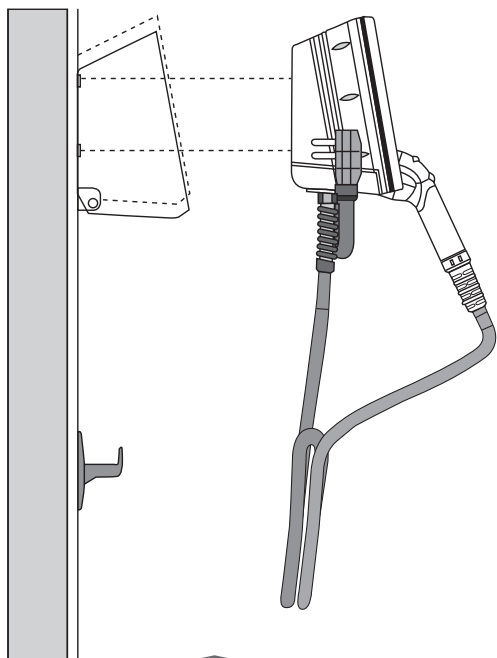
6



Using Socket Wrench, tighten Mounting Plate lag bolts and washers.

Using Phillips Screwdriver, tighten screws for Cable Hanger.

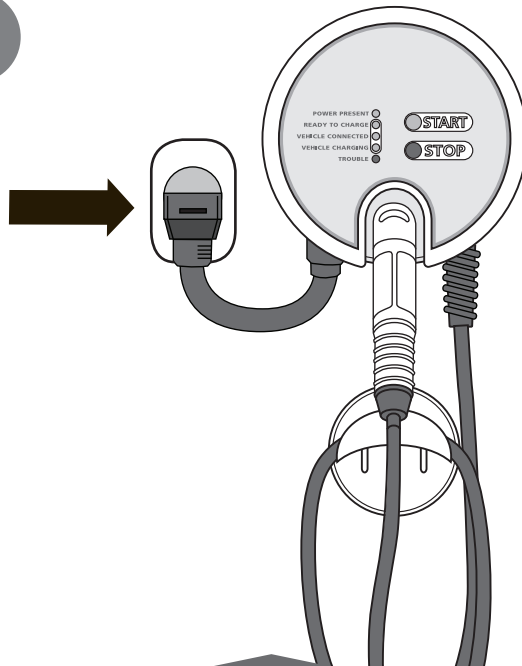
7



Position the station with the mounting bosses inserted into the corresponding openings in the plate.

Slide Charging Station down onto Mounting Plate to latch into place.

8

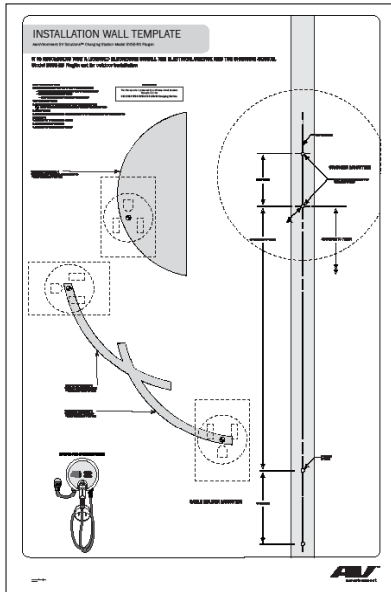


Turn off power to the Receptacle.

Plug the Charging Station into the Receptacle. Ensure that Plug is fully inserted into the Receptacle.

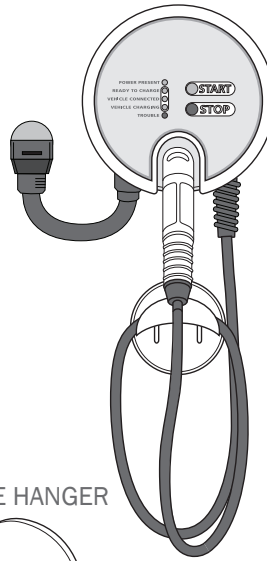
Turn on power to the Receptacle.

PACKAGING CONTENTS



INSTALLATION TEMPLATE

CHARGING STATION



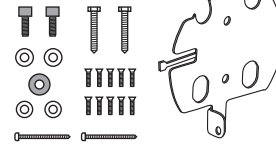
CABLE HANGER



QUICK START GUIDE



INSTALLATION GUIDE



HARDWARE KIT

HARDWARE KIT CONTENTS

- 1 - Mounting Plate
- 2 - 3/8 inch x 2 1/2 inch Lag Bolts
- 2 - 3/8 inch Flat Washers
- 2 - #8 x 2 1/2 inch Painted Head Wood Screws

TOOLS (not included)

1. Electronic Stud Finder
2. Drill
3. 1/8 inch Drill Bit
4. 7/32 inch Drill Bit
5. 1/4 inch Drill Bit
6. Carpenter's Level
7. 9/16 inch Socket Wrench
8. #2 Phillips Screwdriver
9. Measuring Tape
10. Masking Tape
11. Push pin / Tack

