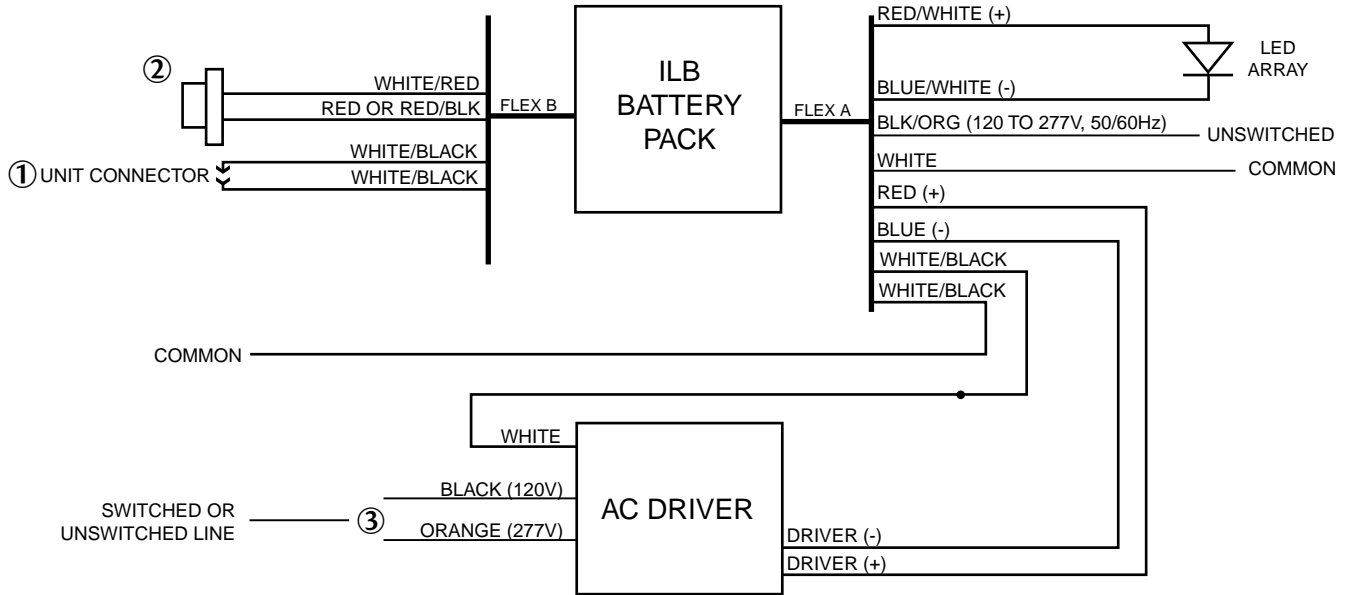


## ILB-CP WITH TBTS TEST ACCESSORY



- ① DO NOT MATE CONNECTOR UNTIL INSTALLATION IS COMPLETE AND AC POWER IS SUPPLIED.
- ② TEST ACCESSORY LEADS-OBSERVE PROPER POLARITY WIRING.
- ③ SELECT PROPER VOLTAGE LEAD. CAP UNUSED LEAD.

ILBCP\_TBTS\_A.EPS

## NOTES