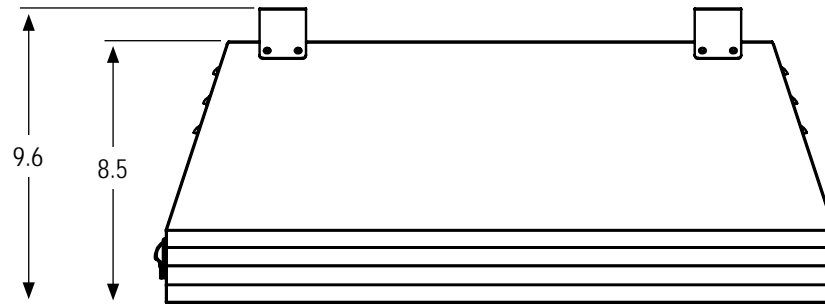
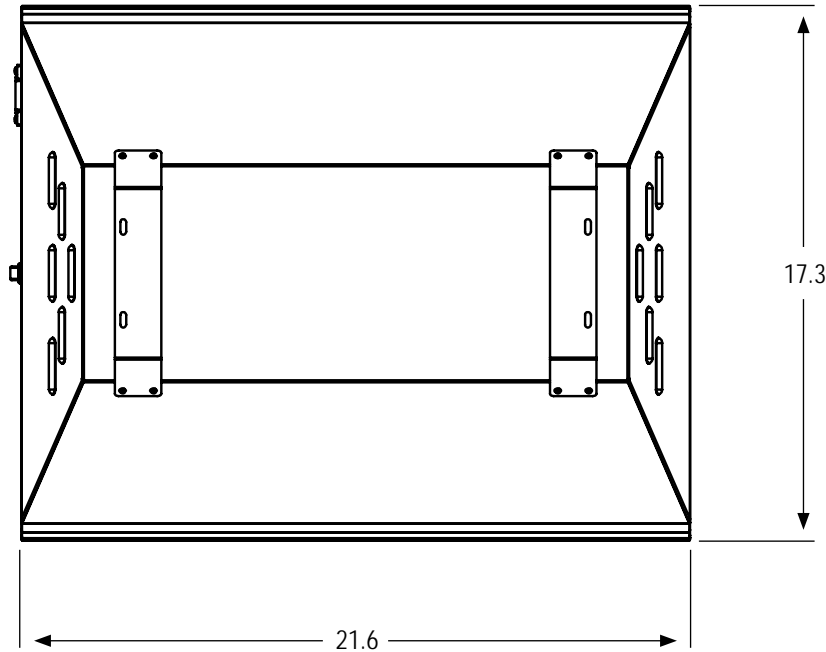


# SPECIFICATIONS

# LEC® 315 Light Emitting Ceramic Fixture - 120 Volt Item #906200



**REFLECTOR WEIGHT: 11.7 lbs**

*This document is not intended to be used for installation purposes. We cannot cover all specific applications or anticipate all requirements. All specifications are subject to change without notice.*

• = yes

•	ETL LISTED
	NOT ETL LISTED
Tested to UL Standard #1598	
	AIR-COOLED
	ACCEPTS GLASS
	HINGED GLASS FRAME
•	DETACHABLE POWER CORD
•	600 VOLT RATED CORD
•	FABRICATED IN USA*
•	2 YEAR WARRANTY ON FIXTURE
•	1 YEAR WARRANTY ON LAMP
<b>BALLAST</b>	
•	120 VOLTS
•	360 WATTS
•	3.00 AMPS
<b>LAMP COMPATIBILITY</b>	
•	CDM-T LIGHT EMITTING CERAMIC (LEC)
Lamp Wattage: 315	
<b>LAMP POSITION</b>	
	HORIZONTAL
•	VERTICAL
<b>LAMP SOCKET TYPE</b>	
•	INTEGRATED - FOR USE WITH CDM-T 315 WATT LEC LAMPS ONLY

\*with US and globally sourced parts