

## LED 4" COMMERCIAL RECESSED RETROFIT DOWNLIGHT

### RR4 SERIES



### PRODUCT DESCRIPTION:

The commercial-grade LED Recessed Downlight Retrofit is supplied with a quick connect-case and conduit to make an easy connection to an existing recessed fixture frame junction box.

### FEATURES:

- Universal voltage (120-277)
- Mounts into existing recessed frame
- Supplied with optional retaining clips if existing frame does not have adequate friction springs to secure reflector
- cETL listed for damp location use
- CRI: > 80
- PF: >.9
- A wide variety of CCTs available: 3000K and 4000K come standard; 2700K and 5000K by special order
- Five year limited warranty
- Dimmable to 5% (120v only)

### CONSTRUCTION:


- Supplied with a heavy gauge anodized aluminum reflector in a haze finish
- External driver for easy retrofit and maintenance
- Power supply features integral thermal protection

MODEL SELECTION (Full list of order codes on pg. 2)

Typical order example: RR42330W

RR	4			W
FAMILY	SIZE	WATTAGE (NOMINAL)	CCT	TRIM
RR= Commercial Recessed Retrofit Downlight	4= 4"	15= 15W 23= 23W	30= 3000K 40= 4000K	W= White

#### ACCESSORIES

ORDER CODE	MODEL NUMBER	DESCRIPTION	ACCESSORIES IMAGE
74086	RR4-BNRING	4" Brushed nickel trim ring	

### COMPATIBLE DIMMERS:

MAKE	DIMMER MODEL
Lutron	CTCL-153PD*
Lutron	DVCL-153PL*
Lutron	CTELV-303P
Lutron	LGCL-153PL*
Leviton	IPI10

\* Dimming control should be adjusted to 5% minimum light output level in order to avoid flickering. Please consult dimming control Instruction manual for specific procedure.

# LED 4" COMMERCIAL RECESSED RETROFIT DOWNLIGHT

## RR4 SERIES

### SPECIFICATIONS:

ITEM	SPECIFICATION	RR41530W	RR41540W	RR42330W	RR42340W
		DETAILS		DETAILS	
GENERAL PERFORMANCE	Power Consumption (W)	14.0	14.0	23.0	23.0
	Lumens Delivered (lm)	785	810	1635	1695
	Efficacy (lm/W)	58	58	71	74
	Color Temperature	3000K	4000K	3000K	4000K
	L70 Lifetime (hours)	50,000			
	Color Consistency	Proprietary binning for uniform color			
	CRI	> 80			
ELECTRICAL	Power Factor	.90			
	Input Voltage	120-277V standard			
	Compatible Dimmers	Lutron CTCL-153PD, DVCL-153PL, CTELV-303P, DVELV-303P, LGCL-153PL; Leviton IPI10			
PHYSICAL	Weight	2 lbs			
	Mounting	Mounts into existing recessed frame			
	Operating Temperature	0° – 104° F			
	Humidity	20% - 85% RH, non-condensing			
CERTIFICATION	Certification	FCC, LM-79, LM-80, ETL			
	Material Usage	RoHS compliant; no mercury			
	Environment	Indoor			
	Warranty	5 years			

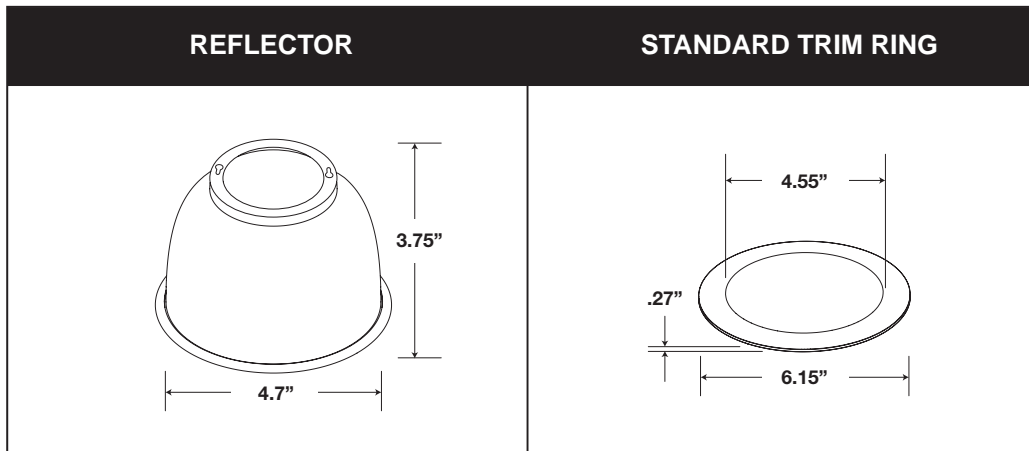
### ORDERING\*:

ORDER CODE	MODEL	WATTAGE	CCT	VOLTAGE
73567	RR41530W	15	3000K	120-277V
73568	RR41540W	15	4000K	
74202	RR42330W	23	3000K	
74203	RR42340W	23	4000K	

# LED 4" COMMERCIAL RECESSED RETROFIT DOWNLIGHT

RR4 SERIES

## PRODUCT FEATURES:



### PRODUCT FEATURES

