

LED 8" COMMERCIAL RECESSED RETROFIT DOWNLIGHT

RR8 SERIES



PRODUCT DESCRIPTION:

The commercial-grade LED Recessed Downlight Retrofit is supplied with a quick connect-case and conduit to make an easy connection to an existing recessed fixture frame junction box.

FEATURES:

- Universal voltage (120-277)
- Mounts into existing recessed frame
- Supplied with optional retaining clips if existing frame does not have adequate friction springs to secure reflector
- cETL listed for damp location use
- CRI: > 80
- PF: >.9
- A wide variety of CCTs available: 3000K and 4000K come standard; 2700K and 5000K by special order
- Five year limited warranty
- Dimmable to 5% (120v only)

CONSTRUCTION:

- Supplied with a heavy gauge anodized aluminum reflector in a haze finish
- External driver for easy retrofit and maintenance
- Power supply features integral thermal protection
- Optional extended trim rings available to conceal imperfections in drywall openings

MODEL SELECTION (Full list of order codes on pg. 2)

Typical order example: RR82330W

RR	8			W
FAMILY	SIZE	WATTAGE (NOMINAL)	CCT	TRIM
RR= Commercial Recessed Retrofit Downlight	8= 8"	15= 15W 23= 23W 30= 30W	27= 2700K 30= 3000K 40= 4000K	W= White

ACCESSORIES			
ORDER CODE	MODEL NUMBER	DESCRIPTION	ACCESSORIES IMAGE
72821	RR8-XWHTRING	8" White trim ring	
74088	RR8-BNRING	8" Brushed nickel trim ring	

COMPATIBLE DIMMERS:

MAKE	DIMMER MODEL
Lutron	CTCL-153PD*
Lutron	DVCL-153PL*
Lutron	CTELV-303P
Lutron	LGCL-153PL*
Leviton	IPI10

* Dimming control should be adjusted to 5% minimum light output level in order to avoid flickering. Please consult dimming control Instruction manual for specific procedure.

LED 8" COMMERCIAL RECESSED RETROFIT DOWNLIGHT

RR8 SERIES

SPECIFICATIONS:

ITEM	SPECIFICATION	RR81530W	RR81540W	RR81527W	RR82330W	RR82340W	RR83030W	RR83040W
		DETAILS			DETAILS		DETAILS	
GENERAL PERFORMANCE	Power Consumption (W)	14.0	14.0	17.0	23.0	23.0	30.0	30.0
	Lumens Delivered (lm)	875	920	1080	1670	1750	2220	2510
	Efficacy (lm/W)	63	66	65	73	76	74	84
	Color Temperature	3000K	4000K	2700K	3000K	4000K	3000K	4000K
	L70 Lifetime (hours)	50,000						
	CRI	> 80						
	Color Consistency	Proprietary binning for uniform color						
ELECTRICAL	Power Factor	.90						
	Input Voltage	120-277V standard						
	Compatible Dimmers	Lutron CTCL-153PD, DVCL-153PL, CTELV-303P, DVELV-303P, LGCL-153PL; Leviton IPI10						
PHYSICAL	Weight	2.25 lbs						
	Mounting	Mounts into existing recessed frame						
	Operating Temperature	0° – 104° F						
	Humidity	20% - 85% RH, non-condensing						
CERTIFICATION	Certification	FCC, LM-79, LM-80, ETL						
	Material Usage	RoHS compliant; no mercury						
	Environment	Indoor						
	Warranty	5 years						

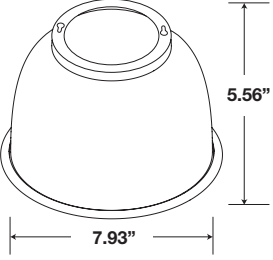
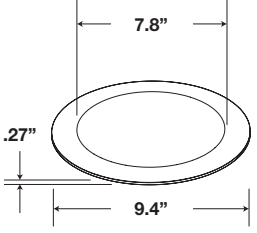
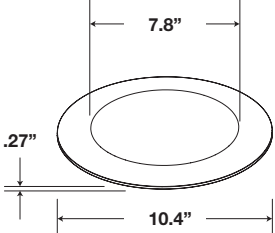
ORDERING*:

ORDER CODE	MODEL	WATTAGE	CCT	VOLTAGE
73571	RR81530W	15	3000K	120-277V
73572	RR81540W	15	4000K	
76889	RR81527W	17	2700K	
74035	RR82330W	23	3000K	
74036	RR82340W	23	4000K	
74037	RR83030W	30	3000K	
74038	RR83040W	30	4000K	

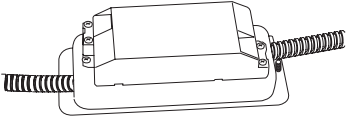
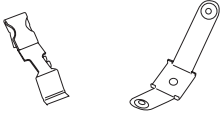
LED 8" COMMERCIAL RECESSED RETROFIT DOWNLIGHT

RR8 SERIES

PRODUCT FEATURES:

REFLECTOR	STANDARD TRIM RING	OPTIONAL EXTENDED TRIM RING
		<p>SOLD SEPARATELY</p> 

PRODUCT FEATURES

EXTERNAL DRIVER	RETAINING CLIPS
	 <p>Retaining clips are supplied for situations where the existing recessed frame does not have pre-installed clips to secure the reflector.</p>

