

MaxLite® LED RECESSED RETROFIT SERIES

General Safety Information

- To reduce the risk of death, personal injury or property damage from fire, electric shock, falling parts, cuts/abrasions, and other hazards read all warnings and instructions included with and on the fixture box and all fixture labels.
- Before installing, servicing, or performing routine maintenance upon this equipment, follow these general precautions.
- Commercial installation, service and maintenance of luminaires should be performed by a qualified licensed electrician.
- For Residential installation: If you are unsure about the installation or maintenance of the luminaires, consult a qualified licensed electrician and check your local electrical code.
- **DO NOT INSTALL DAMAGED PRODUCT!**
- This fixture is intended to be connected to a properly installed and grounded UL listed junction box.

WARNING:

RISK OF ELECTRICALSHOCK

- Turn off electrical power at fuse or circuit breaker box before wiring fixture to the power supply.
- Turn off the power when you perform any maintenance.
- Verify that supply voltage is correct by comparing it with the luminaire label information.
- Make all electrical and grounded connections in accordance with the National Electrical Code and any applicable local code requirements.
- All wiring connections should be capped with UL approved wire connectors.

CAUTION:

RISK OF INJURY

- Wear gloves and safety glasses at all times when removing luminaire from carton, installing, servicing or performing maintenance.
- Avoid direct eye exposure to the light source while it is on.
- Account for small parts and destroy packing material, as these may be hazardous to children.

CAUTION:

RISK OF FIRE

- Keep combustible and other materials that can burn away from luminaire and lamp/lens.
- MIN 90°C SUPPLY CONDUCTORS.

Illustrations on the manual are for installation purposes only. It may not be identical to the fixture purchased.

Component Summary

Part	Illustration	Qty.	Part	Illustration	Qty.
Reflector		1	Angled Brackets		3
Trim Ring		1	Tension Clip		3
Diffuser		1	Pan Head Screw		3

Mounting Instructions

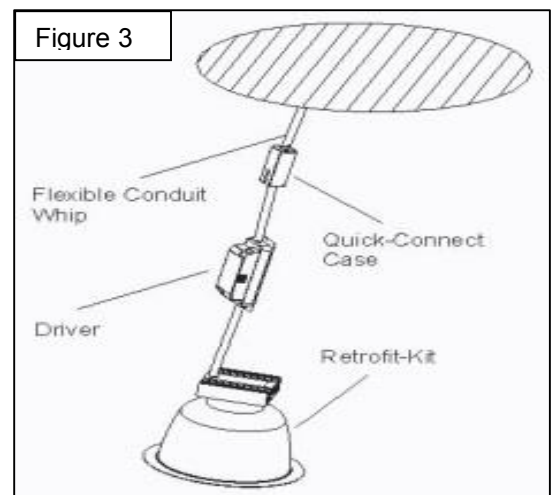
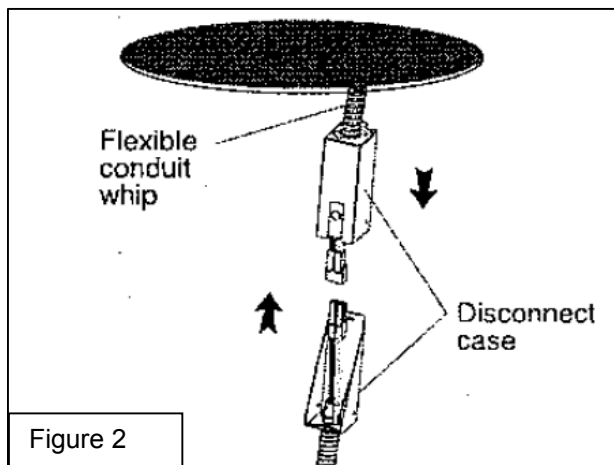
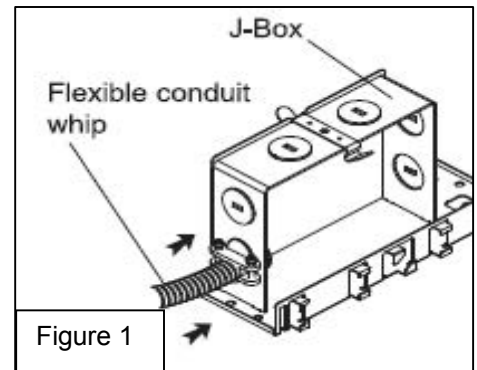


Picture is for illustration purposes only. Your model may vary.

MaxLite® LED RECESSED RETROFIT SERIES

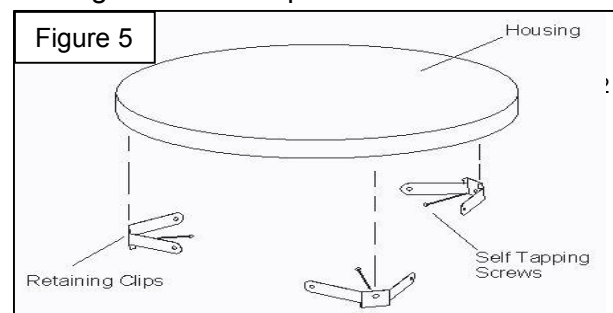
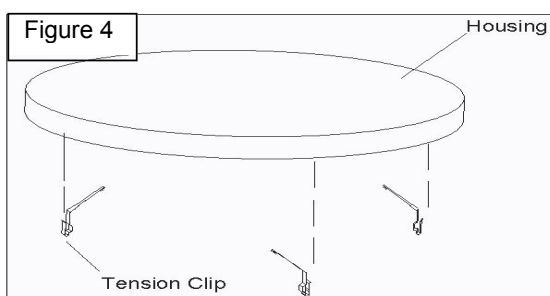
Before installation, ensure if power supply is disconnected. Cables must be connected in accordance to instruction and proper standing rules. Recessed retrofit fixture is dimmable with Triac based controls, please visit www.maxlite.com for a complete list of compatible controls. All wiring connections must be made in accordance with the supplied instruction manual and all applicable national and local wiring codes.

1. Turn power off at fuse or circuit breaker box.
2. Remove the j-box cover from existing frame housing.
3. Open quick case and remove quick-connect flexible whip.
4. Remove appropriate round knockout and connect the flexible conduit whip to j-box with the provided snap-in connector. **(Fig. 1)**
5. Access the wiring compartment by removing a side to the J-Box.
6. Make wire connections between the conductors from the retrofit quick connect and supply wires. Simply connect disconnect case (Patent Pending) by Snap-On fit. Black = Line, White = Common **(Fig. 2)**



7. Fasten the LED engine to the down light retrofit kit utilizing the twist locking key holes.
8. With the fixture housing LED's pointing down place the trim ring concave up around the reflector.
9. Tuck the flexible conduit whip and the retrofit-kit into the existing housing. **(Fig. 3)**
10. If the LED retrofit is not secured properly by existing hardware use supplied mounting clips from parts bag to secure the reflector properly.
11. Supply power and enjoy new LED Down light Retrofit Kit.

NOTE: If recessed aperture has an edge use the tension clips. Tension clips are installed by pushing upward on the edge of the recessed fixture frame as shown in figure 4. If no edge is visible attach angled brackets to the interior of the recessed fixture aperture using supplied pan head screws, or other appropriate fastener as shown in figure 5. If previous methods do not create a secured friction surface both retaining clips are mounted in combination. The tension clip is fastened on the center of the angled bracket clip.



MaxLite® LED RECESSED RETROFIT SERIES

Housing Compatibility: Please contact MaxLite at (973)244-7300 if your housing is not listed

RR4xxxW ETL Classified for retrofit in the following 4" housings;	
Lightoiler	S4118VU

RR6xxxW ETL Classified for retrofit in the following 6" housings;	
Halo	PD6V142E, PD6V120, PD7V501E, PD6V501E, PD6V701E, PD6V1001E
Juno	CV6-118T, CV6-126Q, CV6-126/32T, TC906, MX6-XX, M6-XX
Lithonia	LP6F, CCR62, LP6H, LP6

RR8xxxW ETL Classified for retrofit in the following 8" housings;	
Halo	PD7V142E, PD7V120, PD7V501E, PD7V701E, PD7V1001E, PD7V70XIE, PD7V100XIE
Juno	CV8-126/32/42T, TC908, MX8-(70,100), M8-(70,100)
Lithonia	LP8F, CCR82, LP8H, LP8

RR9xxxW ETL Classified for retrofit in the following 9" housings;	
Cooper	MD9E, H6004T, C9170, C9157, C9142, C9242, C9257
Elite	HV10PL, HH10PL
Prescolite	LFHL 9" Round
Liton	LVH9132, LVH9141, LVH9157, LVH9170, LHM9070ADVE, LHM9100ADVE, LHM9070, LHM9100, LHM9150, LHM9175, LHM9250

Exploded View:

