

MaxLite[®] 4", 6", 8" and 9" LED ARCHITECTURAL DOWNLIGHT INSTALLATION INSTRUCTIONS

General Safety Information

- To reduce the risk of death, personal injury or property damage from fire, electric shock, falling parts, cuts/abrasions, and other hazards read all warnings and instructions included with and on the fixture box and all fixture labels.
- Before installing, servicing, or performing routine maintenance upon this equipment, follow these general precautions.
- Commercial installation, service and maintenance of luminaires should be performed by a qualified licensed electrician.
- For Residential installation: If you are unsure about the installation or maintenance of the luminaires, consult a qualified licensed electrician and check your local electrical code.
- **DO NOT INSTALL DAMAGED PRODUCT!**
- This fixture is intended to be connected to a properly installed and grounded UL listed junction box.

WARNING:

- Risk of Fire - Supply conductors (power wires) connecting the fixture must be rated minimum 90°C. If uncertain consult an electrician.
- Risk of fire or electric shock. LED Retrofit Kit installation requires knowledge of luminaires electrical systems.
- Risk of Fire/Electric Shock - If not qualified, do not attempt installation. Contact a qualified electrician.

CAUTION:

- For your safety read and understand instructions completely before starting installation.
- To prevent wiring damage or abrasion, do not expose wiring to edges of sheet metal or other sharp objects.
- Before attempting installation, check your local electrical code, as it sets the wiring standards for your locality.

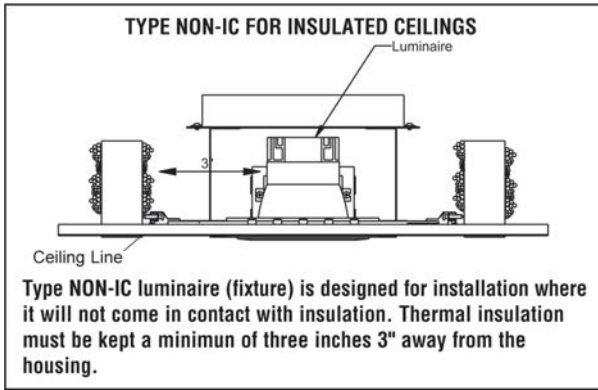
NOTES:

- If luminaire (fixture) is to be switched from a wall switch, make sure black power supply wire is connected to the switch. **DO NOT** connect the white supply wire to the switch.
- Make certain no bare wires are exposed outside the wire nut connectors.
- Do not make or alter any open holes in an enclosure of wiring or electrical components during kit installation.

Illustrations on the manual are for installation purposes only. It may not be identical to the fixture purchased.



MaxLite® 4", 6", 8" and 9" LED ARCHITECTURAL DOWNLIGHT INSTALLATION INSTRUCTIONS



INSTALLATION IN NEW CONSTRUCTION

1. Locate center of fixture opening in the ceiling sheetrock and cut a 6-1/2" diameter hole. **Note:** Cut a 5-1/8" (for 4" fixtures), 8-1/8" (for 8" fixtures) opening.
2. Extend hanger bars to fit between joists. Align the flange of the hanger bar with the underside of the joists and nail the hanger bar to the joist (Fig. 2). Level the opposite end of the hanger bar and nail it securely to the joist. Repeat the process with the other hanger bar.
3. Position fixture between joists at desired location by sliding housing on hanger bars. Once the housing is in the desired location, squeeze tabs into hanger bars to lock luminaire (fixture) into place (Fig 2).

Figure 1.

1st: Install Mounting Bracket

(Tighten Screws (4) and squeeze all locking tabs against rails with pliers once fixture is positioned)

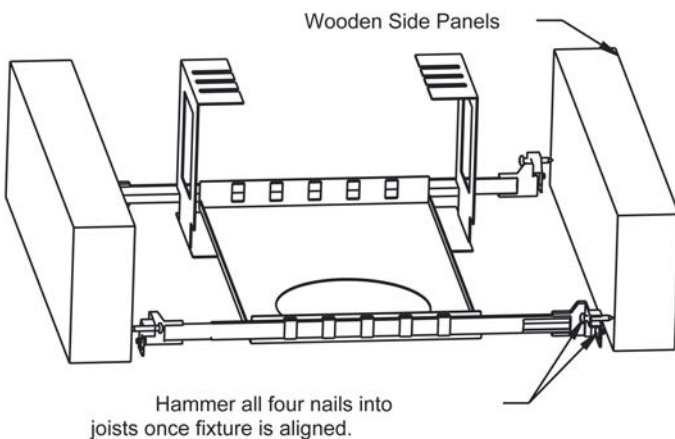


Figure 2.

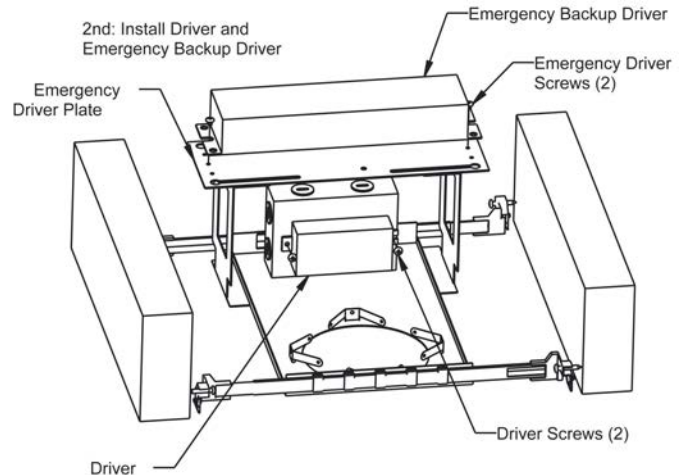


Figure 3.

3rd: Install Trimming, Reflector, Diffuser and Heatsink

(Twist and lock diffuser and Reflector using pre-mounted screws)

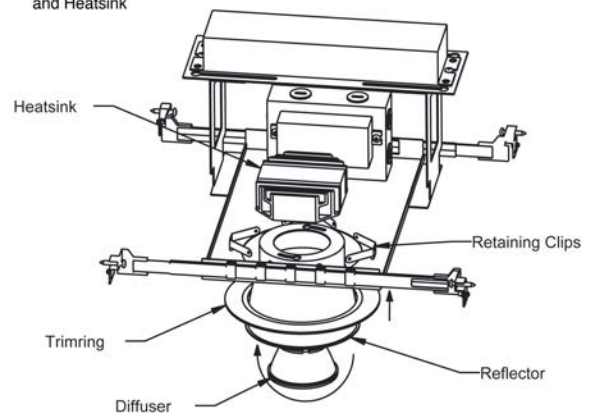
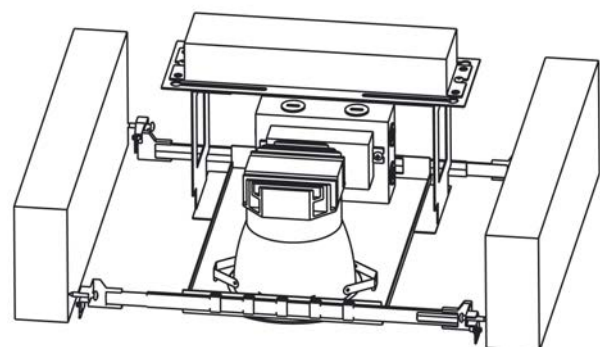


Figure 4.

Finished Assembly



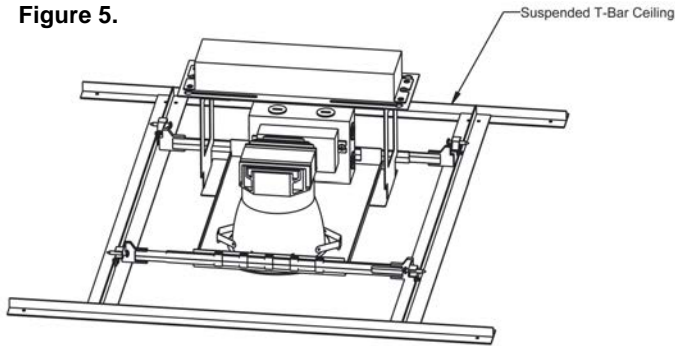
4. Follow steps 1 through 5 under Electrical Connections.

MaxLite® 4", 6", 8" and 9" LED ARCHITECTURAL DOWNLIGHT INSTALLATION INSTRUCTIONS

INSTALLATION IN SUSPENDED CEILINGS

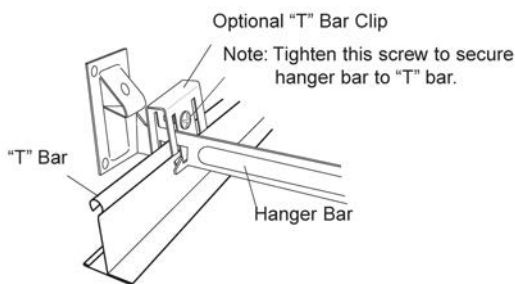
1. Locate fixture proposed center in the ceiling tile and cut a 6-1/2" diameter hole. **Note:** Cut a 5-1/8" (for 4" fixtures), 8-1/8" (for 8" fixtures) opening.
2. Place ceiling tile in the T-bar grid.

Figure 5.



3. Place fixture into position and snap bar hanger foot with integral T-bar clips onto T-bars (Fig. 6).
4. Secure hanger bars to T-bars and properly support the fixture from the building structure. **Note:** Optional T-Bar Clips and screws may be used as local code authority or site conditions require (Fig. 6).

Figure 6.



5. To secure luminaire (fixture) position in ceiling, squeeze tabs into hanger bars to lock luminaire (fixture) into place on bars.
6. Follow steps 1 through 5 under "Electrical Connection"

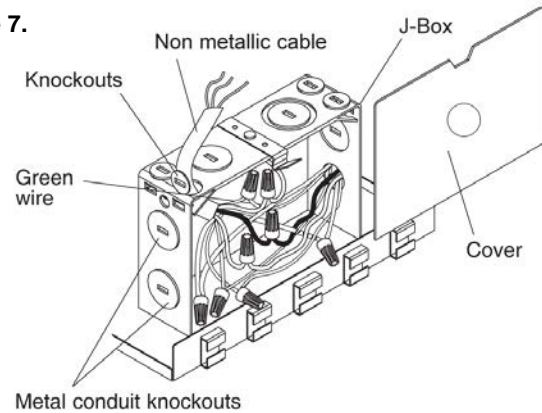
ELECTRICAL CONNECTION

1. Provide electrical service according to the "National Electrical Code" or your local electrical code to the junction box on the fixture frame.
2. Remove appropriate size knockout on fixture J-box for conduit connector.
3. Remove J-box cover to J-box by pushing up on spring clip. Attach Conduit with connector to J-box and secure (Fig. 7)

4. Connect supply wires to fixture wires and insulate with proper size wire nuts (not provided).
 - a.) Connect incoming ground wire (green or bare) to fixture ground wire (green or bare).
 - b.) Connect incoming common (white) wire to fixture common (white).
 - c.) Connect incoming hot (typically black) wire to fixture black wire.

5. Replace J-box cover.

Figure 7.



INSTALLATION INTO RECESSED HOUSING

1. Plug the female connector of the retrofit-kit onto the male connector of the flexible conduit whip assembly. (Fig. 8)
2. Connect disconnect case (Patent pending) by snap-on fit.
3. Tuck flexible conduit whip into the housing and carefully push the retrofit-kit into existing housing. (Fig. 9)

Figure 8.

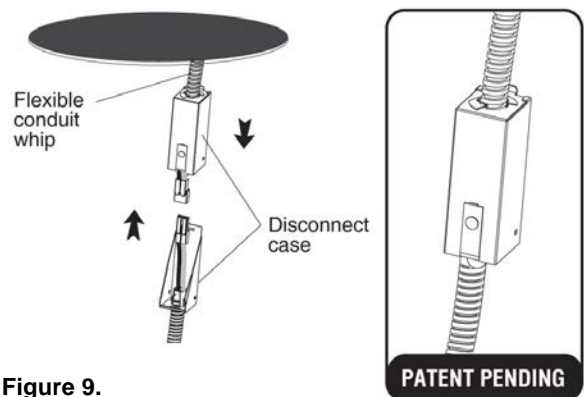


Figure 9.

