

FEATURES & SPECIFICATIONS

INTENDED USE — Typical applications include corridors, lobbies, conference rooms and private offices.
CONSTRUCTION — 16-gauge galvanized steel mounting/plaster frame with trim clips to mount open conical shape reflector.

Vertically adjustable mounting brackets that use 16-gauge flat bar hangers (included), 1/2" conduit or C channel T-bar fasteners. Provides 3-3/4" total adjustment.

Post installation adjustment possible from above or below the ceiling.

Galvanized steel junction box with bottom-hinged access covers and spring latches. Two combination 1/2"-3/4" and three 1/2" knockouts for straight-through conduit runs. Capacity: 8 (4 in, 4 out) No. 12 AWG conductors, rated for 90°C.

Secondary housing adjustment system for precise, final ceiling-to-flange alignment.

Maximum 1-1/2" ceiling thickness.

OPTICS — LED light source with diffused lens, recessed in a deep reflector with a 55-degree cutoff. Aluminum full reflectors are optically designed to maximize lumen output and to provide superior glare control. Anodized trim colors for open and wallwash reflectors are available in clear, pewter, wheat or gold. White polyester powder coat also available.

Minimum CRI of 80.

ELECTRICAL — High-efficiency, eldoLED 0-10V dimming driver mounted to the junction box, dims luminaire to 10% of its light output. 1% dimming option available (see EZ1 ordering options below).

Dimming fixture requires two (2) additional low-voltage wires to be pulled.

For compatible dimmers and dimming range, refer to Dimmer Compatibility Chart on page 4.

The system maintains 70% lumen output for more than 50,000 hours.

LISTINGS — CSA certified to US and Canadian safety standards. Open downlight (LO6): Wet location listed. Wallwash downlight (LW6): Rated for damp and dry locations only.

WARRANTY — 5-year limited warranty. Complete warranty terms located at

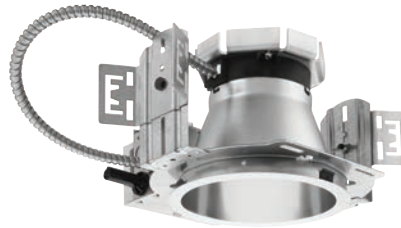
www.acuitybrands.com/CustomerResources/Terms_and_conditions.aspx

Actual performance may differ as a result of end-user environment and application.

All values are design or typical values, measured under laboratory conditions at 25 °C.

Note: Specifications subject to change without notice.

Catalog Number
Notes
Type



LDN6 35/15 L06AR 120

LDN6

**6" OPEN and WALLWASH LED
Non-IC
New Construction Downlight**



Maximum Overall Dimensions — All dimensions are inches (centimeters) unless otherwise indicated.							
Lumen package	(A) Height	(B) Frame height	(C) Aperture	(D) Ceiling opening	(E) Outside diameter	(F) Width	(G) Length
600 lm	6-7/16 (16.4)	5-3/4 (14.6)	6-15/16 (17.6)	7-1/8 (18.1)	7-1/2 (19.1)	12-15/16 (32.8)	10-15/16 (27.8)
1000 lm							
1500 lm							
2000 lm	7-13/16 (19.9)						

ORDERING INFORMATION

Lead times will vary depending on options selected. Consult with your sales representative.

Example: LDN6 35/15 L06AR 120

LDN6	Series	Color temperature	Lumens ^{1,2}	Reflector	Trim color	Finish	Voltage	Options
LDN6	LDN6	27/ 2700 K	06 600 lumens	L06 Open downlight	AR Clear	(blank) Semi-specular	120	EL Emergency battery pack with integral test switch ⁶
		30/ 3000 K	10 1000 lumens	LW6 Wallwash downlight ³	PR Pewter	LD Matte-diffuse	277	ELR Emergency battery pack with remote test switch ⁶
		35/ 3500 K	15 1500 lumens		WTR Wheat	LS Specular	347 ⁵	SF Single fuse
		40/ 4000 K	20 2000 lumens		GR Gold			TRW White painted flange ⁷
					WR White ⁴			TRBL Black painted flange
					BR Black ⁴			NPS80EZ nLight® dimming pack controls 0-10V eldoLED drivers. Refer to TN-633 .
								NPS80EZER nLight® dimming pack controls 0-10V eldoLED drivers. ER controls fixtures on emergency circuit. Refer to TN-633 . ⁸
								RRL___ RELOC®-ready luminaire connectors enables a simple and consistent factory installed option across all ABL luminaire brands. Refer to RRL for complete nomenclature.
								EZ1 eldoLED dims to 1%
								CP Chicago plenum ^{5,9}

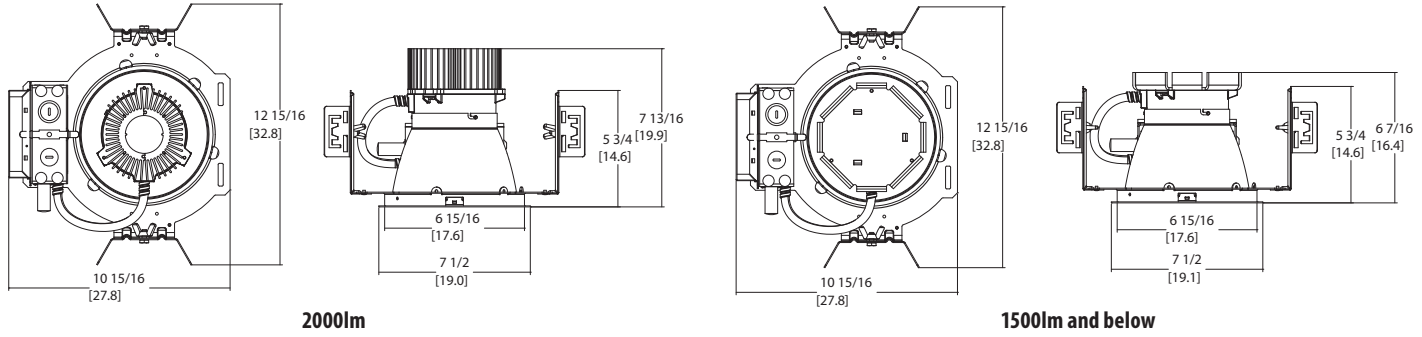
Accessories: Order as separate catalog number.	
EAC ISSM 375	Compact interruptible emergency AC power system
EAC ISSM 125	Compact interruptible emergency AC power system
GRA68 JZ	Oversized trim ring with 8" outside diameter ¹⁰
SCA6	Sloped ceiling adapter. Refer to TECH-SCA for more options.

Notes

- Approximate lumen output.
- Overall height varies by lumen package. Reference dimension chart on page 1.
- Rated for damp and dry locations only.
- Not available with finishes.
- Not available with emergency options.
- For dimensional changes, refer to chart on page 4. Not available with CP option.
- Not available with WR (white trim color).
- For use with generator supply EM power. Will require an emergency hot feed and normal hot feed.
- 277 volt CP products require marked spacing. Install with minimal spacing between: (a) Center-to-center of adjacent luminaires: 2 ft.; (b) Top of luminaire to overhead building member: 3 in.; (c) Luminaire center to side of building member: 1 ft.
- Refer to [TECH-GOOF RINGS](#) for more options.

LDN6

DIMENSIONS

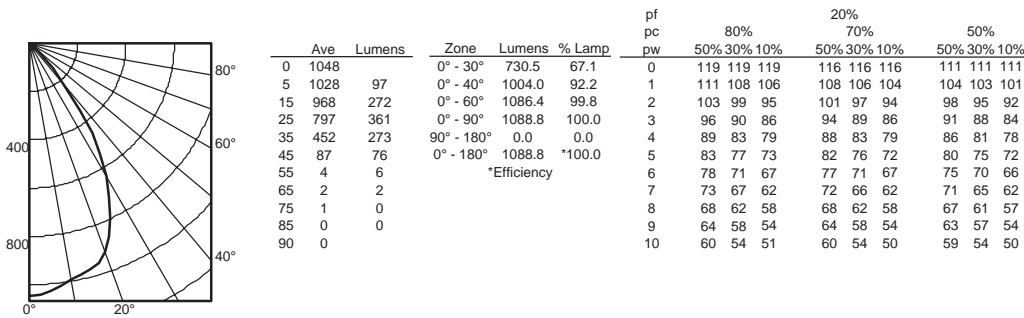


Overall height varies by lumen package. Reference dimension chart for details.

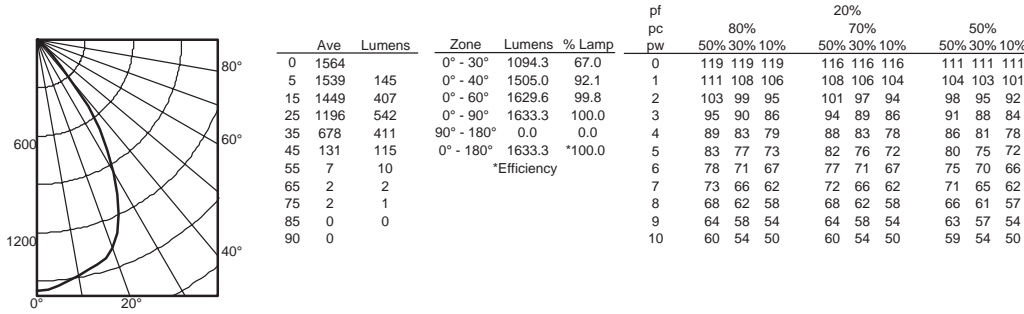
PHOTOMETRY

Distribution Curve	Distribution Data	Output Data	Coefficient of Utilization	Illuminance Data at 30" Above Floor for a Single Luminaire
--------------------	-------------------	-------------	----------------------------	--

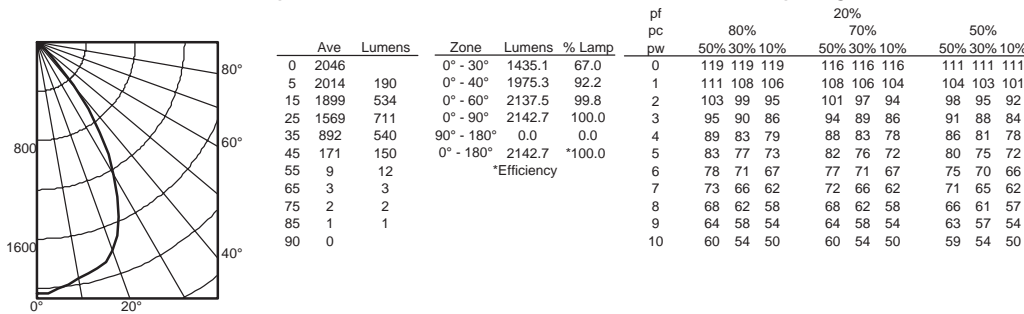
LDN6 35/10 L06AR 120, input watts: 18, delivered lumens: 1089, LM/W = 61, spacing criterion at 0 = 1.03, test no. LTL25148SL.



LDN6 35/15 L06AR 120, input watts: 26, delivered lumens: 1633, LM/W = 63, spacing criterion at 0 = 1.03, test no. LTL25146.

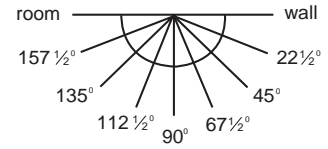


LDN6 35/20 L06AR 120, input watts: 35, delivered lumens: 2143, LM/W = 61, spacing criterion at 0 = 1.04, test no. LTL25144.



TECHNICAL INFORMATION

Footcandle values are initial and tables are based on minimum of six units. For fixture-to-wall distance other than those shown, use maximum of one-to-one spacing (distance between fixtures not more than distance to wall) for best results.



Candlepower Data

Footcandle values

LDN6 35/10 LW6AR 120, input watts: 18, delivered lumens: 1090, LM/W = 61, test no. LTL25147.

Vertical Angle	Plane angle						
	Wall	22.5	45	67.5	90	112.5	135 157.5
0	888	888	888	888	888	888	888
5	813	811	824	854	875	902	922 926
15	652	675	728	803	862	905	930 935
25	488	524	601	678	723	748	749 741
35	319	355	387	414	409	407	409 403
45	241	229	190	139	87	76	76 74
55	181	172	114	40	9	5	7 8
65	139	117	57	11	1	2	3 4
75	74	57	19	3	2	2	3 2
85	19	13	0	0	0	0	0 0
90	5	6	0	0	0	0	0 0

ft. from ceiling	Wallwash Illuminance Study (fc)								
	Illuminance on wall from 6 luminaires								
	Luminaire mounted 3 ft. from wall			Luminaire mounted 3 ft. from wall			Luminaire mounted 3 ft. from wall		
	3 ft. between luminaires			4 ft. between luminaires			5 ft. between luminaires		
	3	3.5	4	3	3.5	4	3	3.5	4
1	10	8	10	9	5	9	9	2	9
2	15	15	15	13	10	13	12	6	12
3	15	14	15	12	10	12	10	7	10
4	13	14	13	10	11	10	8	8	8
5	12	13	12	9	10	9	7	8	7
6	12	12	12	8	9	8	7	7	7
7	10	10	10	8	8	8	6	6	6
8	9	9	9	7	7	7	5	5	5
9	8	8	8	6	6	6	5	5	5
10	6	6	6	5	5	5	4	4	4

LDN6 35/15 LW6AR 120, input watts: 26, delivered lumens: 1639, LM/W = 63, test no. LTL25145.

Vertical Angle	Plane angle						
	Wall	22.5	45	67.5	90	112.5	135 157.5
0	1312	1312	1312	1312	1312	1312	1312
5	1198	1187	1202	1244	1285	1326	1371 1409
15	956	976	1052	1153	1246	1333	1403 1438
25	697	720	837	953	1028	1082	1109 1126
35	442	482	548	586	583	590	612 623
45	348	336	303	222	132	105	112 115
55	283	269	196	80	19	8	10 11
65	230	191	102	22	3	2	3 6
75	121	88	30	1	1	1	1 4
85	30	18	1	1	0	0	0 0
90	5	6	0	2	1	1	1 0

ft. from ceiling	Wallwash Illuminance Study (fc)								
	Illuminance on wall from 6 luminaires								
	Luminaire mounted 3 ft. from wall			Luminaire mounted 3 ft. from wall			Luminaire mounted 3 ft. from wall		
	3 ft. between luminaires			4 ft. between luminaires			5 ft. between luminaires		
	3	3.5	4	3	3.5	4	3	3.5	4
1	17	13	17	16	7	16	15	4	15
2	24	24	24	20	16	20	19	10	19
3	22	22	22	17	16	17	15	11	15
4	20	21	20	14	16	14	12	12	12
5	18	19	18	13	15	13	10	12	10
6	17	17	17	12	13	12	9	11	9
7	15	15	15	11	11	11	9	9	9
8	13	13	13	10	10	10	8	8	8
9	11	11	11	8	8	8	7	7	7
10	9	9	9	7	7	7	6	6	6

LDN6 35/20 LW6AR 120, input watts: 35, delivered lumens: 2137, LM/W = 61, test no. LTL25143.

Vertical Angle	Plane angle						
	Wall	22.5	45	67.5	90	112.5	135 157.5
0	1712	1712	1712	1712	1712	1712	1712
5	1566	1544	1598	1633	1710	1739	1783 1806
15	1254	1276	1394	1533	1658	1755	1811 1834
25	913	956	1140	1307	1420	1489	1512 1521
35	592	654	766	839	851	852	855 861
45	446	425	402	325	215	170	167 167
55	335	317	248	115	32	13	12 14
65	251	213	129	35	5	4	5 5
75	121	92	39	4	1	1	1 3
85	24	14	2	0	1	0	0 0
90	1	1	1	0	1	1	1 0

ft. from ceiling	Wallwash Illuminance Study (fc)								
	Illuminance on wall from 6 luminaires								
	Luminaire mounted 3 ft. from wall			Luminaire mounted 3 ft. from wall			Luminaire mounted 3 ft. from wall		
	3 ft. between luminaires			4 ft. between luminaires			5 ft. between luminaires		
	3	3.5	4	3	3.5	4	3	3.5	4
1	17	13	17	16	7	16	16	4	16
2	28	27	28	23	18	23	22	11	22
3	28	27	28	22	19	22	19	14	19
4	26	27	26	19	20	19	16	15	16
5	24	25	24	17	20	17	13	16	13
6	22	22	22	16	17	16	12	15	12
7	20	20	20	15	15	15	11	13	11
8	17	17	17	13	13	13	10	11	10
9	15	15	15	11	11	11	9	9	9
10	13	13	12	10	10	10	8	8	8

Notes

- Tested in accordance with IESNA LM-79-08.
- Tested to current IES and NEMA standards under stabilized laboratory conditions.
- CRI: 80 typical.

ADDITIONAL DATA

DIMMER COMPATIBILITY CHART	
Manufacturer	Model/Series
600 & 1000 Lumen products	
Leviton	IllumaTech - IP710-DLX
Lutron	Nova T - NTFTV-WH <i>For on/off control, this switch requires a power pack. Consult Lutron for more information.</i>
Sensor Switch	nPODM DX
Synergy	ISD BC 120/277
1500 & 2000 Lumen products	
Busch-Jaeger	2112U-101
Jung	240-10
Leviton Lighting Controls	IllumaTech - IP710-DLX
Lightolier Controls	ZP600FAM120
Lutron Electronics	Nova T - NTFTV
	Diva - DDTV
	Diva - NFTV
	GraphicEye - GRX-TVI w GRX3503
	Energy Savr Node - QSN-4T16-S
TVM2 Module	
Merten	5729
Pass & Seymour	CD4FB-W
Sensor Switch	nPODM DX
Synergy	ISD BC 120/277
The Watt Stopper	DCLV1

EL/ELR DIMENSIONAL CHANGES	
Add to overall housing length for EL/ELR option	Overall housing width with EL/ELR option
4-1/2	16-1/2

EL/ELR AVAILABILITY/COMPATIBILITY-INITIAL LUMENS			
Lumen Package	Wattage Consumed	Initial Lumen EL	Emergency LED driver
600	56	505	PS750
1000	61	550	PS750
1500	63	570	PS750
2000	61	550	PS750

KEY SPECIFICATION SUMMARY				
Product Description	Watts (W)	Delivered lumens (lm)	Efficacy (lm/W)	Spacing criteria (s/mh)
LDN6 35/06 L06AR	12	670	56	1.03
LDN6 35/10 L06AR	18	1090	61	1.03
LDN6 35/15 L06AR	26	1640	63	1.03
LDN6 35/20 L06AR	35	2140	61	1.04

Choose Wall Controls.

nLIGHT offers multiple styles of wall controls – each with varying features and user experience.



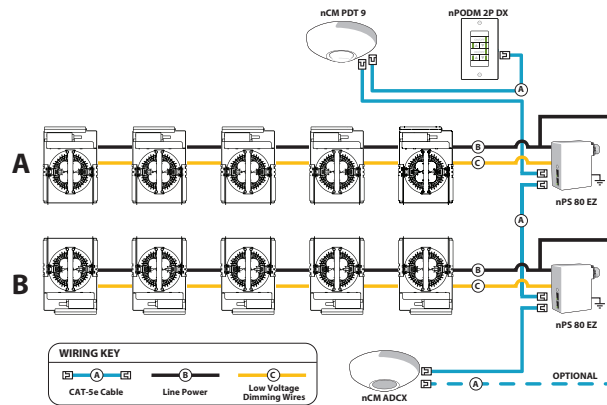
Push-Button WallPod
Traditional tactile buttons and LED user feedback



Touch WallPod
Contemporary capacitive touch style buttons with audible clicker for user feedback



Graphic WallPod
Full color touch screen provides a sophisticated look and feel



EXAMPLE

Group Fixture Control*

*Application diagram applies for fixtures with eldoLED drivers only.

nPS 80 EZ Dimming/Control Pack (qty 2 required)

nPODM 2P DX Dual On/Off/Dim Push-Button WallPod

nCM ADCX Daylight Sensor with Automatic Dimming Control

nCM PDT 9 Dual Technology Occupancy Sensor

Description: This design provides a dual on/off/dim wall station that enables manual control of the fixtures in Row A and Row B separately. Additionally, a daylight harvesting sensor is provided so the lights in row B can be configured to dim automatically when daylight is available. An occupancy sensor turns off all lights when the space is vacant.