

MaxLite® LED PL RETROFIT LAMPS



General Safety Information

READ AND FOLLOW ALL SAFETY INSTRUCTIONS

DANGER – RISK OF SHOCK – DISCONNECT POWER BEFORE INSTALLATION

WARNING – Risk of fire or electric shock. LED Retrofit Kit installation requires knowledge of luminaire electrical systems. If not qualified, do not attempt installation. Product must be installed in accordance with the National Electrical Code or your local electrical code. If you are not familiar with these codes and requirements, contact a qualified electrician.

WARNING – Risk of fire or electric shock. Install this kit only in the luminaires that have the construction features and dimensions shown in the photographs and/or drawings and where the input rating of the retrofit kit does not exceed the input rating of the luminaire.

Do not make or alter any open holes in an enclosure of wiring or electrical components during kit installation.

WARNING – To prevent wiring damage or abrasion, do not expose wiring to edges of sheet metal or any other sharp objects.

WARNING – Risk of fire or electric shock. Luminaire wiring and electrical parts may be damaged when installing of retrofit kit hardware. Check for enclosed wiring and components.

WARNING – Risk of fire or electric shock. Check the existing wiring for damage before installing upgrade kit. Do not install if existing wires are damaged.

Installers should not disconnect existing wires from lamp holder terminals to make new connections at lamp holder terminals. Instead installers should cut existing lamp holder leads away from the lamp holder and make new electrical connections to lamp holder lead wire by employing applicable connectors.

"This luminaire has been modified and can no longer operate the originally intended lamp," shall be marked on the retrofit luminaire where readily visible by the user during normal maintenance including lamping.

DO NOT USE WITH DIMMERS.

RISK OF ELECTRIC SHOCK – USE IN DRY LOCATION ONLY. NOT FOR USE IN TOTALLY ENCLOSED LUMINAIRES.

SUITABLE FOR TYPE IC OR NON-IC RECESSED LUMINAIRES WITH THROUGH-BRANCH WIRING MARKED "MAX. 4 OF 12 AWG CONDUCTORS".

THIS DEVICE IS NOT INTENDED FOR USE WITH EMERGENCY EXITS.



MaxLite® LED PL RETROFIT LAMPS

Installation Instructions

MIN. LAMP COMPARTMENT DIMENSIONS: 5.91 (DIA) x 3.94 (H) inch for 5W.
 MIN. LAMP COMPARTMENT DIMENSIONS: 7.87 (DIA) x 4.92 (H) inch for 7W.
 Note: Ballast bypass instructions apply only to GX23 and G24q base lamps.



1. Make sure the circuit breaker that supplies power to the fixture is turned off.
2. Remove trim and existing lamp(s) from recessed fixture. Drop housing from plaster frame.
3. Remove inner junction box cover and disconnect ballast from input wiring and lampholder leads. Dispose of removed ballast and lamps in accordance with government regulations in your area.
4. Connect input wiring to lampholder leads according to the appropriate diagram below (**Figure 1, 2, 3, 4**). Place wires and connections back in wiring box and replace cover.
5. Reinstall housing and trim.
6. Install your new MaxLite LED PL lamps. Rotate lamps to desire position.
7. Apply relamping Label on a visible location inside the fixture.
8. Turn power on at the breaker box and turn on the lights.

THIS LUMINAIRE HAS BEEN MODIFIED AND CAN NO LONGER OPERATE THE ORIGINALLY INTENDED LAMP. CALL 1-800-555-5629 FOR RELAMPING INFO MANUFACTURER: MAXLITE

Figure 1. Retrofit with One Lamp (GX23 Base)

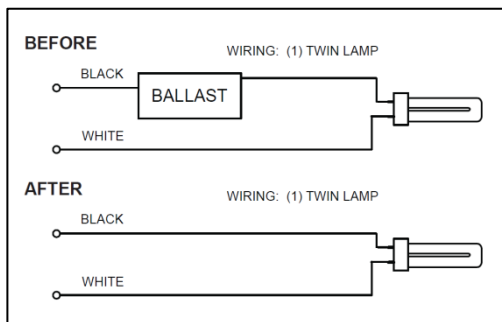


Figure 2. Retrofit with Two Lamps (GX23 Base)

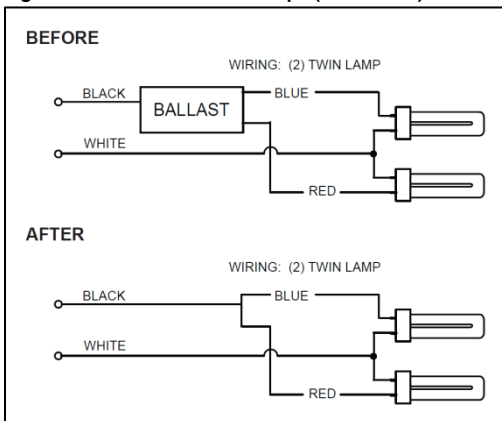


Figure 3. Retrofit with One Lamp (G24q Base)

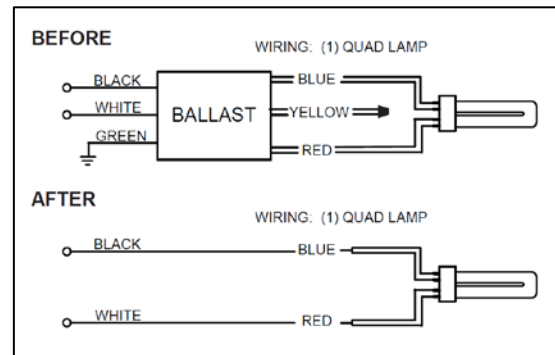


Figure 4. Retrofit with Two Lamps (G24q Base)

