

6" New Construction and Remodel LED Downlight Fixtures



MaxLite's LED downlights are great energy efficient solutions for recessed lighting applications. The new construction and remodel fixtures have been engineered to make installation in grid ceilings and dry wall ceilings a snap. Each recessed fixture is supplied with a performance-leading LED module and white trim ring that installs flush to the ceiling.

A high performance LED array emits industry leading lumen output, high CRI (85), and still delivers extended lifetime in excess of a 50,000 L70 measurement.

FEATURES:

- Fully dimmable down to 10 percent
- High lumen transmission and diffusing for even illumination
- CRI: >85
- Suitable for dry and wet locations
- Airtight rated – meets airtight requirements for 2.0 CFM or less air leakage
- Rated for direct insulation contact
- Supplied with internal thermal protection
- Universal voltage 120-277 volt
- Power factor: >.9
- Beam angle: 90 degree
- Available in 3000K and 5000K



RF614ICAT30W



RFR614ICAT30W

CONSTRUCTION:

- New construction housing includes 13" hanger bars, supplied with pre-installed nails: just hammer and go
- Impact-resistant plastic lens
- Housing and trim are gasketed to maximize building energy efficiency
- Hanger bars feature notches for easy installation to grid ceilings, which can be secured using wire or screws
- Remodel housing includes three push out mounting clips for easy installation
- Recessed housing is aluminum; new construction frame is steel

Luminaire Ordering Information:



| Watts | Order Number | Model Number | Lumens | CRI | L70 Lifetime (Hours) | Fixture Dimensions (W"x H" x L") | CCT |
|-------|--------------|---------------|--------|-----|----------------------|----------------------------------|------|
| 14 | 71781 | RF614ICAT30W | 900 | 85 | 35,000 | 7.6 x 7.5 x 10.4 | 3000 |
| 14 | 71783 | RF614ICAT50W | 1000 | 85 | 35,000 | 7.6 x 7.5 x 10.4 | 5000 |
| 14 | 71787 | RFR614ICAT30W | 900 | 85 | 35,000 | 6.1 x 7.5 x 12.8 | 3000 |
| 14 | 71789 | RFR614ICAT50W | 1000 | 85 | 35,000 | 6.1 x 7.5 x 12.8 | 5000 |

MAX12208

SPECIFICATIONS:

| Item | Specification | RF614ICAT30W | RF614ICAT50W | RFR614ICAT30W | RFR614ICAT50W |
|---------------------|---------------------------|---|--------------|------------------------|---------------|
| General Performance | Spacing Criteria | Available upon request | | Available upon request | |
| | Color Temperature | 3000K | 5000K | 3000K | 5000K |
| | Lumens Delivered | 900 | 1000 | 900 | 1000 |
| | Efficacy | 64 lm/w | 71 lm/w | 64 lm/w | 71 lm/w |
| | Color Consistency | Proprietary binning for uniform color | | | |
| | Lumen Maintenance (L70) | 50,000 Hours | | | |
| Physical | Dimensions (W" x H" x L") | 7.6" x 7.5" x 10.4" | | 6.1" x 7.5" x 12.8" | |
| | Weight | 1 lb. | | | |
| | Housing | Aluminum | | | |
| | Lens | Polycarbonate | | | |
| | Mounting | Hanger bars for joists or grid ceilings | | Mounting clips | |
| | Operating Temperature | -4°F to 113°F | | | |
| Certification | Certification | ETL, LM-79, LM-80 | | | |
| | Material Usage | RoHS compliant; no mercury | | | |
| | Environment | Indoor/Outdoor | | | |
| | Warranty | 5 Years | | | |

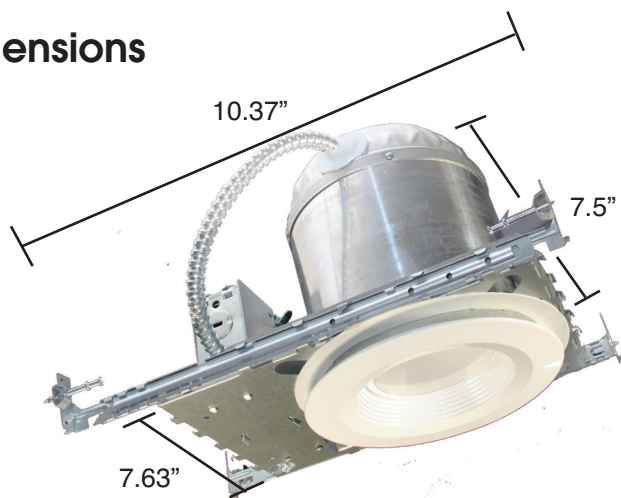
Approved Dimmers

120V Approved Dimmers

- Lutron: NovaT (Ntelv300 & 600)
Diva (Dvelv-300P & 303P)
- Leviton: Acenti: Ate06-1Lw
Trimatron: 703W

Consult tech. service or factory for additional dimmers

Dimensions



RF614ICAT30W



RFR614ICAT30W

6.12"
Width of inner can

