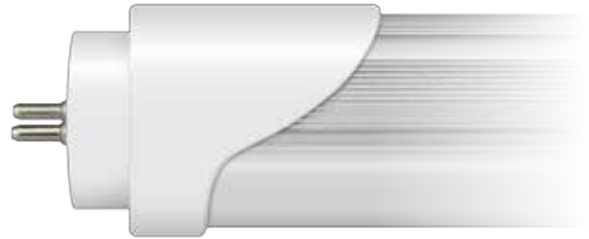


LED ET8-1150H

Part #: ELT8/D/20W/2100/120D/50K/G13/HD Lamp Class: T8 (4 ft.)



Product Description

LED ET8-1150H, 4ft. hybrid tube, replaces conventional linear fluorescent tubes, LED direct replacement and bypass ballast tubes by allowing compatibility with troffers that work with or without ballasts. Enjoy features such as: instant on, shatter resistance, mercury free.



Estimated Energy Cost: \$2.40 per year

*Note: Design, features and specifications subject to change without notice. Some features may not be available on all models. Please visit www.eurilighting.com or call 1-888-743-5766 for more information.

LED Hybrid Tube

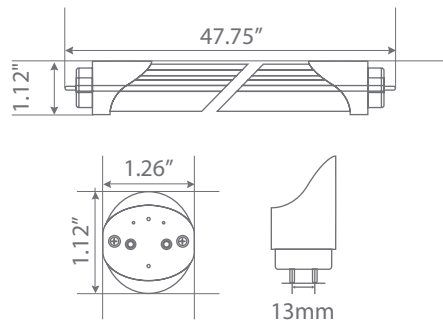
Specifications

Input Power	Input Voltage	Lumen Output	Beam Angle	Center Beam	CCT
20 W	AC100-277 V	2100 lm	124°	618 cd	5000 K
CRI	Luminous Efficacy	Power Factor	Input Current	Base/Cap	Lamp Lifespan
80	105 lm/W	0.9	0.08 A	G13	50,000 Hrs.

Product Features

-  Non-Dimmable
-  Instant-On/Off
-  Mercury Free
-  Energy Efficient

Product Dimensions



Product Photometric Data

